

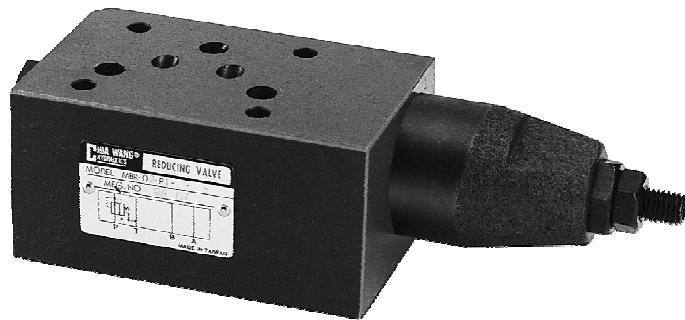
PRESSURE REDUCING MODULAR VALVES

MBR SERIES

積層型減壓閥

◆ MODEL 型 式

MBR-03



◆ FEATURES

- MBR series modular reducing valves can be used to reduce pressure the "P" port, "A" port, or "B" port.
- Casting iron bodies are provided strength and durability for longer life.
- Internal hardened steel components also provide durable life.
- Three standard pressure setting options are available.
- Two pressure adjustment options are: hex. screw or knob.

- 特 點
- MBR系列積層型減壓閥可使用 P孔、A孔、B孔 減少壓力。
- 閥本體鑄鐵強度夠且耐久性，壽命長。
- 內部硬鋼原件提高產品壽命。
- 三種標準壓力設定選擇。
- 六角螺絲或把手兩種壓力調整選擇。

◆ SPECIFICATIONS 規 格

Model Number 型式號碼	Maximum Pressure 最大壓力 bar	Connecting PT 適用管徑	Maximum Flow 最大流量 lpm	Weight 重量 Kg
MBR-03-P	315 (4500 psi)	3/8"	80 (21.10 gpm)	3.3 (7.3 lbs)
MBR-03-A				
MBR-03-B				
Fluid Type 流體型式		ISO VG 32, 46, 68		
Viscosity 黏性 cSt		10~400 (59~1854 SSU)		
Operating Temperature 操作溫度 °C		-15~70 (-5~158°F)		
Contamination Level 污染標準		ISO4406. 21/19/16 NAS1638,10		
Surface Treatment 表面處理		Zinc Phosphate Compound 鋅 磷酸鹽 化合物		

- All screws with metric measure , if require inch measure , please contact us.

所附螺絲皆為公制標準規格品，若需英制螺絲請另外備註說明。

◆ HOW TO ORDER 編號說明

1	2	3	4	5	6	7
MBR	—	03	—	P	—	1 — * — * — 20

1 VALVE SERIES 系列名稱

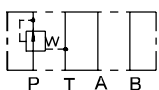
MBR=Pressure Reducing Modular Valves

2 SUBPLATE MOUNTING SIZE: 稱呼口徑

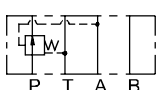
03= 3/8"(9mm)
ISO CETOP5
DIN NG 10
NFPA D05

3 CONTROL PORT(S) 動作形式

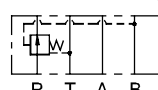
P=P Port Only



A=A Port Only



B=B Port Only



4 PRESSURE ADJUSTMENT 壓力調整範圍

1. 8 ~ 70 (bar)
2. 10~140 (bar)
3. 10~250 (bar)

5 SHAPE 調整部形狀

NONE:TOOL ADJUST 無：工具調整式
K:HAND-BAR ADJUST K：手把調整式

6 ORIENTATION 調整部方向

NONE:B ORIENTATION (Standard) 無：B方向(標準型)
L:A ORIENTATION L：A方向

7 DESIGN NO 設計編號

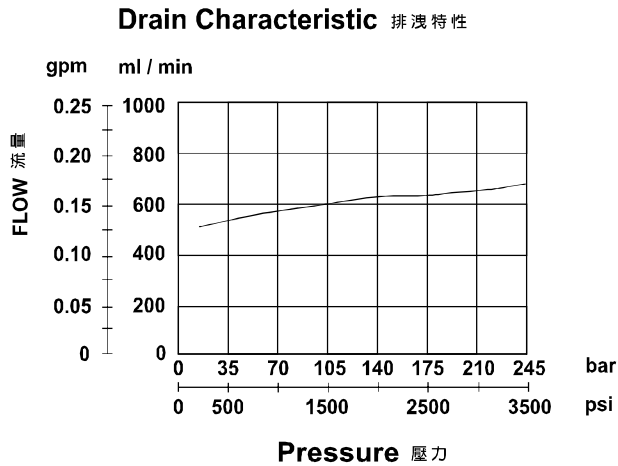
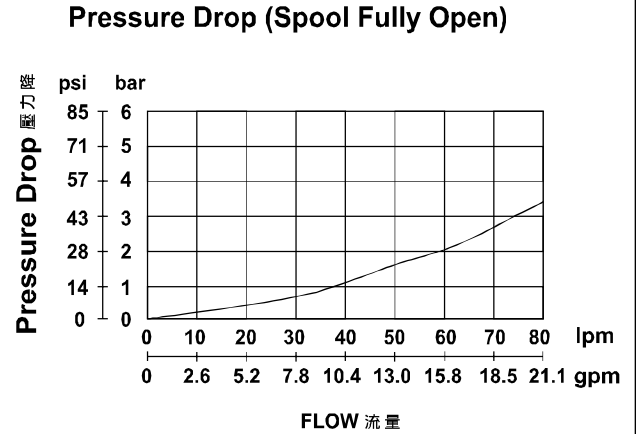
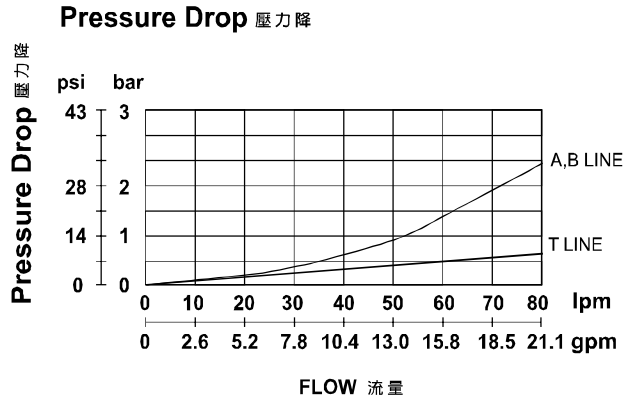
◆ PERFORMANCE 性能

Test Conditions 測試條件

Oil Temperature 油溫度: 50°C(122°F)

Viscosity 黏度: 35 cSt (163 SSU)

MBR-03



● Pressure Setting

Facing to adjustment screw or knob, clockwise increasing pressure, counterclockwise decreasing pressure. Please tighten hex. nut or plastic setting nut after pressure adjusted.

● 壓力設定:

調整螺絲或把手順時鐘方向調整壓力增強，逆時鐘方向調整壓力減弱。
壓力調整後請鎖緊六角螺帽或塑膠安裝螺帽。

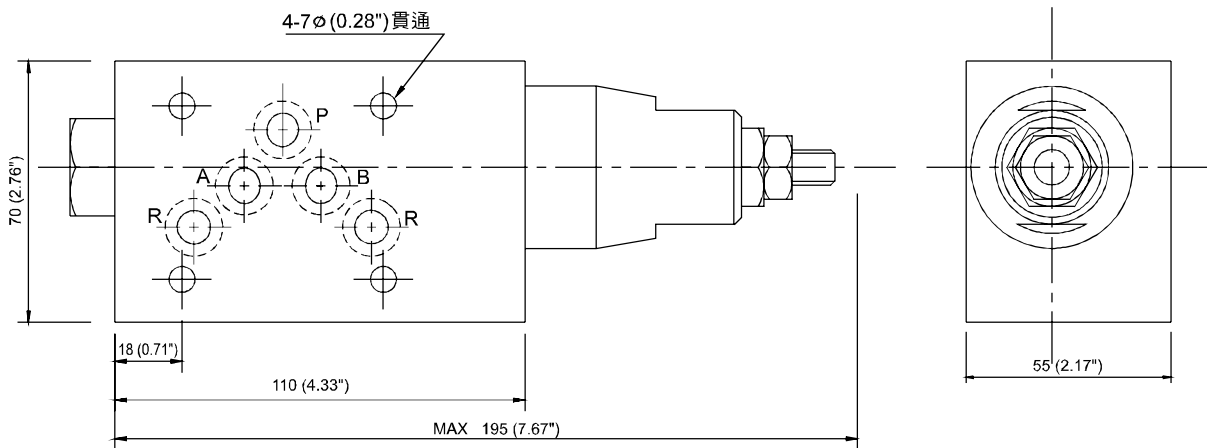
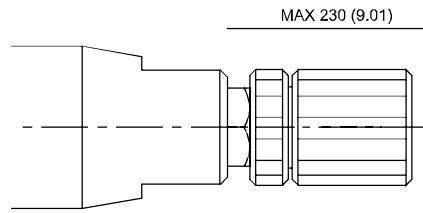
PRESSURE REDUCING MODULAR VALVES

MBR SERIES

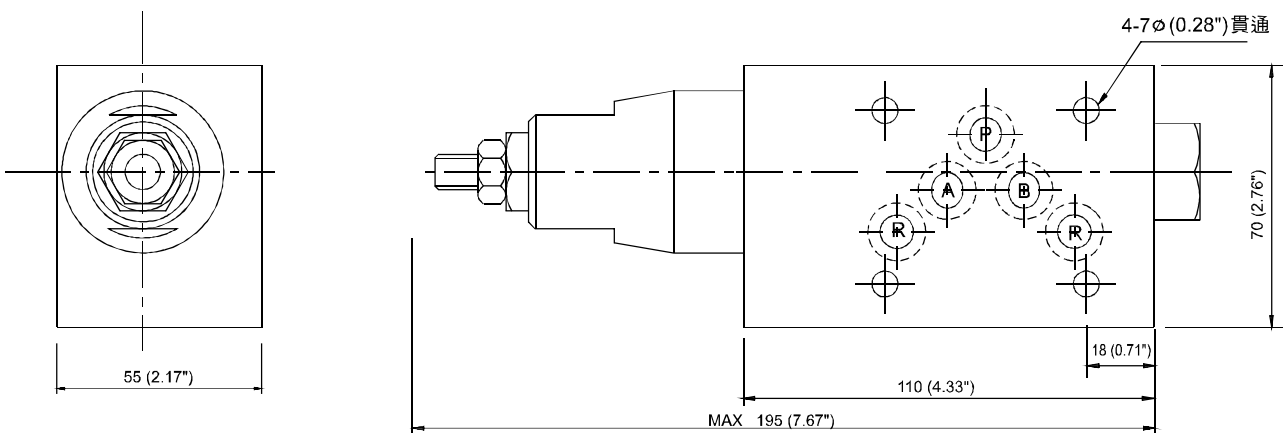
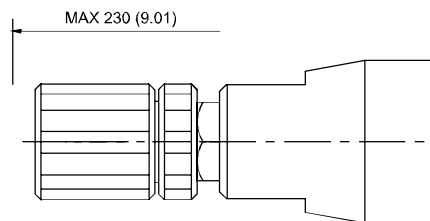
積層型減壓閥

◆ DIMENSIONS 外型尺寸圖

MBR-03-**-20



MBR-03-**-L-20



B
MBR

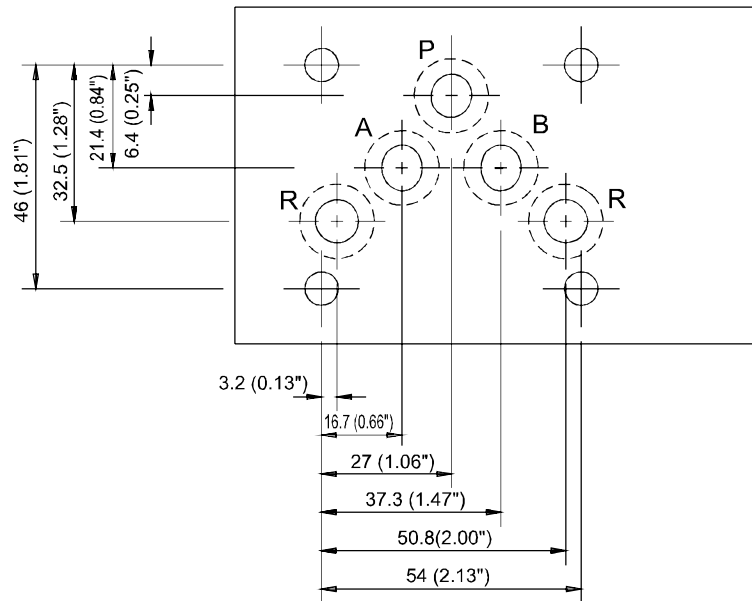
PRESSURE REDUCING MODULAR VALVES

積層型減壓閥

MBR SERIES

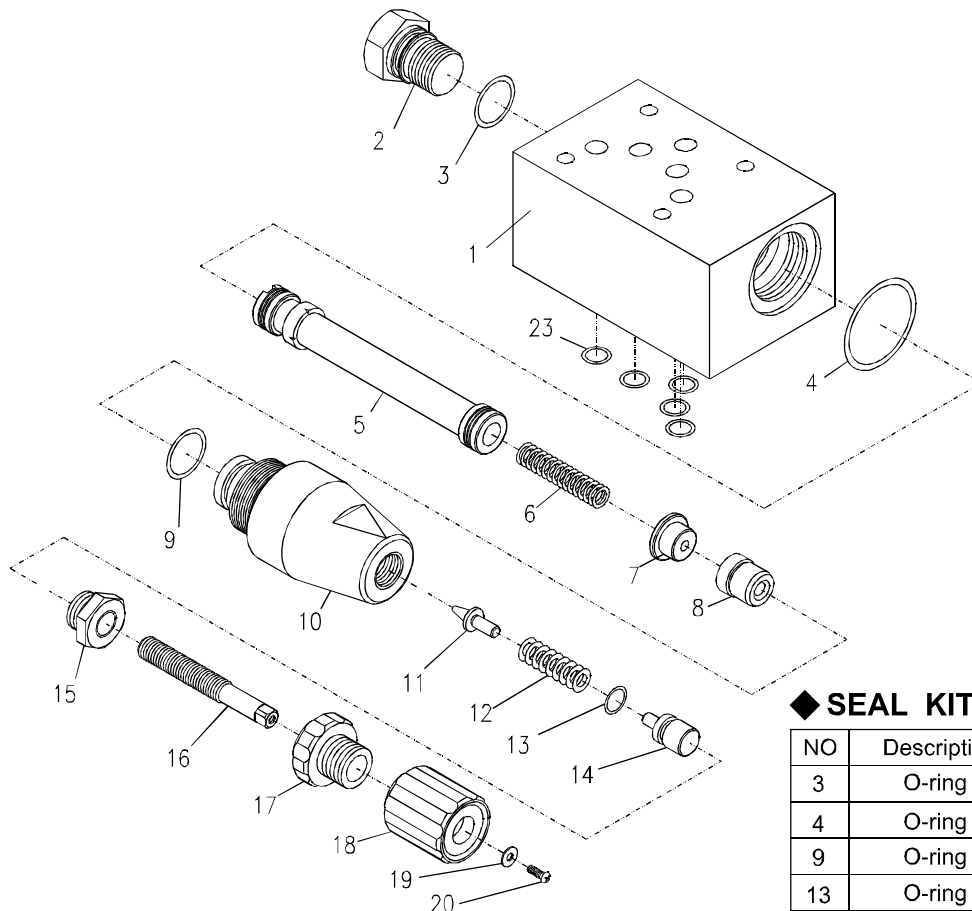
◆ Mounting Interface 基座尺寸圖

ISO 4401-AC-05-4-A



B
MBR

◆ PARTS LIST OF MBR-03 SERIES 零件爆炸視圖



◆ SEAL KITS 油封配件

NO	Description	Q'ty	Specification
3	O-ring	1	P18
4	O-ring	1	G35
9	O-ring	1	P18
13	O-ring	1	P9
25	O-ring	5	P12