

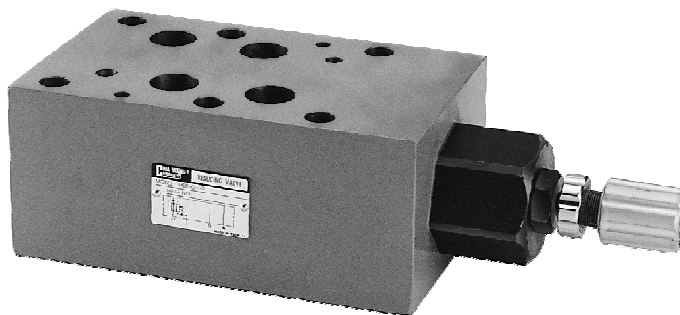
PRESSURE REDUCING MODULAR VALVES

積層型減壓閥

MBR SERIES

◆ MODEL 型 式

MBR-06



◆ FEATURES

- MBR series modular reducing valves can be used to reduce pressure the "P" port, "A" port, or "B" port.
- Casting iron bodies are provided strength and durability for longer life.
- Internal hardened steel components also provide durable life.
- Three standard pressure setting options are available.
- Two pressure adjustment options are: hex. screw or knob.

- 特 點
- MBR系列積層型減壓閥可使用 P孔、A孔、B孔 減少壓力。
- 閥本體鑄鐵強度夠且耐久性，壽命長。
- 內部硬鋼原件提高產品壽命。
- 三種標準壓力設定選擇。
- 六角螺絲或把手兩種壓力調整選擇。

◆ SPECIFICATIONS 規 格

Model Number 型式號碼	Maximum Pressure 最大壓力 bar	Connecting PT 通用管徑	Maximum Flow 最大流量 lpm	Weight 重量 Kg
MBR-06-P	315 (4500 psi)	3/4"	190 (50.19 gpm)	11.6 (25.6 lbs)
MBR-06-A				
MBR-06-B				
Fluid Type 流體型式		ISO VG 32, 46, 68		
Viscosity 黏性 cSt		10~400 (59~1854 SSU)		
Operating Temperature 操作溫度 °C		-15~70 (-5~158 °F)		
Contamination Level 污染標準		ISO4406. 21/19/16 NAS1638,10		
Surface Treatment 表面處理		Zinc Phosphate Compound 鋅 磷酸鹽 化合物		

- All screws with metric measure , if require inch measure , please contact us.
所附螺絲皆為公制標準規格品，若需英制螺絲請另外備註說明。

◆ HOW TO ORDER 編號說明

1	2	3	4	5	6
MBR	— 06 —	P	1	— * —	20

1 VALVE SERIES 系列名稱
MBR=Pressure Reducing Modular Valves

2 SUBPLATE MOUNTING SIZE: 稱呼口徑
06= 3/4"(19mm)
ISO CETOP8
DIN NG 25
NFPA D08

3 CONTROL PORT(S) 動作形式

P=P Port Only A=A Port Only B=B Port Only

4 PRESSURE ADJUSTMENT 壓力調整範圍

1. 8 ~ 70 (bar)
2. 8~140 (bar)
3. 10~250 (bar)

5 SHAPE 調整部形狀

NONE:TOOL ADJUST 無：工具調整式
K:HAND-BAR ADJUST K：手把調整式

6 DESIGN NO 設計編號

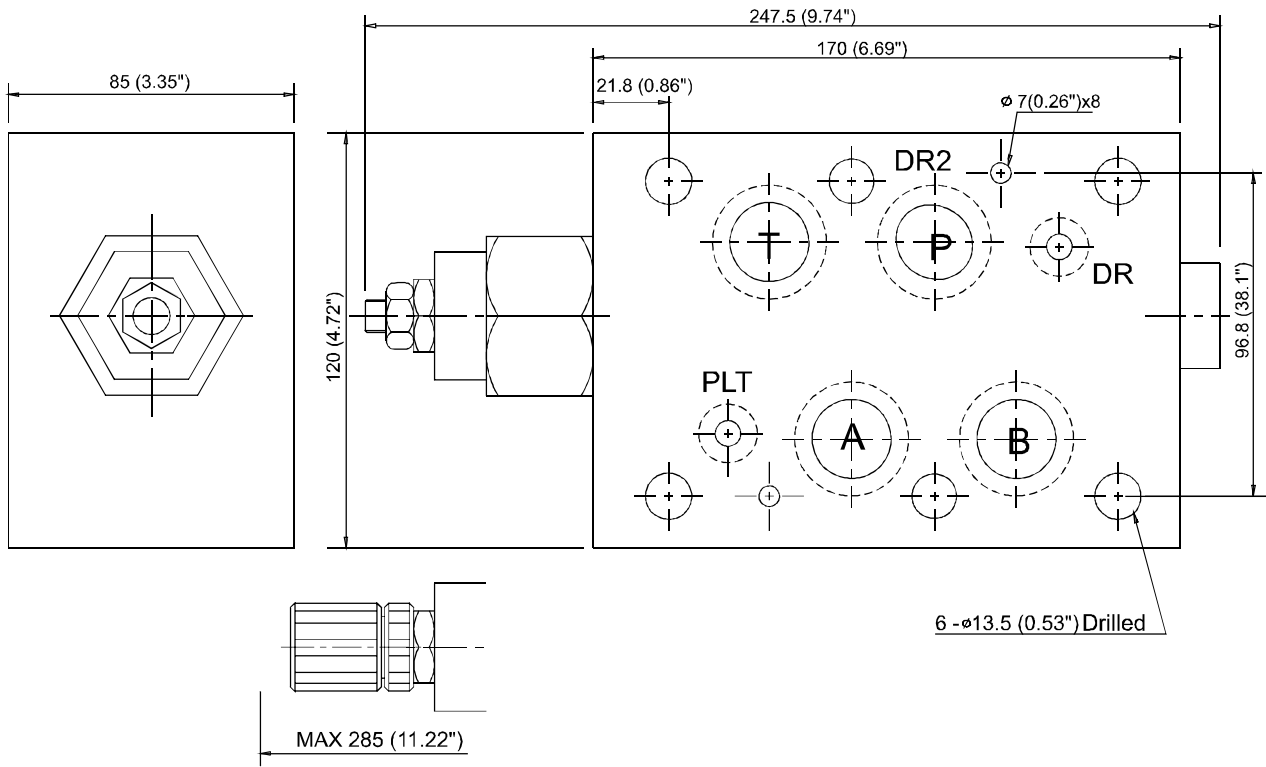
PRESSURE REDUCING MODULAR VALVES

MBR SERIES

積層型減壓閥

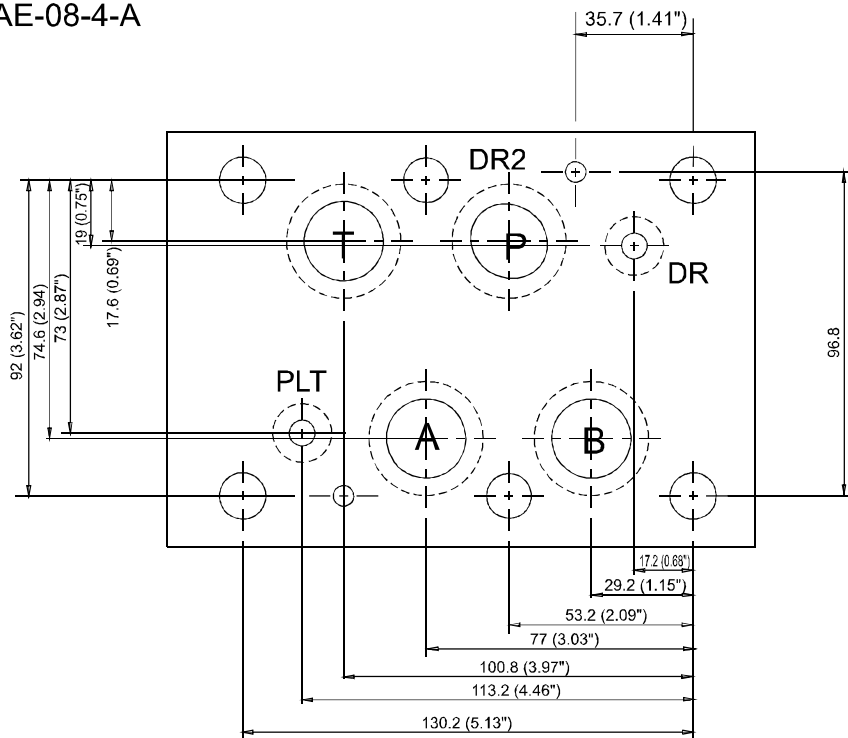
◆ DIMENSIONS 外型尺寸圖

MBR-06-**-20

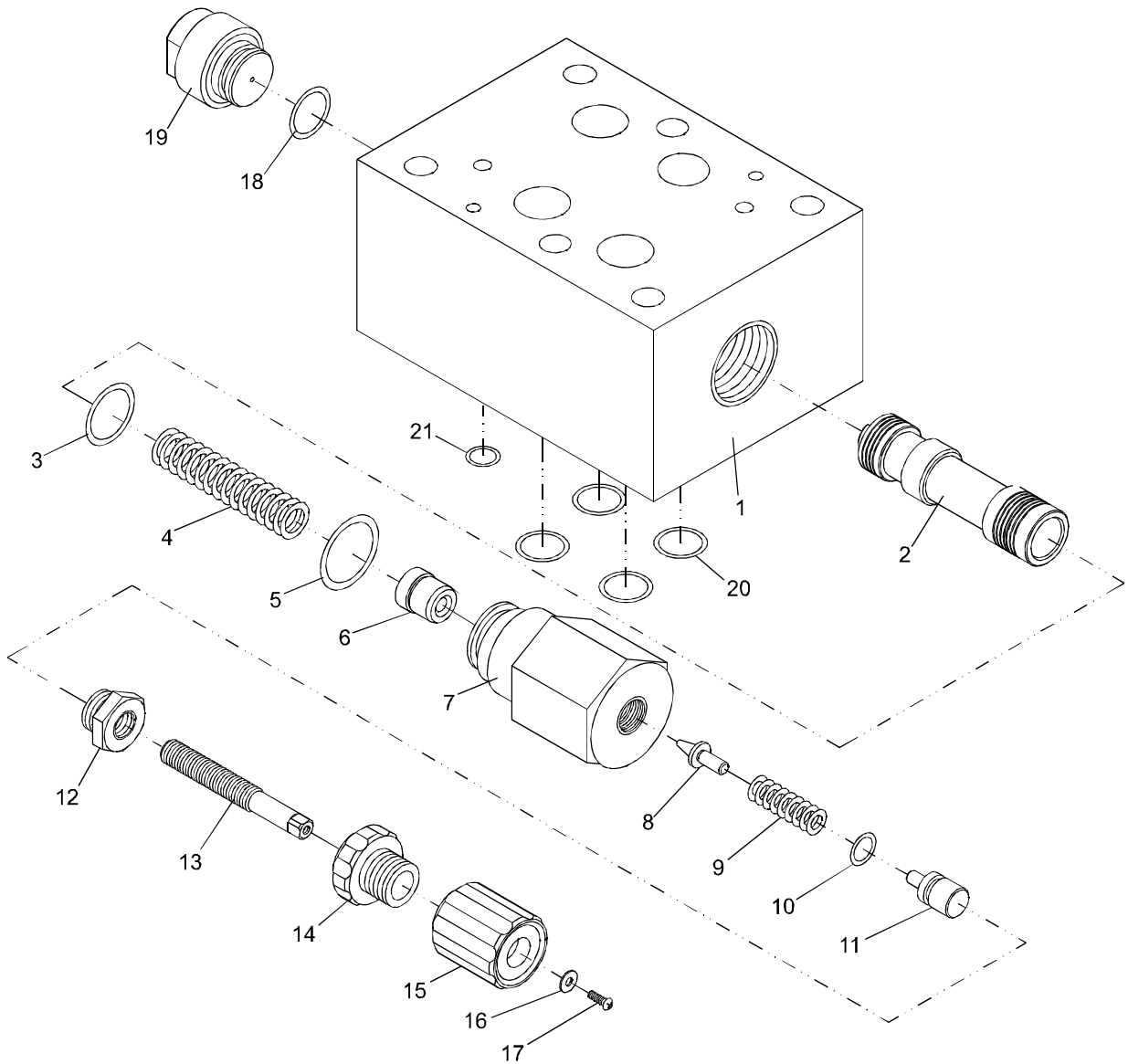


◆ Mounting Interface 基座尺寸圖

ISO 4401-AE-08-4-A



◆ PARTS LIST OF MBR-06 SERIES 零件爆炸視圖



◆ SEAL KITS 油封配件

NO	Description	Q'ty	Specification
3	O-ring	1	G25
5	O-ring	1	P35
10	O-ring	1	P9
18	O-ring	1	P21
20	O-ring	4	P28
21	O-ring	2	P14