

# PRESSURE REDUCING MODULAR VALVES

**MBRG SERIES**

積層型減壓閥

## ◆ MODEL 型式

MBRG-02



## ◆ FEATURES

- MBRG series modular reducing valves can be used to reduce pressure on the "P" port, "A" port, or "B" port.
- Casting iron valve bodies are provided strength and durability for longer life.
- Internal hardened steel components also provide durable life.
- Three standard pressure setting options are available.
- Two pressure adjustment options are: hex. screw or knob.

- 特點
- MBRG系列積層型減壓閥可使用 P孔、A孔、B孔 減少壓力。
- 閥本體鑄鐵強度夠且耐久性，壽命長。
- 內部硬鋼原件提高產品壽命。
- 三種標準壓力設定選擇。
- 六角螺絲或把手兩種壓力調整選擇。

## ◆ SPECIFICATIONS 規格

Model Number 型式號碼	Maximum Pressure 最大壓力 bar	Connecting PT 通用管徑	Maximum Flow 最大流量 lpm	Weight 重量 Kg
MBRG-02-P, A, B	350 (5076 psi)	1/4"	40 (10.56 gpm)	1.9 (4.2 lbs)
Fluid Type 流體型式		ISO VG 32, 46, 68		
Viscosity 黏性 cSt		10~400 (59~1854 SSU)		
Operating Temperature 操作溫度 °C		-30~100 (-22~212 °F)		
Contamination Level 污染標準		ISO4406. 21/19/16 NAS1638,10		
Surface Treatment 表面處理		Zinc Phosphate Compound 鋅磷酸鹽化合物		

- All screws with metric measure, if require inch measure, please contact us.  
所附螺絲皆為公制標準規格品，若需英制螺絲請另外備註說明。

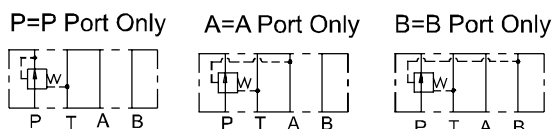
## ◆ HOW TO ORDER 編號說明

1	2	3	4	5	6
MBRG	— 02	— P	1	— *	— 20

**1 VALVE SERIES** 系列名稱  
MBRG=Pressure Reducing Modular Valves

**2 SUBPLATE MOUNTING SIZE:** 稱呼口徑  
02 =1/4"(6mm)  
ISO CETOP3  
DIN NG 6  
NFPA D03

**3 CONTROL PORT(S)** 動作形式



**4 PRESSURE ADJUSTMENT** 壓力調整範圍

1. 1.5~70 (bar)
2. 8~140 (bar)
3. 8~250 (bar)
4. 10~320 (bar)

**5 SHAPE** 調整部形狀  
NONE:TOOL ADJUST 無：工具調整式  
K:HAND-BAR ADJUST K：手把調整式

**6 DESIGN NO** 設計編號

# PRESSURE REDUCING MODULAR VALVES

積層型減壓閥

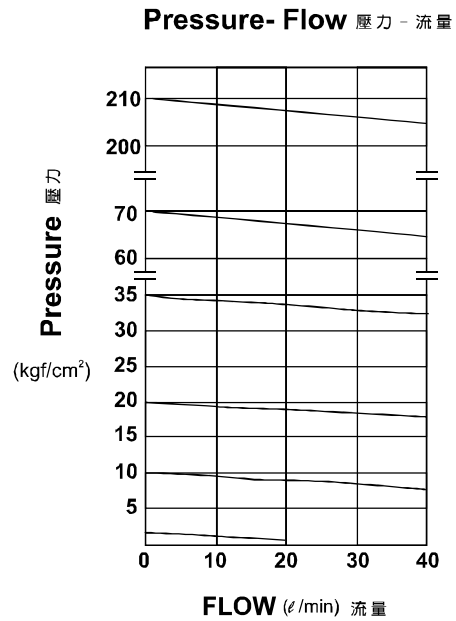
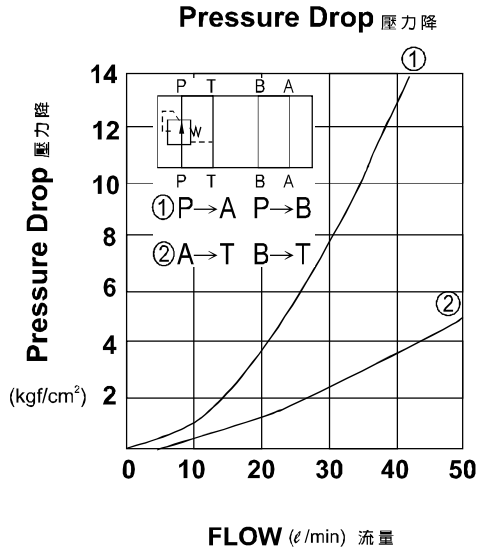
MBRG SERIES

## ◆ PERFORMANCE 性能

Test Conditions 測試條件

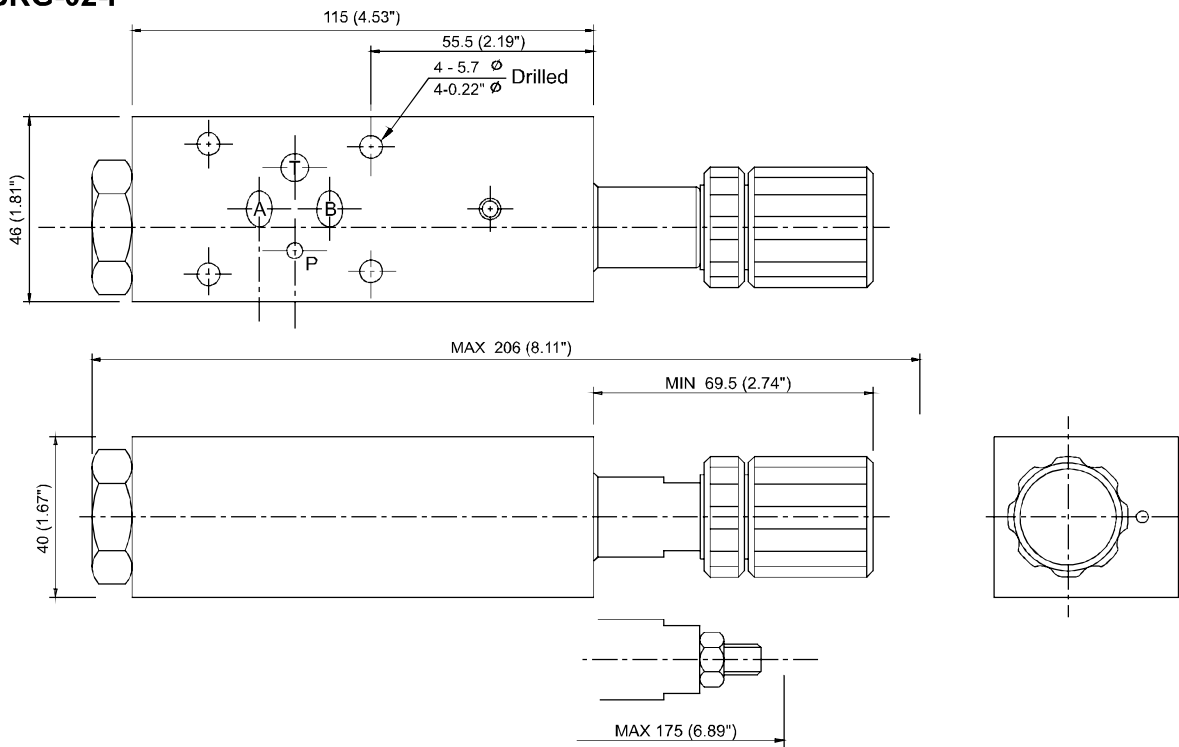
Oil Temperature 油溫度: 50°C (122°F)

Viscosity 黏度: 35 cSt (163 SSU)



## ◆ DIMENSIONS 外型尺寸圖

### MBRG-02-P



**B**  
MBRG

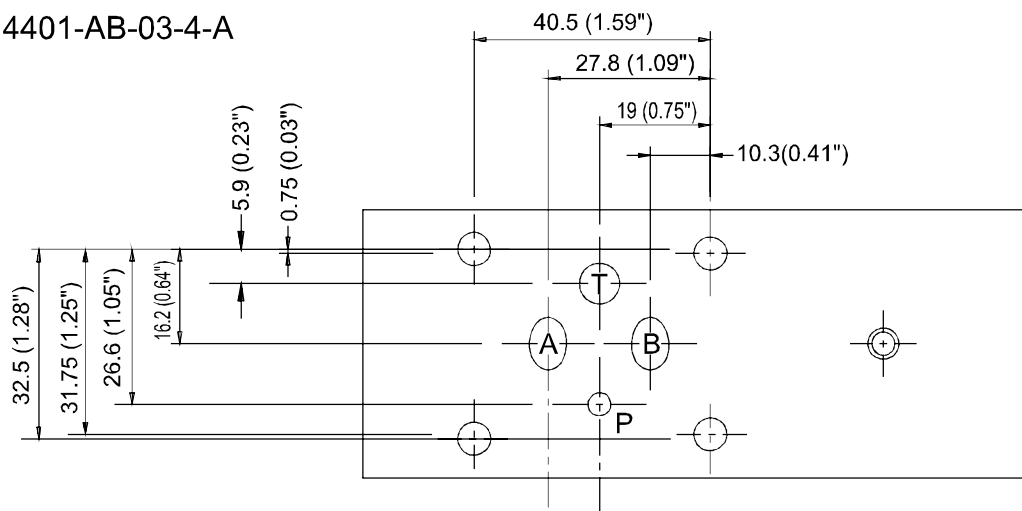
# PRESSURE REDUCING MODULAR VALVES

**MBRG SERIES**

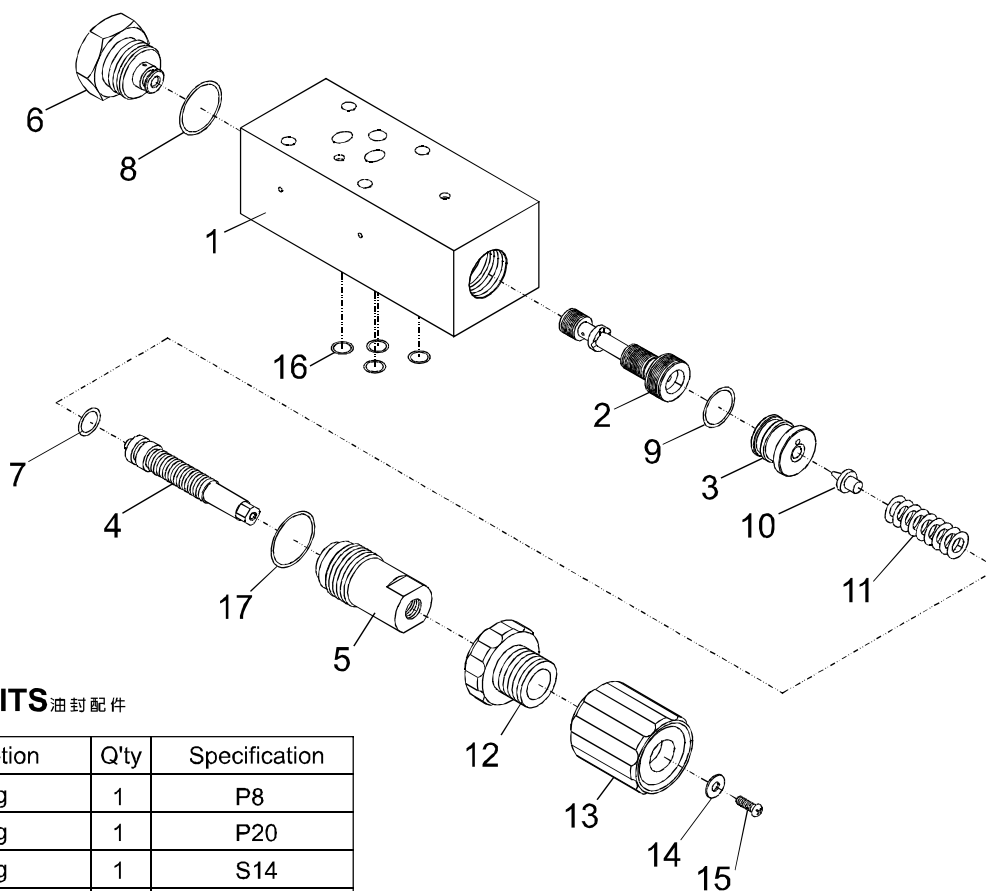
積層型減壓閥

## ◆ Mounting Interface 基座尺寸圖

ISO 4401-AB-03-4-A



## ◆ PARTS LIST OF MBRG-02 SERIES 零件爆炸視圖



## ◆ SEAL KITS 油封配件

NO	Description	Q'ty	Specification
7	O-ring	1	P8
8	O-ring	1	P20
9	O-ring	1	S14
16	O-ring	4	P9
17	O-ring	1	P16