

PRESSURE REDUCING MODULAR VALVES

積層型減壓閥

MBRG SERIES

◆ MODEL 型 式

MBRG-03



◆ FEATURES

- MBRG series modular reducing valves can be used to reduce pressure on the "P" port, "A" port, or "B" port.
- Casting iron valve bodies are provided strength and durability for longer life.
- Internal hardened steel components also provide durable life.
- Three standard pressure setting options are available.
- Two pressure adjustment options are: hex. screw or knob.

- 特 點
- MBRG系列積層型減壓閥可使用 P孔、A孔、B孔 減少壓力。
- 閥本體鑄鐵強度夠且耐久性，壽命長。
- 內部硬鋼原件提高產品壽命。
- 三種標準壓力設定選擇。
- 六角螺絲或把手兩種壓力調整選擇。

◆ SPECIFICATIONS 規 格

Model Number 型式號碼	Maximum Pressure 最大壓力 bar	Connecting PT 適用管徑	Maximum Flow 最大流量 lpm	Weight 重量 Kg
MBRG-03-P, A, B	350 (5076 psi)	3/8"	120 (31.70 gpm)	3.8 (8.4 lbs)
Fluid Type 流體型式		ISO VG 32, 46, 68		
Viscosity 黏性 cSt		10~400 (59~1854 SSU)		
Operating Temperature 操作溫度 °C		-30~100 (-22~212 °F)		
Contamination Level 污染標準		ISO4406. 21/19/16 NAS1638,10		
Surface Treatment 表面處理		Zinc Phosphate Compound 鋅 磷酸鹽 化合物		

- All screws with metric measure, if require inch measure, please contact us.
所附螺絲皆為公制標準規格品，若需英制螺絲請另外備註說明。

◆ HOW TO ORDER 編號說明

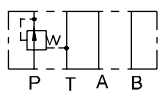
1	2	3	4	5	6
MBRG	— 03	— P	1	— *	— 20

1 VALVE SERIES 系列名稱
MBRG=Pressure Reducing Modular Valves

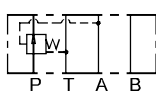
2 SUBPLATE MOUNTING SIZE: 稱呼口徑
03 = 3/8"(9mm)
ISO CETOP5
DIN NG 10
NFPA D05

3 CONTROL PORT(S) 動作形式

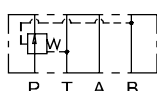
P=P Port Only



A=A Port Only



B=B Port Only



4 PRESSURE ADJUSTMENT 壓力調整範圍

1. 1.5~70 (bar)
2. 8~140 (bar)
3. 8~250 (bar)
4. 8~315 (bar)

5 SHAPE 調整部形狀

NONE:TOOL ADJUST 無：工具調整式
K:HAND-BAR ADJUST K：手把調整式

6 DESIGN NO 設計編號

PRESSURE REDUCING MODULAR VALVES

MBRG SERIES

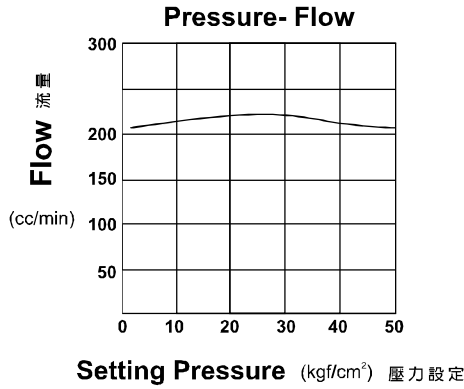
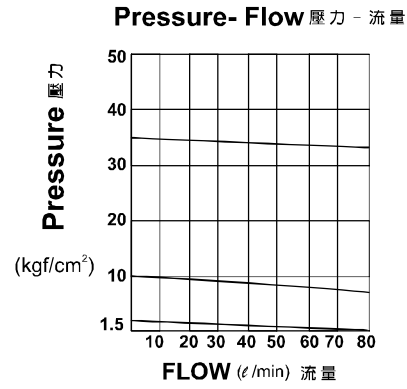
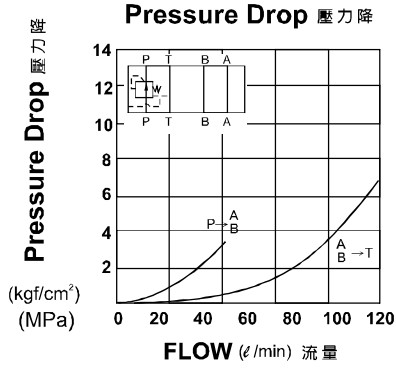
積層型減壓閥

◆ PERFORMANCE 性能

Test Conditions 測試條件

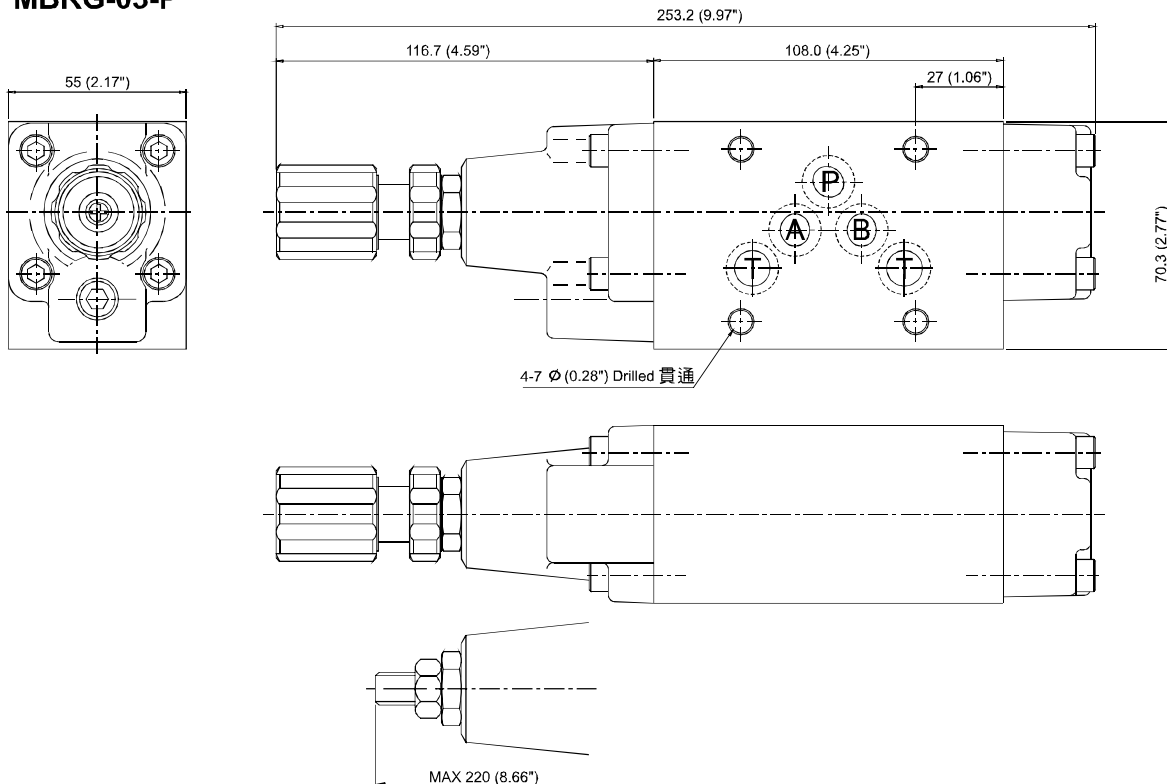
Oil Temperature 油溫度: 50°C (122°F)

Viscosity 黏度: 35 cSt (163 SSU)



◆ DIMENSIONS 外型尺寸圖

MBRG-03-P



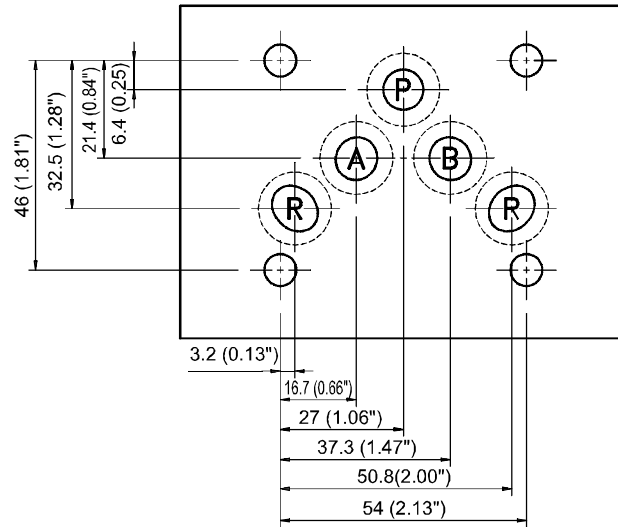
PRESSURE REDUCING MODULAR VALVES

積層型減壓閥

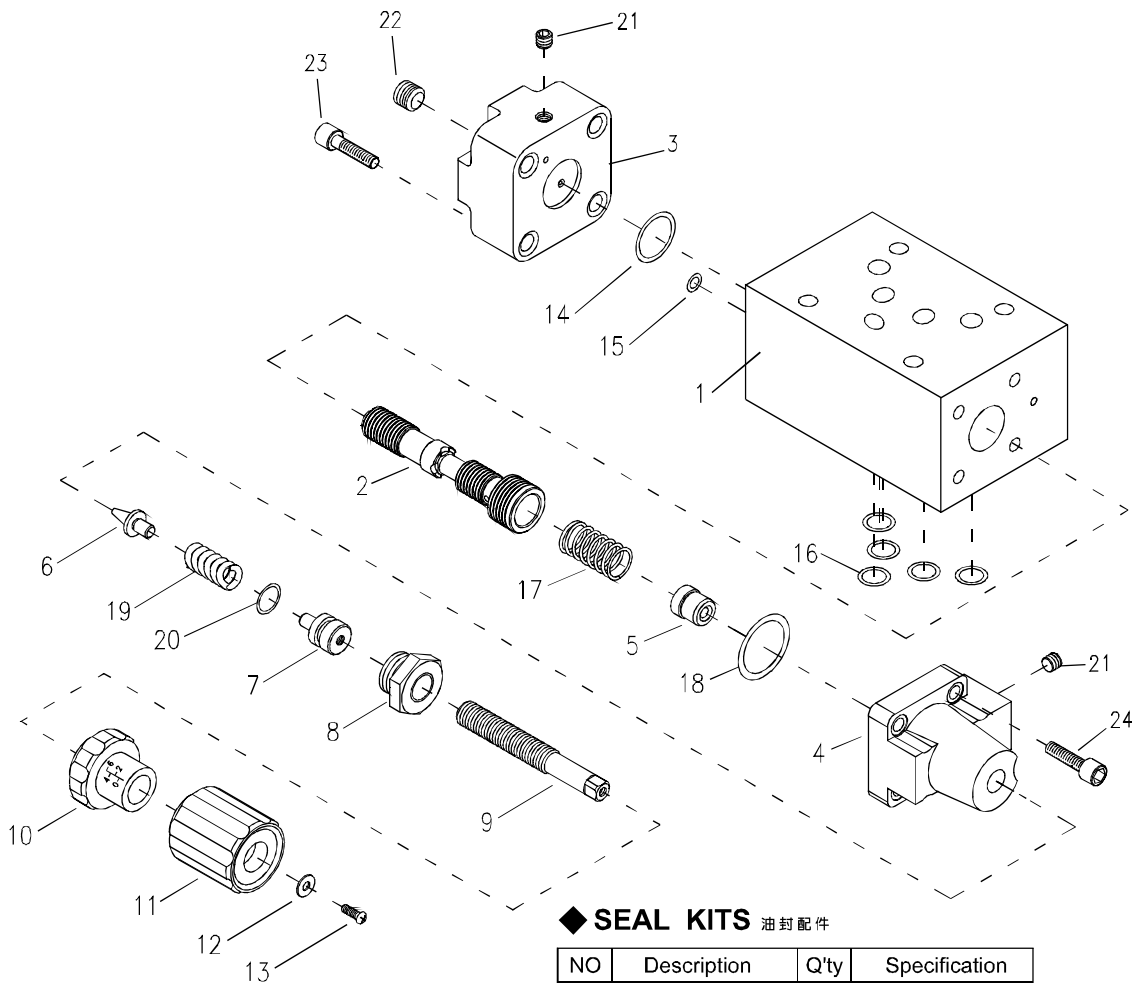
MBRG SERIES

◆ Mounting Interface 基座尺寸圖

ISO 4401-AC-05-4-A



◆ PARTS LIST OF MBRG-03G SERIES 零件爆炸視圖



◆ SEAL KITS 油封配件

NO	Description	Q'ty	Specification
14	O-ring	1	P22
15	O-ring	1	P6
16	O-ring	5	P12
18	O-ring	1	P28
20	O-ring	1	P11

B
MBRG