

◆ MODEL 型 式

MCB-02



◆ FEATURES

- MCB series modular counterbalance valves can be used to reduce pressure on the "A" port, or "B" port.
- Casting iron valve bodies are provided strength and durability for longer life.
- Internal hardened steel components also provide durable life.
- Two standard pressure setting options are available.
- Two pressure adjustment options are: hex. screw or knob.

- 特 點
- MCB系列精層型抗衡閥可應用 A訊、B訊 抗衡壓力。
- 閥本體鑄鐵強度與且持久性、壽命長。
- 內部硬鋼零件提高產品壽命。
- 二種標準壓力設定選擇。
- 六角螺絲或把手兩種壓力調整選擇。

◆ SPECIFICATIONS 規 格

Model Number 型式號碼	Maximum Pressure 最大壓力 bar	Connecting PT 適用管徑	Maximum Flow 最大流量 lpm	Weight 重量 Kg
MCB-02-A, B	250 (3625 psi)	1/4"	40 (10.56 gpm)	1.5 (3.3 lbs)
Fluid Type 液體型式			ISO VG 32, 46, 68	
Viscosity 黏性 cSt			10~400 (59~1854 SSU)	
Operating Temperature 操作溫度 °C			-15~70 (-5~158 °F)	
Contamination Level 污染標準			ISO4406. 21/19/16 NAS1638,10	
Surface Treatment 表面處理			Zinc Phosphate Compound 鋅磷酸鹽 化合物	

● All screws with metric measure, if require inch measure, please contact us.

所附螺絲皆為公制標準規格型。若需英制螺絲請另外備註說明。

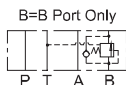
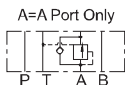
◆ HOW TO ORDER 編號說明

1	2	3	4	5	6
MCB	02	B	1	*	20

1 VALVE SERIES 系列名稱
MCB=Counterbalance Modular Valves

2 SUBPLATE MOUNTING SIZE: 補口直徑
02 =1/4*(6mm)
ISO CETOP3
DIN NG 6
NFPA D03

3 ACTION FORM 動作形式



4 PRESSURE ADJUSTMENT 壓力調整範圍
1. 7~70 (bar)
2. 10~210 (bar)

5 SHAPE 調整器形狀
NONE:TOOL ADJUST 無; 工具調整式
K:HAND-BAR ADJUST K; 手把調整式

6 DESIGN NO 設計編號

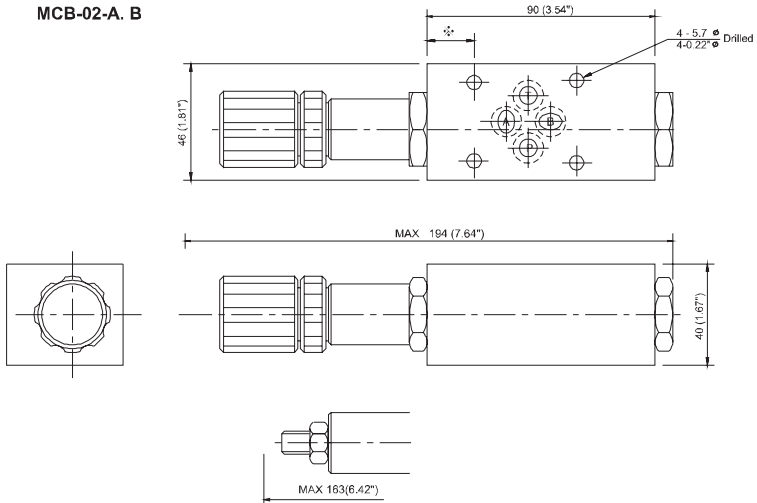
COUNTERBALANCE MODULAR VALVES

MCB SERIES

積層型抗衡閥

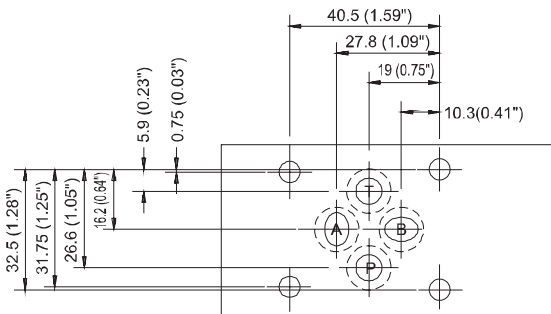
◆ DIMENSIONS 外形尺寸圖

MCB-02-A. B

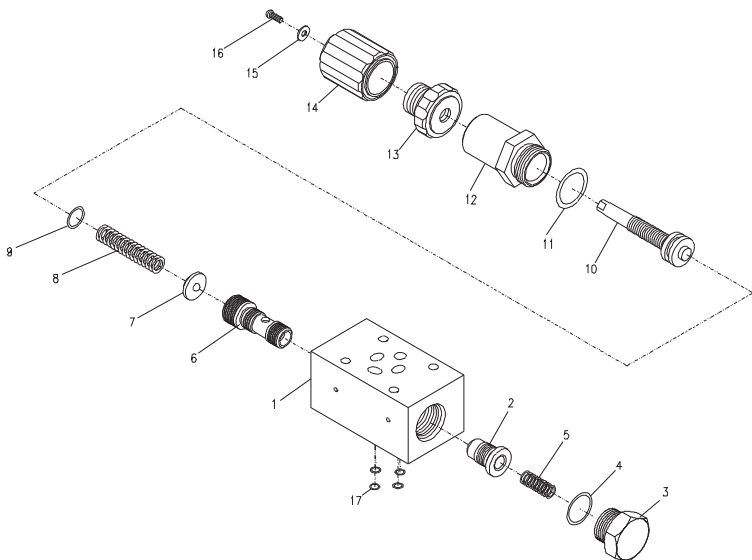


◆ Mounting Interface 基準尺寸圖

ISO 4401-AB-03-4-A



◆ PARTS LIST OF MCB-02 SERIES 零件爆炸視圖



◆ SEAL KITS 密封配件

NO	Description	Q'ty	Specification
4	O-ring	1	P18
9	O-ring	1	P22
11	O-ring	1	P14
17	O-ring	4	P9