

COUNTERBALANCE MODULAR VALVES

MCB SERIES

積層型抗衡閥

◆ MODEL 型 式

MCB-03B



◆ FEATURES

- MCB series modular counter balance valves can be used to reduce pressure on the "A" port, or "B" port.
- Casting iron valve bodies are provided strength and durability for longer life.
- Internal hardened steel components also provide durable life.
- Two standard pressure setting options are available.
- Two pressure adjustment options are: hex. screw or knob.

- 特 點
- MCB系列積層型抗衡閥可使用A孔、B孔、調整壓力。
- 鑄本體精確強韌且耐久性、壽命長。
- 內部硬鋼原件提高產品壽命。
- 二種標準壓力設定選擇。
- 六角螺絲或把手兩種壓力調整選擇。

◆ SPECIFICATIONS 規 格

Model Number 型式號碼	Maximum Pressure 最大壓力 bar	Connecting PT 適用管徑	Maximum Flow 最大流量 lpm	Weight 重量 Kg
MCB-03-A, B	250 (3625 psi)	3/8"	80 (21.13 gpm)	4.5 (9.9 lbs)
Fluid Type 液體型式			ISO VG 32, 46, 68	
Viscosity 黏性 cSt			10~400 (59~1854 SSU)	
Operating Temperature 操作溫度 °C			-15~70 (-5~158°F)	
Contamination Level 污染標準			ISO4406. 21/19/16 NAS1638,10	
Surface Treatment 表面處理			Zinc Phosphate Compound 鋅 磷 酸 鹽 化 合 物	

● All screws with metric measure, if require inch measure, please contact us.

所有螺絲皆為公制標準規格品，若需英制螺絲請另外備註說明。

◆ HOW TO ORDER 編號說明

1	2	3	4	5	6
MCB	03	B	1	*	20

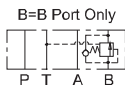
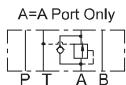
1 VALVE SERIES 系列名稱

MCB=Counterbalance Modular Valves

2 SUBPLATE MOUNTING SIZE: 插口直徑

03 = 3/8"(9mm)
ISO CETOP5
DIN NG 10
NFPA D05

3 ACTION FORM 動作形式



4 PRESSURE ADJUSTMENT 壓力調整範圍

1. 10~70 (bar)
2. 35~210 (bar)

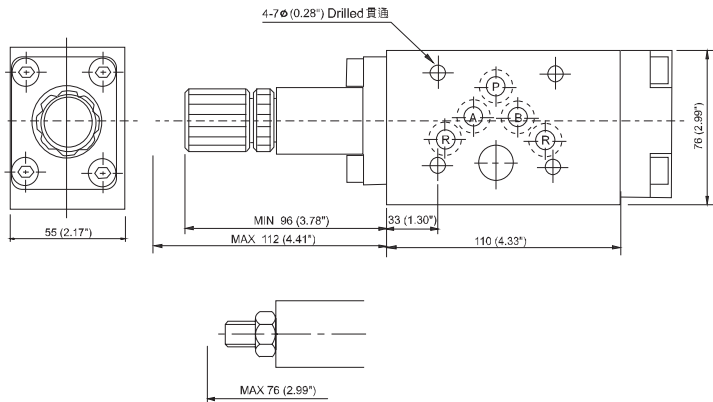
5 SHAPE 調整部形狀

NONE: TOOL ADJUST 無：工具調整式
K: HAND-BAR ADJUST K：手把調整式

6 DESIGN NO 設計編號

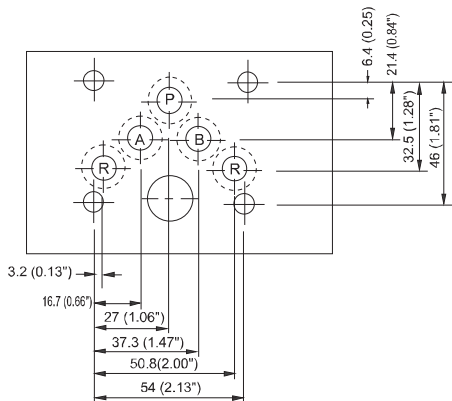
◆ DIMENSIONS 外型尺寸圖

MCB-03-A, B



◆ Mounting Interface 基座尺寸圖

ISO 4401-AC-05-4-A

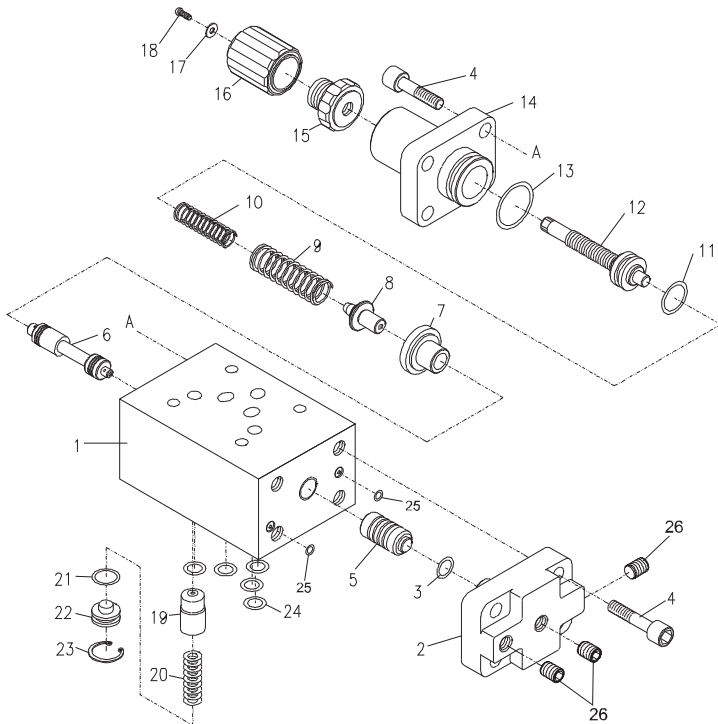


COUNTERBALANCE MODULAR VALVES

MCB SERIES

積層型抗衡閥

◆ PARTS LIST OF MCB-03 SERIES 零件爆炸視圖



◆ SEAL KITS 油封配件

NO	Description	Q'ty	Specification
3	O-ring	1	P10A
11	O-ring	1	P16
13	O-ring	1	G25
21	O-ring	1	P12
24	O-ring	5	P12
25	O-ring	2	P6

ACCESSORIES 附屬配件

4	HEX COUNTER-SINK SCREW	8	M8 x 1.25 x 25L
---	------------------------	---	-----------------