

COUNTERBALANCE MODULAR VALVES

MCB SERIES

積層型抗衡閥

◆ MODEL 型 式

MCB-06B



◆ FEATURES

- MCB series modular counter balance valves can be used to reduce pressure on the "A" port, or "B" port.
- Casting iron valve bodies are provided strength and durability for longer life.
- Internal hardened steel components also provide durable life.
- Two standard pressure setting options are available.
- Two pressure adjustment options are: hex. screw or knob.

- 特 點
- MCB系列積層型抗衡閥可使用 A孔、B孔 抗衡壓力。
- 鑄本體結構強度與自耐久性、壽命長。
- 內部硬鋼零件提高產品壽命。
- 二種標準壓力設定選擇。
- 六角螺絲或把手兩種壓力調整選擇。

◆ SPECIFICATIONS 規 格

| Model Number 型式號碼 | Maximum Pressure 最大壓力 bar | Connecting PT 適用管徑 | Maximum Flow 最大流量 lpm | Weight 重量 Kg |
|--------------------------------------|------------------------------|-----------------------|-------------------------------------|-----------------|
| MCB-06-A, B | 315 (4500 psi) | 3/4" | 190 (50.19 gpm) | 14 (30.9 lbs) |
| Fluid Type 液體型號 | | | ISO VG 32, 46, 68 | |
| Viscosity 黏性 cSt | | | 10~400 (59~1854 SSU) | |
| Operating Temperature 操作溫度 °C | | | -15~70 (-5~158 °F) | |
| Contamination Level 污染標準 | | | ISO4406. 21/19/16 NAS1638,10 | |
| Surface Treatment 表面處理 | | | Zinc Phosphate Compound 磷 鋅 磷 化 化 物 | |

- All screws with metric measure, if require inch measure, please contact us.

所有螺絲皆為公制標準規格品，若需英制螺絲請另外備註說明。

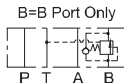
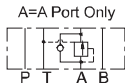
◆ HOW TO ORDER 編號說明

| | | | | | |
|-----|----|---|---|---|----|
| 1 | 2 | 3 | 4 | 5 | 6 |
| MCB | 06 | B | 1 | * | 20 |

1 VALVE SERIES 系列名稱
MCB=Counterbalance Modular Valves

2 SUBPLATE MOUNTING SIZE: 插口直徑
06= 3/4"(19mm)
ISO CETOP8
DIN NG 25
NFPA D08

3 ACTION FORM 動作形式



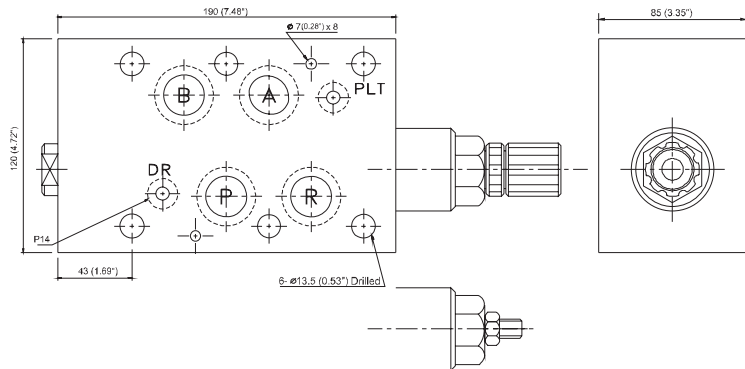
4 PRESSURE ADJUSTMENT 壓力調整範圍
1. 10~70 (bar)
2. 30~210 (bar)

5 SHAPE 調整部形狀
NONE: TOOL ADJUST 無：工具調整式
K: HAND-BAR ADJUST K：手把調整式

6 DESIGN NO 設計編號

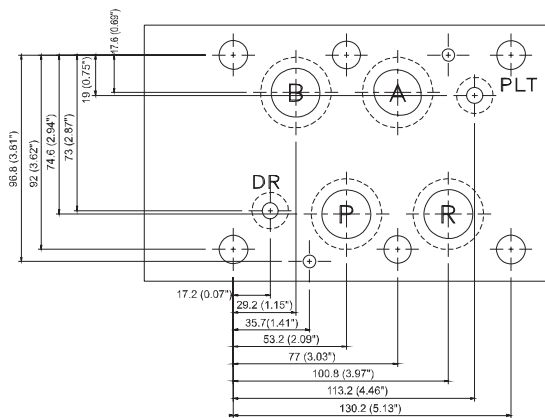
◆ DIMENSIONS 外型尺寸圖

MCB-06-A. B



◆ Mounting Interface 基座尺寸圖

ISO 4401-AE-08-4-A

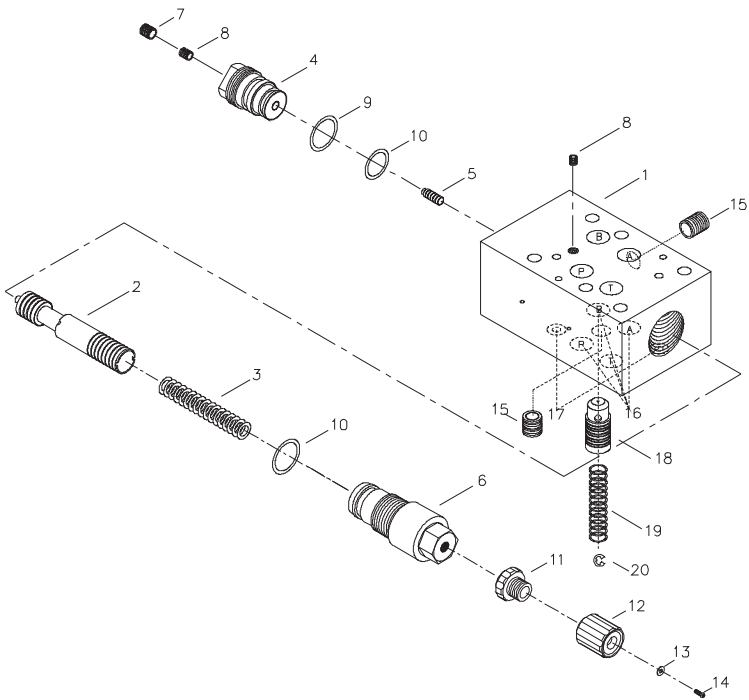


COUNTERBALANCE MODULAR VALVES

MCB SERIES

積層型抗衡閥

◆ PARTS LIST OF MCB-06 SERIES 零件爆炸視圖



◆ SEAL KITS 油封配件

| NO | Description | Q'ty | Specification |
|----|-------------|------|---------------|
| 9 | O-ring | 1 | G30 |
| 10 | O-ring | 2 | G25 |
| 16 | O-ring | 4 | P28 |
| 17 | O-ring | 2 | P14 |