

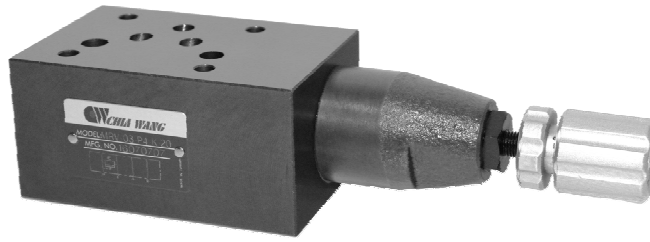
RELIEF MODULAR VALVES

MRV SERIES

積層型調壓閥

◆ MODEL 型 式

MRV-03



◆ FEATURES

- MRV series modular relief valves can be used to efficiently restrict the "P" port, "A" port, or "B" port or the pressure from "A" and "B" port to the oil tank.
- Casting iron valve bodies are provided strength and durability for longer life.
- Internal hardened steel components also provide durable life.
- Three standard pressure setting options are available.
- Two pressure adjustment options are: hex. screw or knob.

- 特 點
- MRV系列積層型調壓閥可使用 P孔、A孔、B孔 或 A-B孔至油箱和A-B孔交叉有效的限制壓力。
- 閥本體鑄鐵強度夠且耐久性，壽命長。
- 內部硬鋼原件提高產品壽命。
- 三種標準壓力設定選擇。
- 六角螺絲或把手兩種壓力調整選擇。

◆ SPECIFICATIONS 規 格

Model Number 型式號碼	Maximum Pressure 最大壓力 bar	Connecting PT 適用管徑	Maximum Flow 最大流量 lpm	Weight 重量 Kg
MRV-03-P, A, B	315 (4500 psi)	3/8"	80 (21.13 gpm)	3.3 (7.3 lbs)
MRV-03-W				3.9 (8.6 lbs)
MRV-03-D			30 (7.925gpm)	4.8 (10.6 lbs)
MRV-03-AD				4 (8.8 lbs)
MRV-03-BD				
Fluid Type 流體型式		ISO VG 32 , 46 , 68		
Viscosity 黏性 cSt		10~400 (59~1854 SSU)		
Operating Temperature 操作溫度 °C		-15~70 (-5~158 °F)		
Contamination Level 污染標準		ISO4406. 21/19/16 NAS1638,10		
Surface Treatment 表面處理		Zinc Phosphate Compound 鋅 磷酸鹽 化合物		

- All screws with metric measure , if require inch measure , please contact us.
所附螺絲皆為公制標準規格品，若需英制螺絲請另外備註說明。

◆ HOW TO ORDER 編號說明

1	2	3	4	5	6	7
MRV	03	P	1	K	L	20

1 VALVE SERIES 系列名稱

MRV=Relief Modular Valves

4 PRESSURE ADJUSTMENT 壓力調整範圍

- | | |
|----------------------|--------------------|
| P . A . B . W | D . AD . BD |
| 1. *~ 70 (bar) | 1. *~ 70 (bar) |
| 2. 8~140 (bar) | 3. 10~250(bar) |
| 3. 10~250 (bar) | |
| 4. 10~315 (bar) | |

2 SUBPLATE MOUNTING SIZE: 稱呼口徑

03 = 3/8"(9mm)
ISO CETOP5
DIN NG 10
NFPA D05

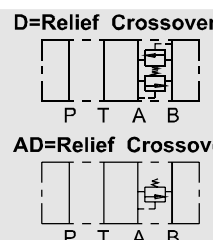
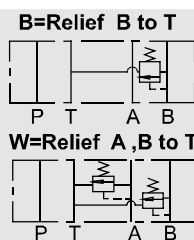
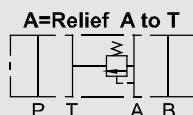
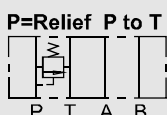
5 SHAPE 調整部形狀

NONE: TOOL ADJUST 無：工具調整式
K: HAND-BAR ADJUST K：手把調整式

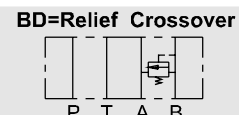
6 ORIENTATION 調整部方向

NONE: B ORIENTATION (Standard)
L: A ORIENTATION
無：B方向(標準型)
L：A方向

3 CONTROL PORT(S) 動作形式



7 DESIGN NO 設計編號



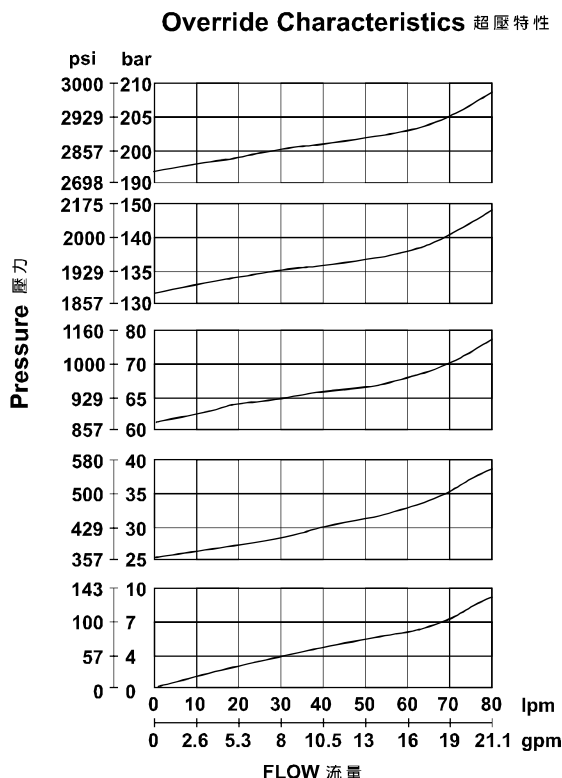
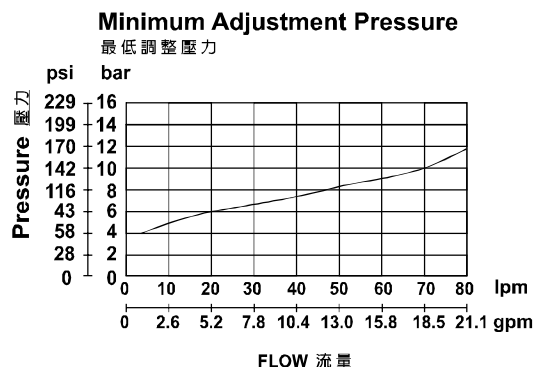
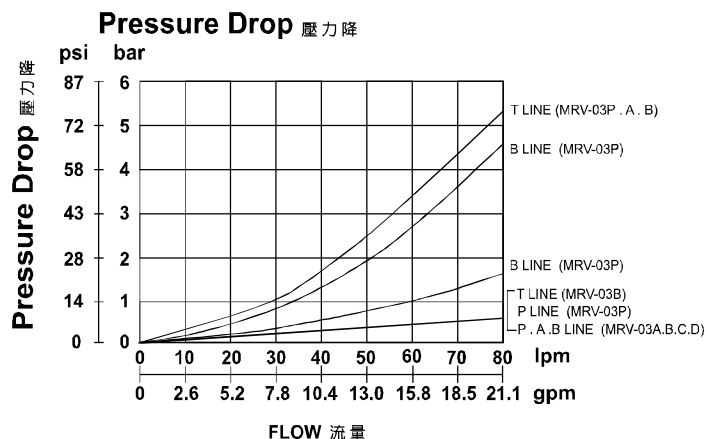
◆ PERFORMANCE 性能

Test Conditions 測試條件

Oil Temperature 油溫度: 50°C (122°F)

Viscosity 黏度: 35 cSt (163 SSU)

MRV-03



● Pressure Setting

Facing to adjustment screw or knob, clockwise increasing pressure, counterclockwise decreasing pressure. Please tighten hex. nut or plastic setting nut after pressure adjusted.

● 壓力設定:

調整螺絲或把手順時鐘方向調整壓力增強, 逆時鐘方向調整壓力減弱。

壓力調整後請鎖緊六角螺帽或塑膠安裝螺帽。

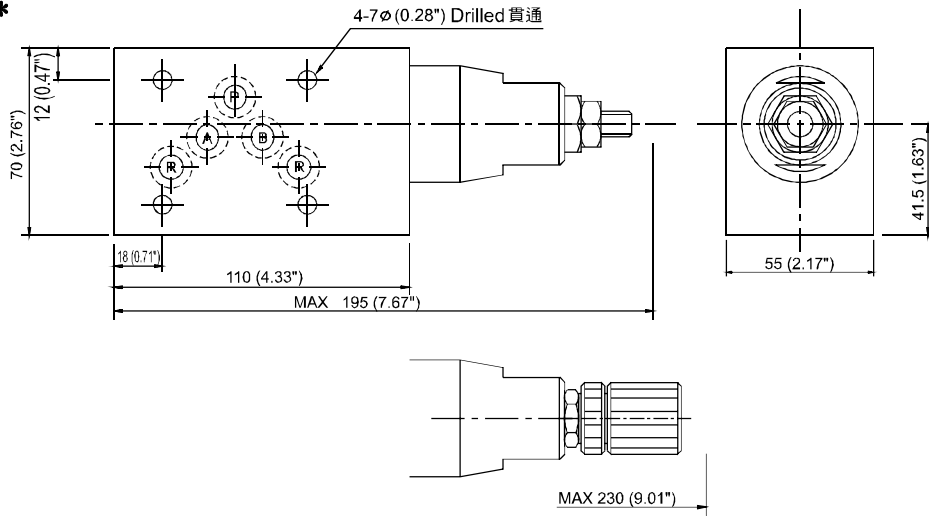
RELIEF MODULAR VALVES

MRV SERIES

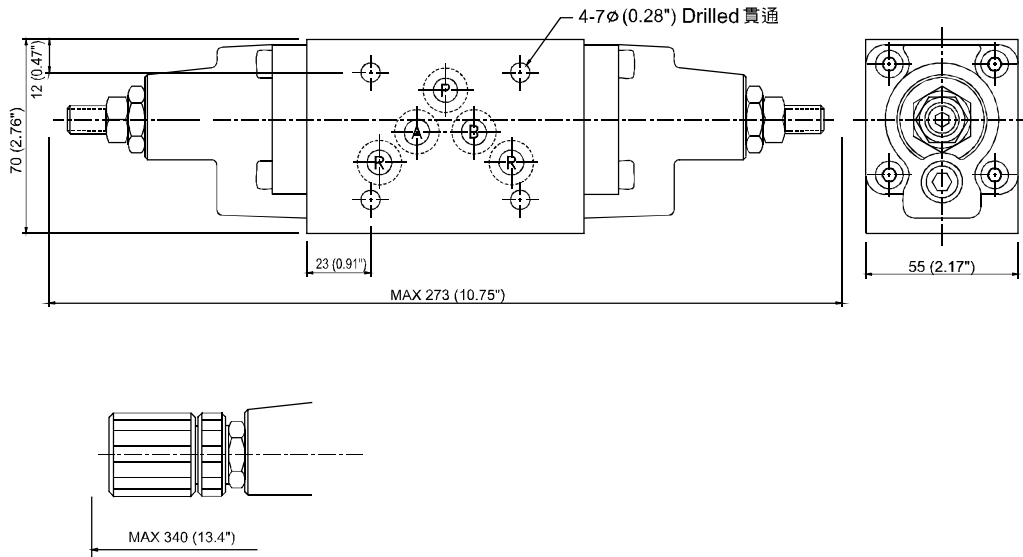
積層型調壓閥

◆ DIMENSIONS 外型尺寸圖

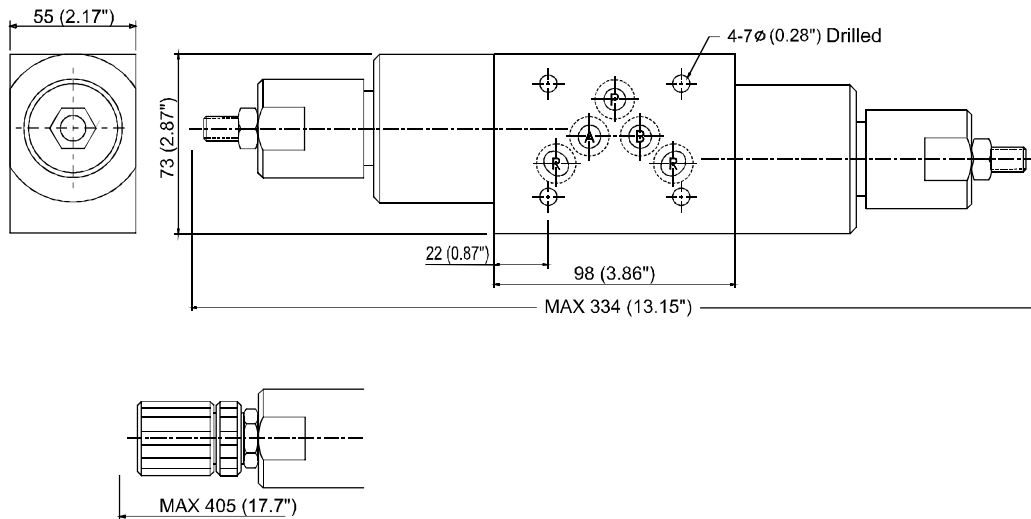
MRV-03-*



MRV-03-W

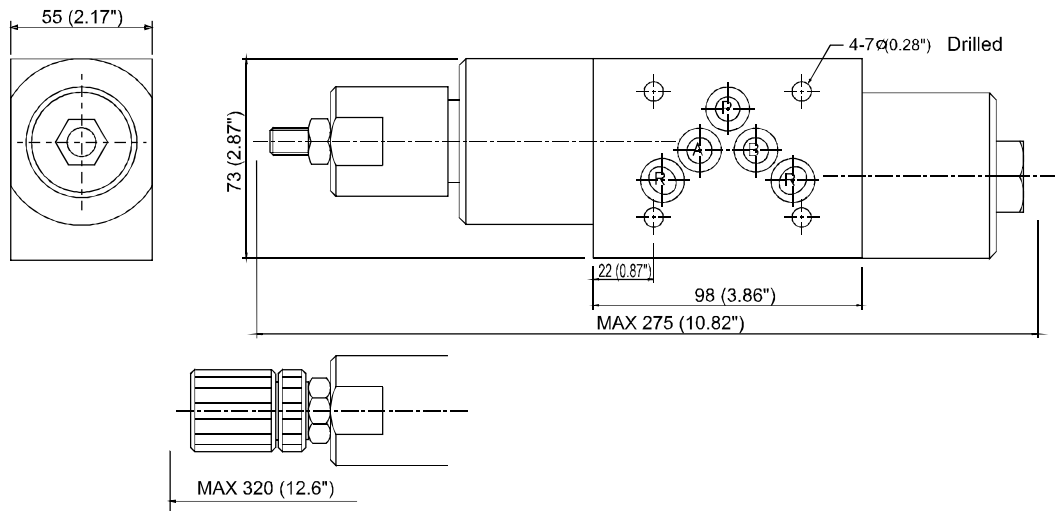


MRV-03-D

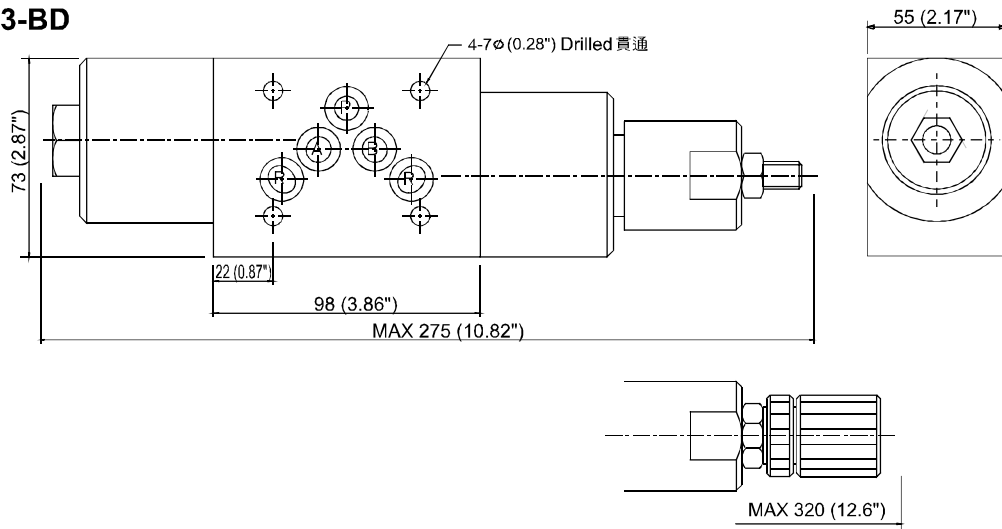


◆ DIMENSIONS 外型尺寸圖

MRV-03-AD

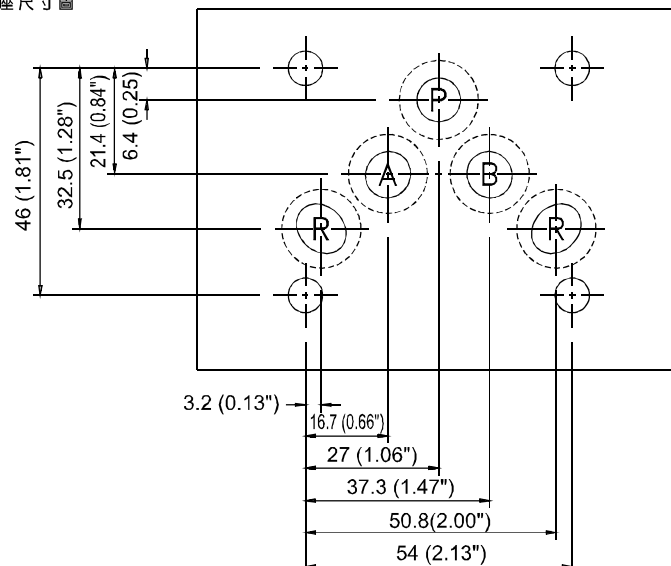


MRV-03-BD



◆ Mounting Interface 基座尺寸圖

ISO 4401-AC-05-4-A



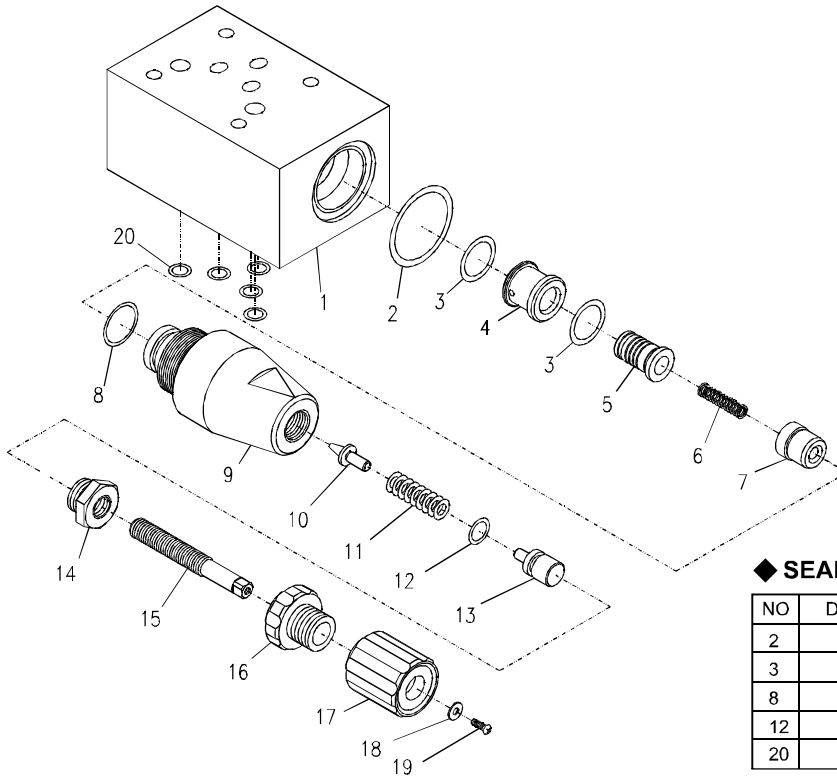
RELIEF MODULAR VALVES

MRV SERIES

積層型調壓閥

◆ PARTS LIST OF MRV-03P

零件爆炸視圖

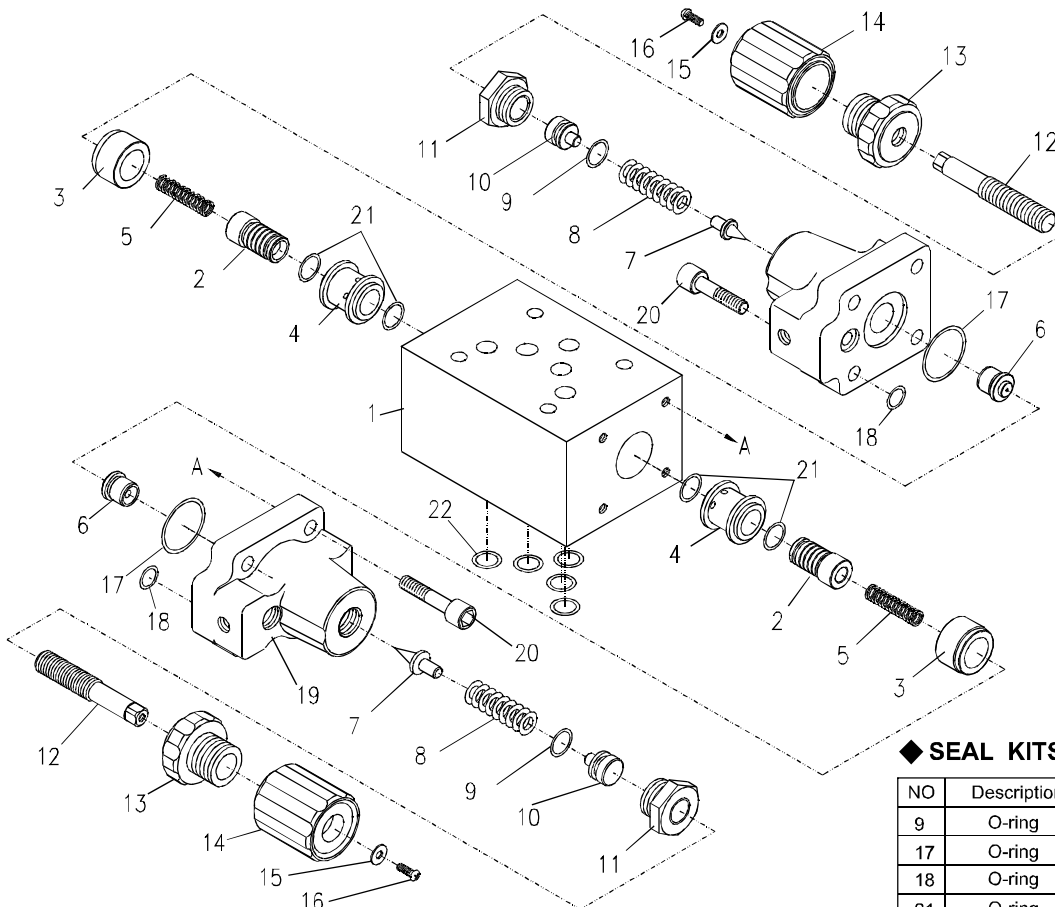


◆ SEAL KITS 油封配件

NO	Description	Q'ty	Specification
2	O-ring	1	G35
3	O-ring	2	P18
8	O-ring	1	P18
12	O-ring	1	P9
20	O-ring	5	P12

◆ PARTS LIST OF MRV-03W 零件爆炸視圖

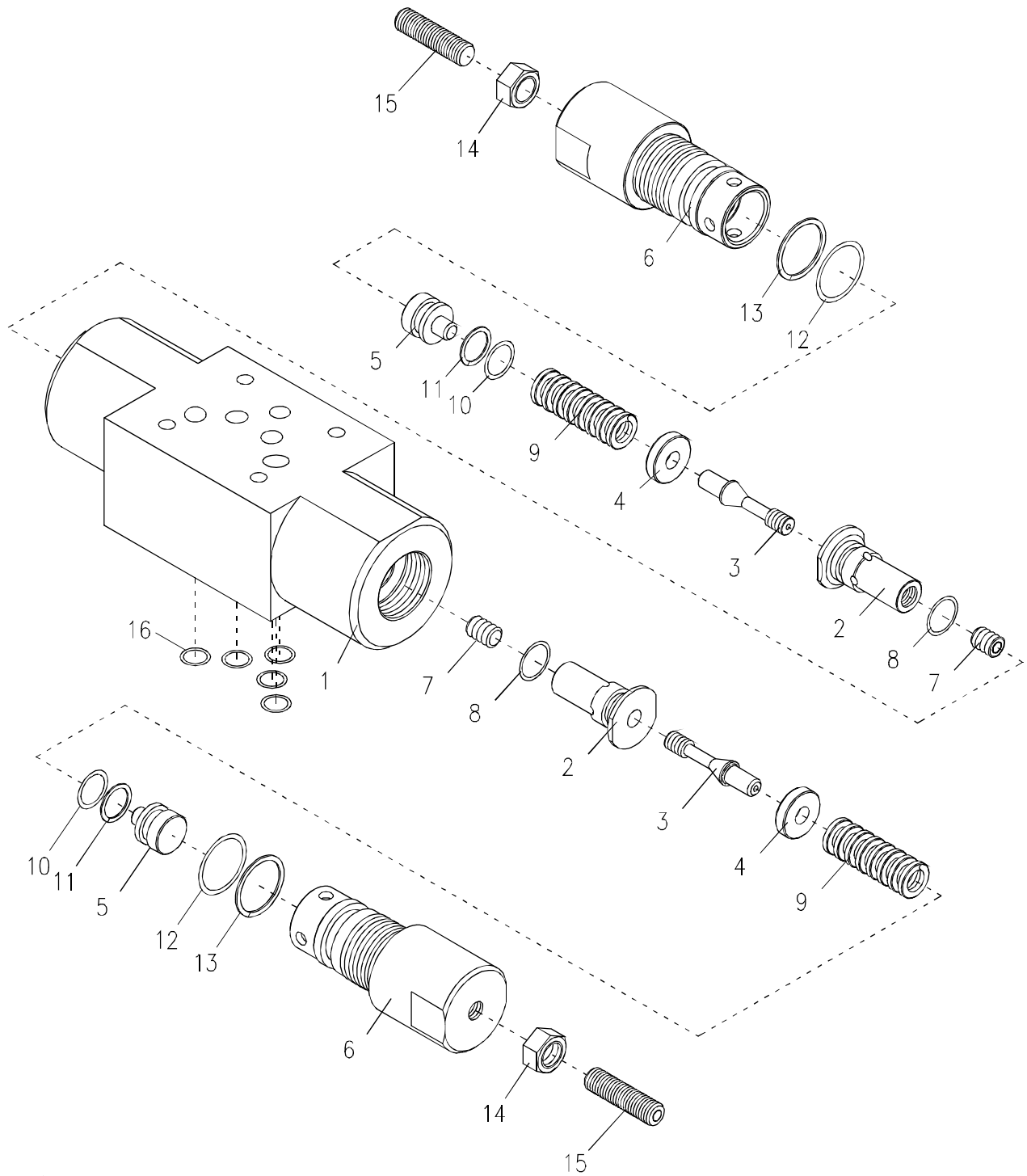
零件爆炸視圖



◆ SEAL KITS 油封配件

NO	Description	Q'ty	Specification
9	O-ring	2	P9
17	O-ring	2	P22
18	O-ring	2	P8
21	O-ring	4	P18
22	O-ring	5	P12

◆ PARTS LIST OF MRV-03D 零件爆炸視圖



◆ SEAL KITS 油封配件

NO	Description	Q'ty	Specification
8	O-ring	2	P14
10	O-ring	2	P14
11	背托環	2	P14
12	O-ring	2	P30
13	背托環	2	P30
16	O-ring	5	P12