

# RELIEF MODULAR VALVES

## MRV SERIES

稱量型調節閥

### ◆ MODEL 型 式

MRV-06



### ◆ FEATURES

- MRV series modular relief valves can be used to efficiently restrict the "P" port, "A" port, or "B" port or the pressure from "A" and "B" port to the oil tank.
- Cast iron valve bodies are provided strength and durability for longer life.
- Internal hardened steel components also provide durable life.
- Four standard pressure setting options are available.
- Two pressure adjustment options are: hex. screw or knob.

- 特 點
- MRV系列稱量型調節閥可使用 P 孔、A 孔、B 孔 或 A-B 孔至油箱
- P-A-B 孔交叉有效的限制壓力。
- 閥本體鑄造強度均超久性、壽命長。
- 內部硬鋼零件提高壽命。
- 四種標準壓力設定選擇。
- 六角螺絲或把手兩種壓力調整選擇。

### ◆ SPECIFICATIONS 規 格

Model Number 型式號碼	Maximum Pressure 最大壓力 bar	Connecting PT 適用管徑	Maximum Flow 最大流量 lpm	Weight 重量 Kg
MRV-06-P, A, B	315 (4500 psi)	3/4"	200 (52.84 gpm)	12.2 (26.9 lbs)
Fluid Type 液體型式			ISO VG 32, 46, 68	
Viscosity 黏性 cSt			10~400 (59~1854 SSU)	
Operating Temperature 操作溫度 °C			-15~70 (-5~158 °F)	
Contamination Level 污染標準			ISO4406, 21/19/16 NAS1638,10	
Surface Treatment 表面處理			Zinc Phosphate Compound 磷 酸 鹽 化 合 物	

- All screws with metric measure, if require inch measure, please contact us.

所附螺絲皆為公制標準規格品，若需英制螺絲請向外廠註說明。

### ◆ HOW TO ORDER 編號說明

1	2	3	4	5	6
MRV	06	P	1	K	20

#### 1 VALVE SERIES 系列名稱

MRV=Relief Modular Valves

#### 2 SUBPLATE MOUNTING SIZE: 明導口徑

06= 3/4"(19mm)  
ISO CETOP8  
DIN NG 25  
NFPA D08

#### 4 PRESSURE ADJUSTMENT 壓力調整範圍

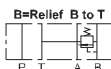
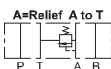
- \*~ 70 (bar)
- 8 ~ 140 (bar)
- 8 ~ 250 (bar)
- 8 ~ 315 (bar)

#### 5 SHAPE 調整部形狀

NONE=TOOL ADJUST 無 工具調整式  
K=HAND-BAR ADJUST K 手把調整式

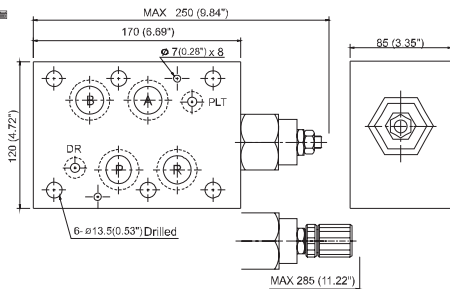
#### 6 DESIGN NO 設計編號

#### 3 CONTROL PORT(S) 動作形式



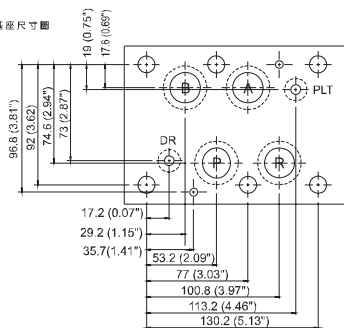
## ◆ DIMENSIONS 外形尺寸圖

## MRV-06-\*



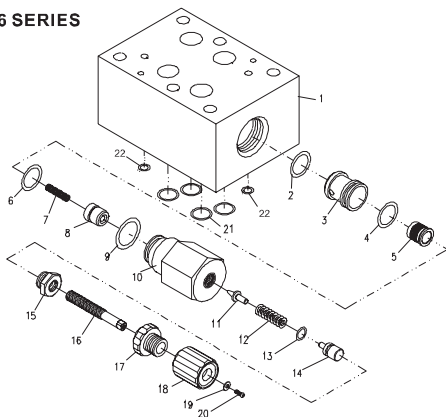
## ◆ Mounting Interface 基準尺寸圖

## ISO 4401-AE-08-4-A



## ◆ PARTS LIST OF MRV-06 SERIES

零件爆炸视图



## ◆ SEAL KITS 密封配件

NO	Description	Q'ty	Specification
2	O-ring	1	G25
4	O-ring	1	G25
6	O-ring	1	G25
9	O-ring	1	P35
13	O-ring	1	P9
21	O-ring	4	P28
22	O-ring	2	P14