

SEQUENCE MODULAR VALVES

MSV SERIES

積層型順序閥

◆ MODEL 型式

MSV-02P



◆ FEATURES

- MSV series modular sequence valves can be used to reduce pressure on the "P" port.
- Casting iron valve bodies are provided strength and durability for longer life.
- Internal hardened steel components also provide durable life.
- Two standard pressure setting options are available.
- Two pressure adjustment options are: hex. screw or knob.

- 特 點
- MSV 系列積層型順序閥可使用 P 孔減少壓力。
- 閥本體鑄造並採用且耐久性、壽命長。
- 內部硬鋼零件提高產品壽命。
- 二種標準壓力設定選擇。
- 六角螺絲或把手兩種壓力調整選擇。

◆ SPECIFICATIONS 規格

Model Number 型式號碼	Maximum Pressure 最大壓力 bar	Connecting PT 適用管徑	Maximum Flow 最大流量 lpm	Weight 重量 Kg
MSV-02-P	250 (3625 psi)	1/4"	40 (10.56 gpm)	1.2 (2.7 lbs)
Fluid Type 液體型式			ISO VG 32, 46, 68	
Viscosity 黏性 cSt			10~400 (59~1854 SSU)	
Operating Temperature 操作溫度 °C			-15~70 (-5~158°F)	
Contamination Level 污染標準			ISO4406, 21/19/16 NAS1638,10	
Surface Treatment 表面處理			Zinc Phosphate Compound 磷 鍍酸鹽 化合物	

- All screws with metric measure , if require inch measure , please contact us.

所有螺絲皆為公制標準規格品，若需英制螺絲請另外備註說明。

◆ HOW TO ORDER 編號說明

1	2	3	4	5	6
MSV	02	P	1	*	20

1 VALVE SERIES 系列名稱

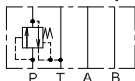
MSV=Sequence Modular Valves

2 SUBPLATE MOUNTING SIZE: 稱呼口徑

02 = 1/4"(6mm)
ISO CETOP3
DIN NG 6
NFPA D03

3 CONTROL PORT(S) 動作形式

P=P Port Only



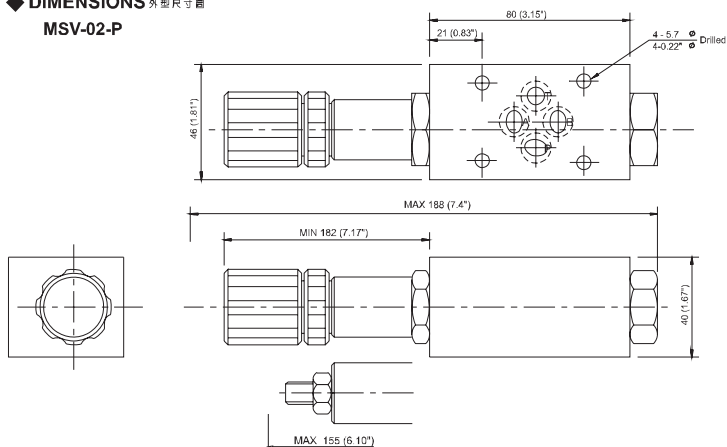
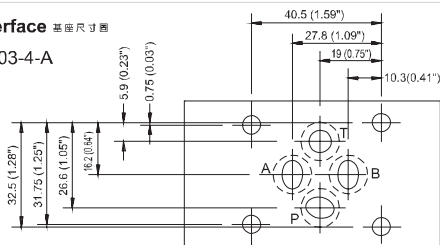
4 PRESSURE ADJUSTMENT 壓力調整範圍

1. 8~70 (bar)
2. 10~210 (bar)

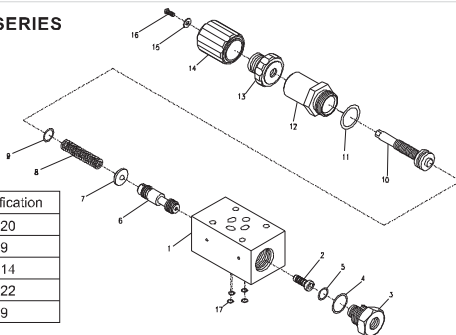
5 SHAPE 調整部形狀

NONE:TOOL ADJUST 無：工具調整式
K:HAND-BAR ADJUST K：手起調整式

6 DESIGN NO 設計編號

◆ DIMENSIONS 外形尺寸圖
MSV-02-P

◆ Mounting Interface 基礎尺寸圖
ISO 4401-AB-03-4-A

◆ PARTS LIST OF MSV-02 SERIES

零件爆炸視圖


◆ SEAL KITS 油封配件

NO	Description	Q'ty	Specification
4	O-ring	1	P20
5	O-ring	1	P9
9	O-ring	1	P14
11	O-ring	1	P22
17	O-ring	4	P9