

SEQUENCE MODULAR VALVES

MSV SERIES

積層型順序閥

◆ MODEL 型 式

MSV-03P



◆ FEATURES

- MSV series modular sequence valves can be used to reduce pressure on the "P" port.
- Casting iron valve bodies are provided strength and durability for longer life.
- Internal hardened steel components also provide durable life.
- Two standard pressure setting options are available.
- Two pressure adjustment options are: hex. screw or knob.

- 特 點
- MSV 系列積層型順序閥可使用 P 孔減少壓力。
- 鑄本體結構強度夠且耐久性、壽命長。
- 內部硬鋼原件提高產品壽命。
- 二種標準壓力設定選擇。
- 六角螺絲或把手兩種壓力調整選擇。

◆ SPECIFICATIONS 規 格

| Model Number 型式號碼 | Maximum Pressure 最大壓力 bar | Connecting PT 適用管徑 | Maximum Flow 最大流量 lpm | Weight 重量 Kg |
|-------------------------------|------------------------------|-----------------------|-------------------------------------|-----------------|
| MSV-03-P | 250 (3625 psi) | 3/8" | 80 (21.13 gpm) | 4.2 (9.3 lbs) |
| Fluid Type 液體型式 | | | ISO VG 32, 46, 68 | |
| Viscosity 黏性 cSt | | | 10~400 (59~1854 SSU) | |
| Operating Temperature 操作溫度 °C | | | -15~70 (-5~158 °F) | |
| Contamination Level 污染標準 | | | ISO4406. 21/19/16 NAS1638,10 | |
| Surface Treatment 表面處理 | | | Zinc Phosphate Compound 磷 鍍 離 化 合 物 | |

● All screws with metric measure, if require inch measure, please contact us.

所附螺絲皆為公制標準規格，若需美制螺絲請另外垂註說明。

◆ HOW TO ORDER 編號說明

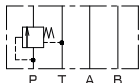
| | | | | | |
|-----|------|-----|---|-----|------|
| 1 | 2 | 3 | 4 | 5 | 6 |
| MSV | — 03 | — P | 1 | — * | — 20 |

1 VALVE SERIES 系列名稱
MSV=Sequence Modular Valves

2 SUBPLATE MOUNTING SIZE: 插牌口徑
03 = 3/8"(9mm)
ISO CETOP5
DIN NG 10
NFPA D05

3 CONTROL PORT(S) 動作形式

P=P Port Only



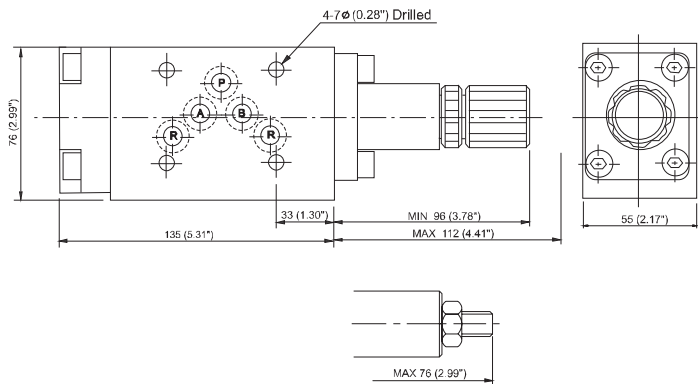
4 PRESSURE ADJUSTMENT 壓力調整範圍
1. 10~70 (bar)
2. 20~210 (bar)

5 SHAPE 調整部形狀
NONE:TOOL ADJUST 無：工具調整式
K:HAND-BAR ADJUST K：手把調整式

6 DESIGN NO 設計編號

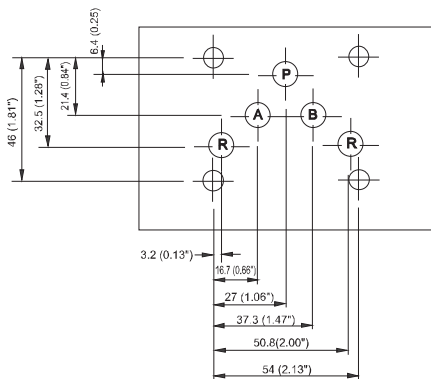
◆ DIMENSIONS 外型尺寸圖

MSV-03-P



◆ Mounting Interface 基座尺寸圖

ISO 4401-AC-05-4-A

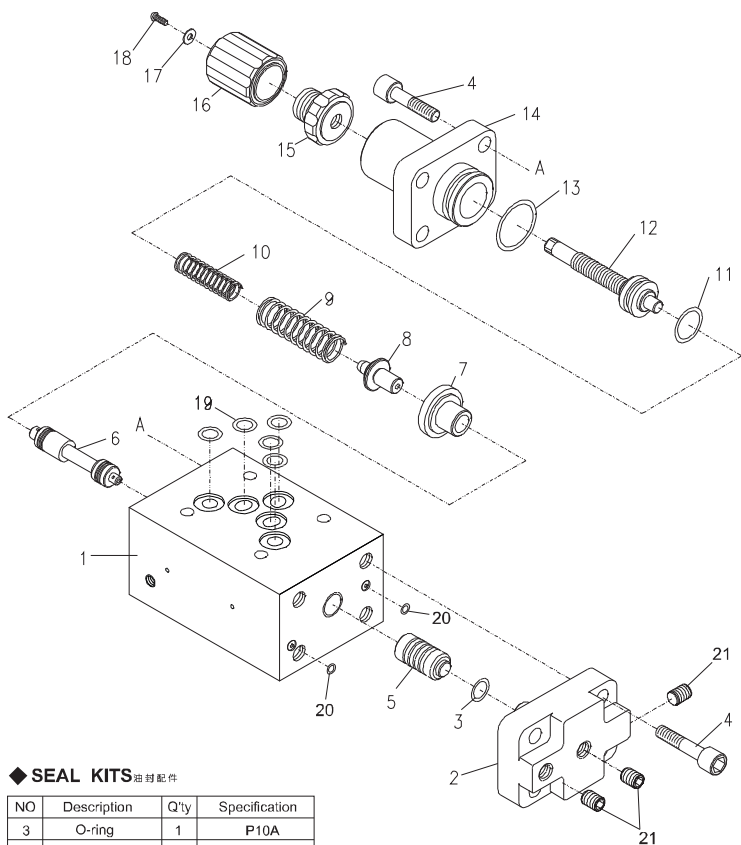


SEQUENCE MODULAR VALVES

MSV SERIES

積層型順序閥

◆ PARTS LIST OF MSV-03 SERIES 零件爆炸視圖



◆ SEAL KITS 油封配件

| NO | Description | Q'ty | Specification |
|----|-------------|------|---------------|
| 3 | O-ring | 1 | P10A |
| 11 | O-ring | 1 | P16 |
| 13 | O-ring | 1 | G25 |
| 19 | O-ring | 4 | P12 |
| 20 | O-ring | 2 | P6 |

ACCESSORIES 附屬配件

| | | | |
|---|-------------------------|---|-----------------|
| 4 | HEX. COUNTER-SINK SCREW | 8 | M8 x 1.25 x 25L |
|---|-------------------------|---|-----------------|