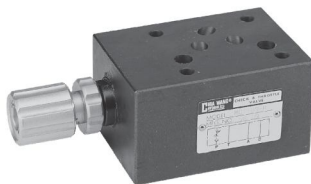


◆ **MODEL 型式**
MCT-03P



◆ **FEATURES**

- MCT series modular control restrictors valves can be used for the "P" port.
- Casting iron valve bodies are provided strength and durability for longer life.
- Internal hardened steel components also provide durable life.

- 特 點
- MCT 系列精釐型止逆節流閥均可使用 P 孔。
- 閥本鑄鐵構造堅固且耐久性、壽命長。
- 內部鑄鋼零件提高產品壽命。

◆ **SPECIFICATIONS 規 格**

Model Number 型式號碼	Maximum Pressure 最大壓力 bar	Connecting PT 適用管徑	Maximum Flow 最大流量 lpm	Weight 重 量 Kg
MCT-03-P	250 (3625 psi)	3/8"	100 (26.4 gpm)	2.6 (16.5 lbs)
Fluid Type 液體型式			ISO VG 32, 46, 68	
Viscosity 黏性 cSt			10~400 (59~1854 SSU)	
Operating Temperature 操作溫度 °C			-15~70 (-5~158 °F)	
Contamination Level 污染標準			ISO4406, 21/19/16 NAS1638,10	
Surface Treatment 表面處理			Zinc Phosphate Compound 鋅磷酸鹽 化合物	

- All screws with metric measure, if require inch measure, please contact us.
所附螺絲皆為公制標準規格品，若需英制螺絲請另外備註說明。

◆ **HOW TO ORDER 編號說明**

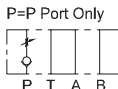
1	2	3	4
MCT	03	P	20

1 VALVE SERIES 系列名稱
MCT=Throttle With Check Modular Valves

2 SUBPLATE MOUNTING SIZE: 稱呼口徑

03 = 3/8"(9mm)
ISO CETOP5
DIN NG 10
NFFA D05

3 CONTROL PORT(S) 動作形式



4 DESIGN NO 設計編號

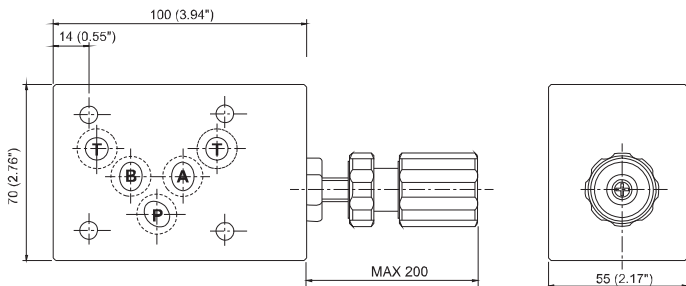
THROTTLE WITH CHECK MODULAR VALVES

MCT SERIES

止逆節流閥

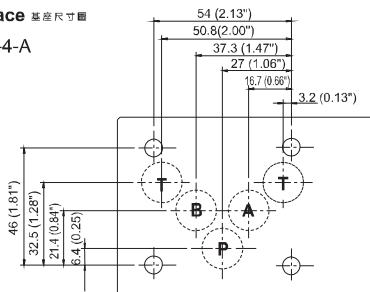
◆ DIMENSIONS 外型尺寸圖

MCT-03-P



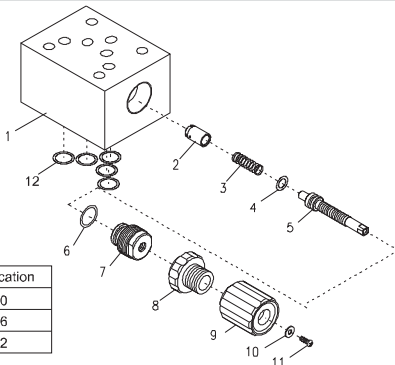
◆ Mounting Interface 基座尺寸圖

ISO 4401-AC-05-4-A



◆ PARTS LIST OF MCT-03

零件爆炸視圖



◆ SEAL KITS 密封配件

NO	Description	Qty	Specification
4	O-ring	1	P10
6	O-ring	1	P16
12	O-ring	5	P12