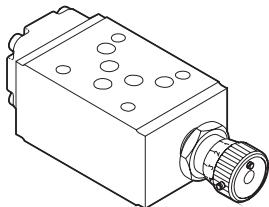


PRESSURE TEMPERATURE COMPENSATED FLOW CONTROL VALVES

MOF SERIES

精層型節流閥附壓力溫度補償

◆ MODEL 型 式 MOF-03-P



◆ FEATURES

- MOF series pressure temperature compensated flow control valves can be used for the "P" port.
- Casting iron valve bodies are provided strength and durability for longer life.
- Internal hardened steel components also provide durable life.
- 特 點
- MOF 系列精層型節流閥附壓力溫度補償可應用 P 孔。
- 鑄本體鑄鋼強度與壽命較久，壽命長。
- 內部硬鋼原件提高產品壽命。

◆ SPECIFICATIONS 規 格

Model Number 型式號碼	Maximum Pressure 最大壓力 bar	Connecting PT 適用管徑	Control Flow 控制流量 lpm	Weight 重量 Kg
MOF-03-P	250 (3625 psi)	3/8"	0.3~60(ΔP: 70bar) 0.5~60(ΔP: 250bar)	3.1 (6.8 lbs)
Fluid Type 液體型式			ISO VG 32, 46, 68	
Viscosity 黏性 cSt			10~400 (59~1854 SSU)	
Operating Temperature 操作溫度 °C			-15~70 (-5~158°F)	
Contamination Level 污染標準			ISO4406, 21/19/16 NAS1638,10	
Surface Treatment 表面處理			Zinc Phosphate Compound 鋅磷酸鹽 化合物	

● All screws with metric measure, if require inch measure, please contact us.

所附螺絲皆為公制標準規格品，若需英制螺絲請洽外廠註說明。

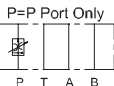
◆ HOW TO ORDER 編號說明

1	2	3	4
MOF	03	P	20

1 VALVE SERIES 系列名稱

MOF= Pressure Temperature Compensated Flow Control Valves

3 CONTROL PORT(S) 動作形式



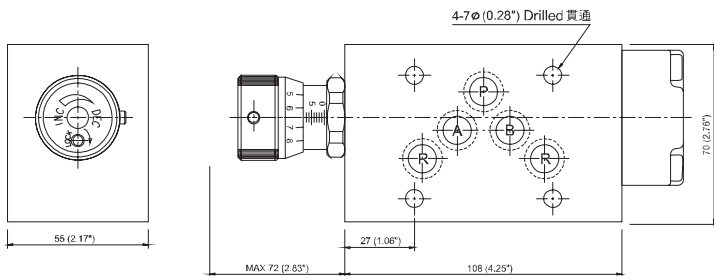
2 SUBPLATE MOUNTING SIZE: 稱呼口徑

03 = 3/8"(9mm)
ISO CETOP5
DIN NG 10
NFPA D05

4 DESIGN NO 設計編號

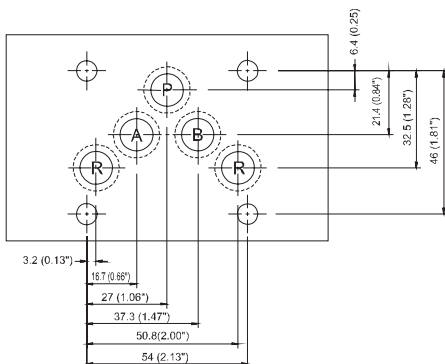
◆ DIMENSIONS 各型尺寸圖

MOF-03-P



◆ Mounting Interface 基礎尺寸圖

ISO 4401-AC-05-4-A

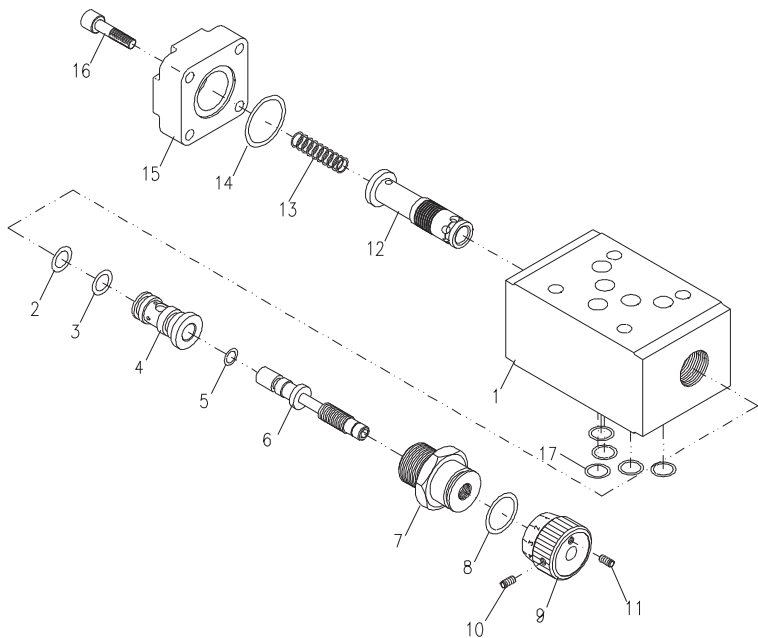


PRESSURE TEMPERATURE COMPENSATED FLOW CONTROL VALVES

MOF SERIES

積層型節流閥附壓力溫度補償

◆ PARTS LIST OF MOF-03-P 零件爆炸視圖



◆ SEAL KITS 密封配件

NO	Description	Q'ty	Specification
2	O-ring	1	P12
3	O-ring	1	P12
5	O-ring	1	P7
8	O-ring	1	P21
14	O-ring	1	P26
17	O-ring	5	P12

ACCESSORIES 附屬配件

10	HEX. COUNTER-SINK SCREW	8	M6 x 1.0 x 30L
----	-------------------------	---	----------------