

# THROTTLE MODULAR VALVES

MT SERIES

稱量型節流閥

## ◆ MODEL 型 式

MT-02P



## ◆ FEATURES

- MT series modular flow control valves can be used for the "P" port, "T" port, "A" port or "B" port respectively, or the "A" port and the "B" port jointly.
- Casting iron valve bodies are provided strength and durability for longer life.
- Internal hardened steel components also provide durable life.

- 特 點
- MT 系列稱量型流率閥均可使用 P 孔、T 孔、A 孔、B 孔和 A 與 B 孔同時使用。
- 閥本體鑄造質堅韌且耐久性、壽命長。
- 內部硬鋼原件提高產品壽命。

## ◆ SPECIFICATIONS 規 格

Model Number 型式號碼	Maximum Pressure 最大壓力 bar	Connecting PT 適用管徑	Maximum Flow 最大流量 lpm	Weight 重量 Kg
MT-02-P, T	250 (3625 psi)	1/4"	50 (13.20 gpm)	1.2 (2.7 lbs)
MT-02-W				1.3 (2.9 lbs)
MT-02-C			20 (5.29 gpm)	1.4 (3.1 lbs)
Fluid Type 液體型式			ISO VG 32, 46, 68	
Viscosity 黏性 cSt			10~400 (59~1854 SSU)	
Operating Temperature 操作溫度 °C			-15~70 (-5~158°F)	
Contamination Level 污染標準			ISO4406: 21/19/16 NAS1638,10	
Surface Treatment 表面處理			Zinc Phosphate Compound 鋅 磷酸鹽 化合物	

● All screws with metric measure, if require inch measure, please contact us.

所有螺絲皆為公制標準規格品，若需英制螺絲請向另外徑註說明。

## ◆ HOW TO ORDER 編號說明



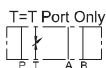
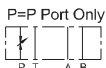
**1 VALVE SERIES** 系列名稱  
MT=Throttle Modular Valves

**2 SUBPLATE MOUNTING SIZE:** 稱呼口徑  
02 = 1/4"(6mm)  
ISO CETOP3  
DIN NG 6  
NFFA D03

**4 SHAPE** 調整器形狀  
NONE TOOLADJUST 無：工具調整式  
K: HAND BAR ADJUST K：手桿調整式  
(C Series without K Shape) (C系列無手桿調整式)

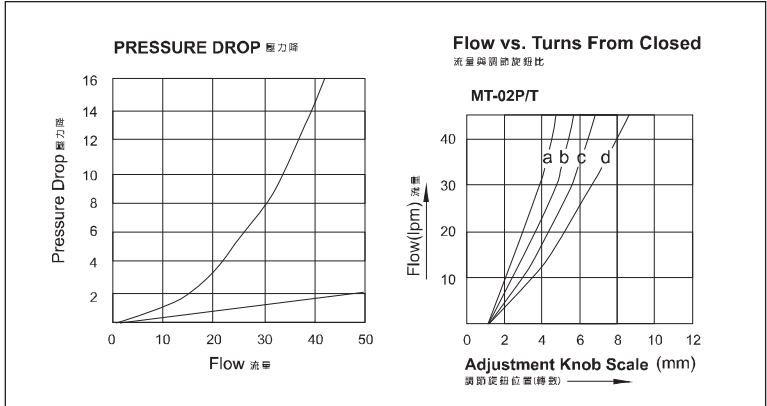
**5 DESIGN NO** 設計編號

**3 CONTROL PORT(S)** 操作形式



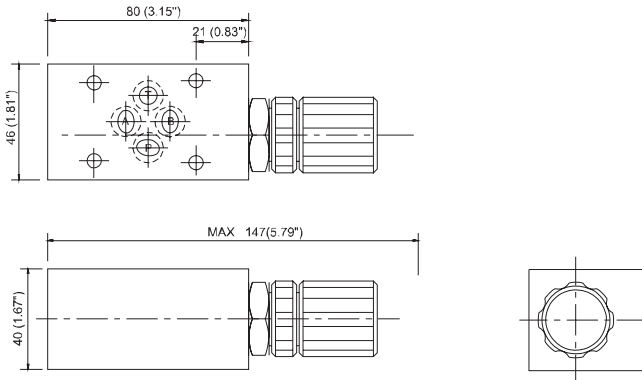
### ◆ PERFORMANCE 性能

Test Conditions 測試條件  
 Oil Temperature 油溫: 50°C (122°F)  
 Viscosity 黏度: 35 cSt (163 SSU)



### ◆ DIMENSIONS 外型尺寸圖

#### MT-02-P, T



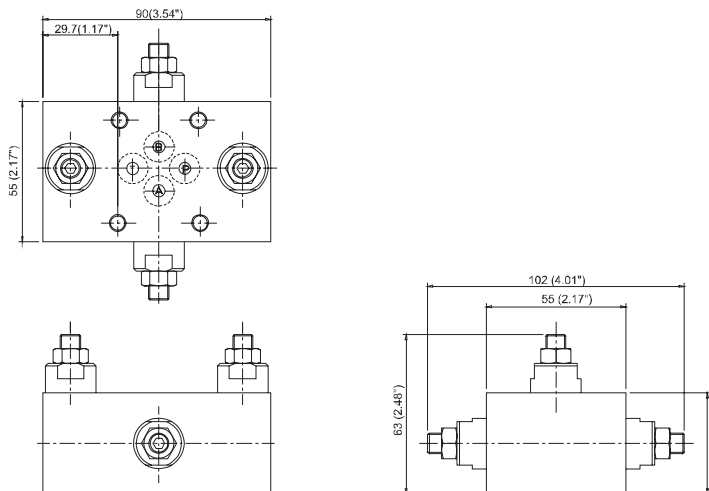
# THROTTLE MODULAR VALVES

MT SERIES

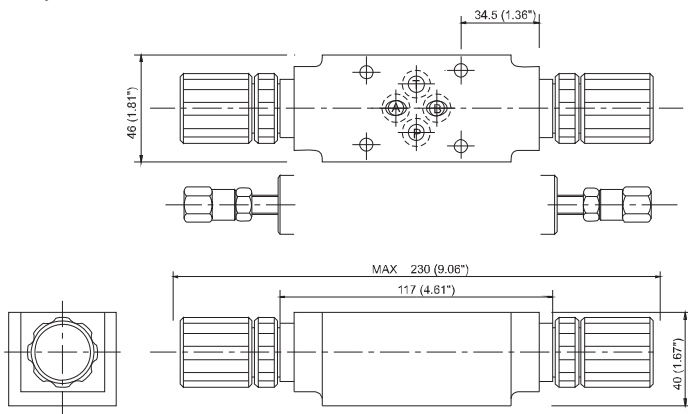
稱量型節流閥

## ◆ DIMENSIONS 外型尺寸圖

MT-02-C



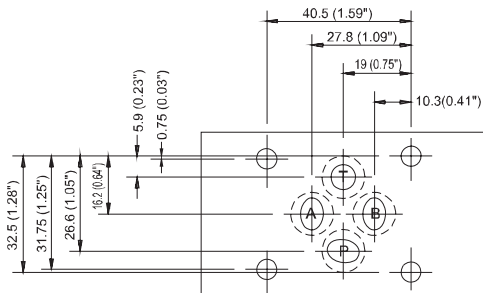
MT-02-W



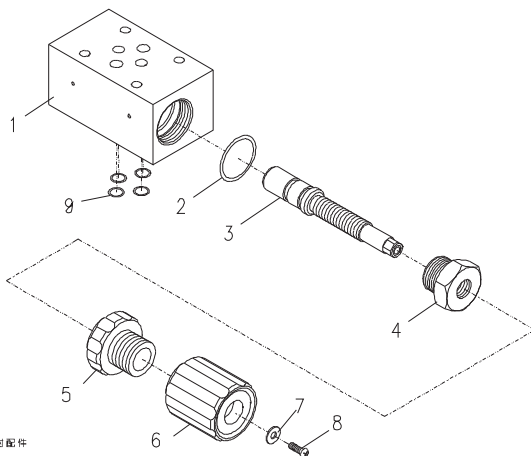
C  
MT

### ◆ Mounting Interface 基準尺寸圖

ISO 4401-AB-03-4-A



### ◆ PARTS LIST OF MT-02 SERIES 零件爆炸視圖



### ◆ SEAL KITS 密封配件

NO	Description	Q'ty	Specification
2	O-ring	1	P7
9	O-ring	4	P9