

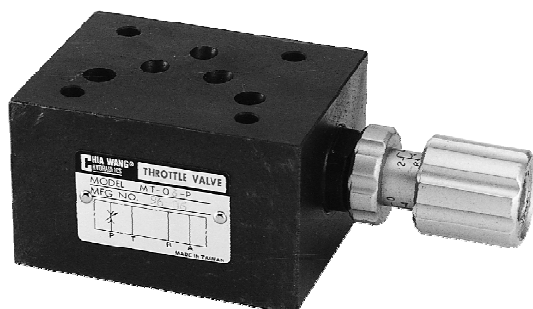
THROTTLE MODULAR VALVES

MT SERIES

積層型節流閥

◆ MODEL 型 式

MT-03P



◆ FEATURES

- MT series modular flow control valves can be used for the "P" port, "T" port, "A" port or "B" port respectively, or the "A" port and the "B" port jointly.
- Casting iron valve bodies are provided strength and durability for longer life.
- Internal hardened steel components also provide durable life.

● 特 點

- MT 系列積層型流量閥均可使用 P孔、T孔、A、B孔 和 A與B孔同時使用。
- 閥本體鑄鐵強度夠且耐久性，壽命長。
- 內部硬鋼原件提高產品壽命。

◆ SPECIFICATIONS 規 格

Model Number 型式號碼	Maximum Pressure 最大壓力 bar	Connecting PT 適用管徑	Maximum Flow 最大流量 lpm	Weight 重量 Kg
MT-03-P, T	250 (3625 psi)	3/8"	80 (21.13 gpm)	2.4 (5.3 lbs)
MT-03-W				2.8 (6.2 lbs)
Fluid Type 流體型式		ISO VG 32, 46, 68		
Viscosity 黏性 cSt		10~400 (59~1854 SSU)		
Operating Temperature 操作溫度 °C		-15~70 (-5~158°F)		
Contamination Level 污染標準		ISO4406. 21/19/16 NAS1638,10		
Surface Treatment 表面處理		Zinc Phosphate Compound 鋅 磷酸鹽 化合物		

● All screws with metric measure, if require inch measure, please contact us.

所附螺絲皆為公制標準規格品，若需英制螺絲請另外備註說明。

◆ HOW TO ORDER 編號說明

1	2	3	4	5
MT	03	P	K	20

1 VALVE SERIES 系列名稱

MT=Throttle Modular Valves

4 SHAPE 調整部形狀

NONE:TOOL ADJUST 無：工具調整式
K:HAND-BAR ADJUST K：手把調整式

2 SUBPLATE MOUNTING SIZE: 稱呼口徑

03 = 3/8"(9mm)
ISO CETOP5
DIN NG 10
NFPA D05

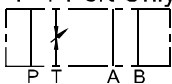
5 DESIGN NO 設計編號

3 CONTROL PORT(S) 動作形式

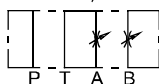
P=P Port Only



T=T Port Only



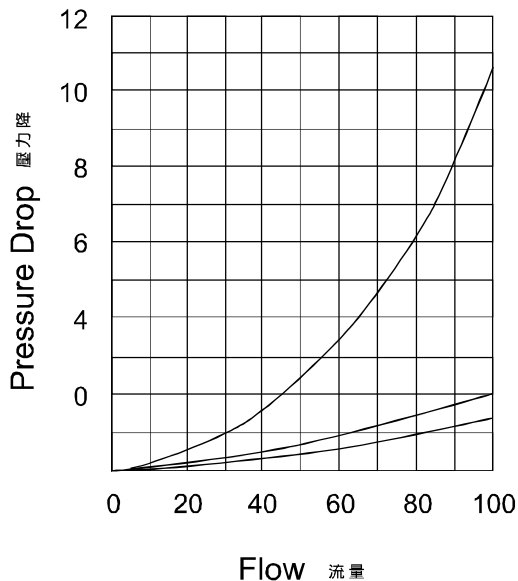
W= A & ,B Port



◆ PERFORMANCE 性能

Test Conditions 測試條件
 Oil Temperature 油溫度: 50°C (122°F)
 Viscosity 黏度: 35 cSt (163 SSU)

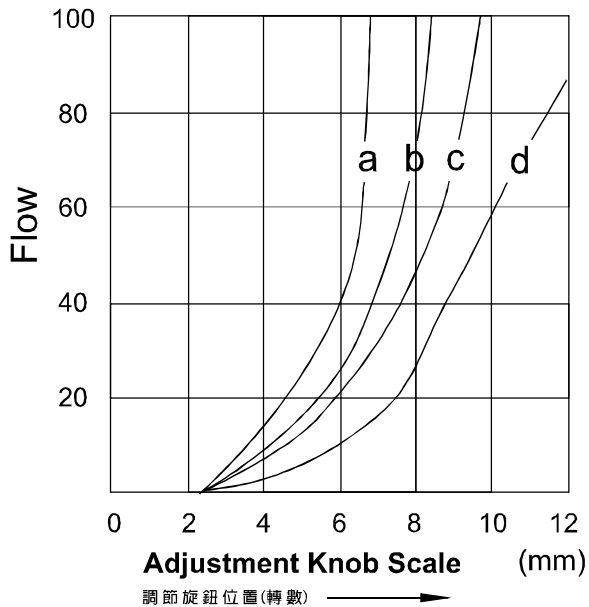
PRESSURE DROP 壓力降



Flow vs. Turns From Closed

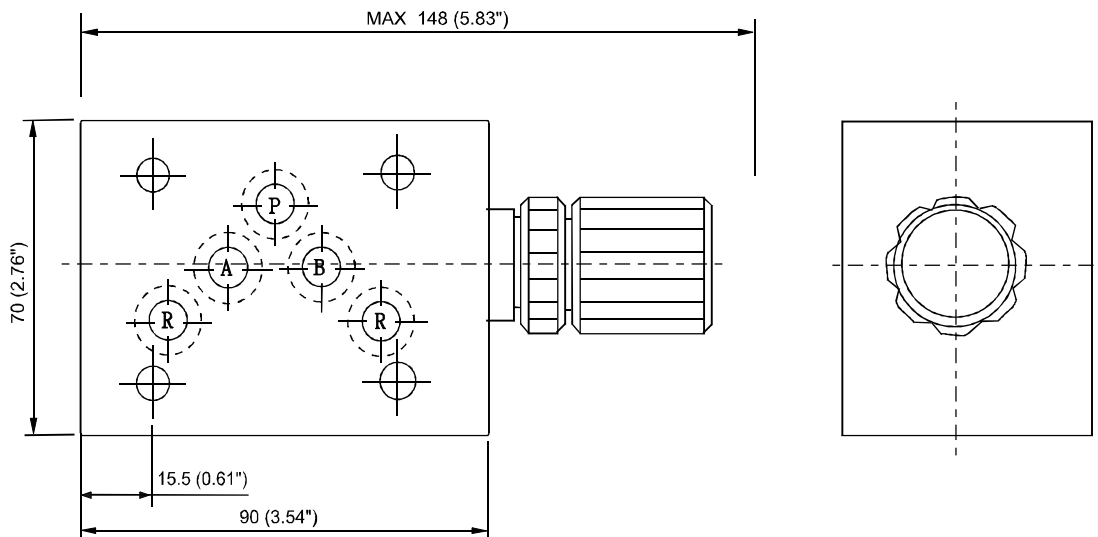
流量與調節旋鈕比

MT-03P/T



◆ DIMENSIONS 外型尺寸圖

MT-03-P, T



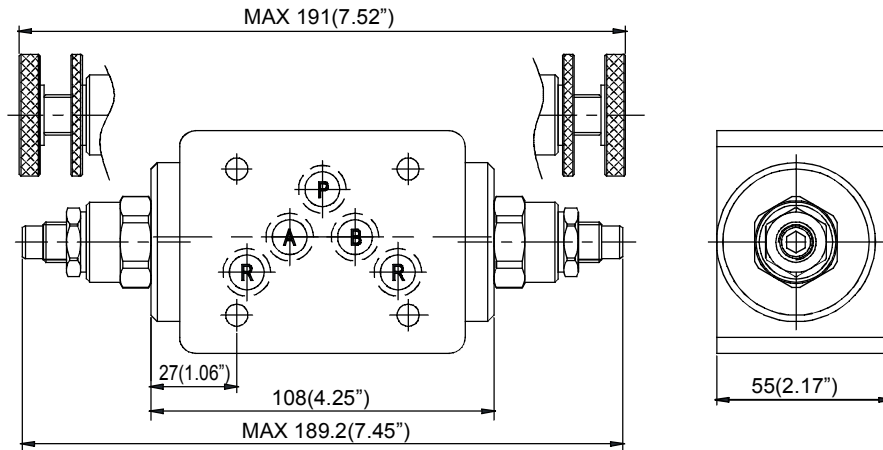
THROTTLE MODULAR VALVES

MT SERIES

積層型節流閥

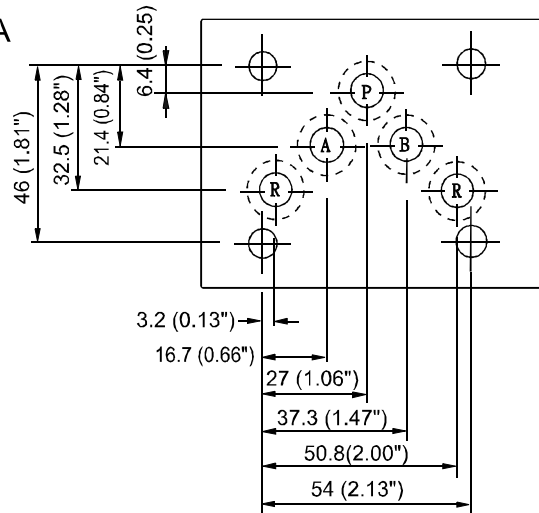
◆ DIMENSIONS 外型尺寸圖

MT-03-W

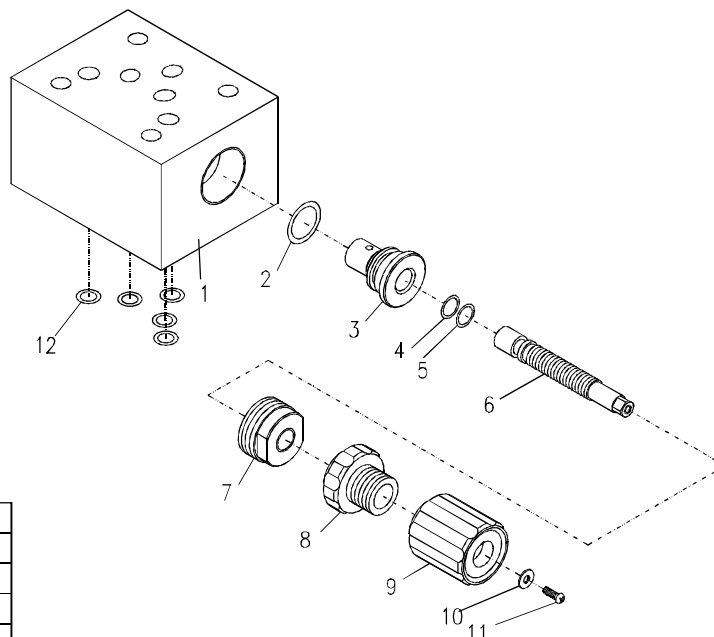


◆ Mounting Interface 基座尺寸圖

ISO 4401-AC-05-4-A



◆ PARTS LIST OF MT-03 SERIES 零件爆炸視圖



◆ SEAL KITS 油封配件

NO	Description	Q'ty	Specification
2	O-ring	1	P16
4	O-ring	1	P7
5	背托環	1	P7
12	O-ring	5	P12