

THROTTLE WITH CHECK MODULAR VALVES

MTC SERIES

止逆節流閥

◆ MODEL 型 式

MTC-04-W



◆ FEATURES

- MTC series modular flow control valves can be used for the "A" port, or "B" port respectively or the "A" port and "B" port jointly.
- Casting iron valve bodies are provided strength and durability for longer life.
- Internal hardened steel components also provide durable life.
- Two flow adjustment options are: hex. screw or knob.

- 特 點
- MTC系列編程流量閥均可使用 A孔、B孔 和 A與B孔時使用。
- 鑄本體結構強壯且耐用性、壽命長。
- 內埋硬鋼附件提高產品壽命。
- 六角螺絲或把手兩種流量調整選擇。

◆ SPECIFICATIONS 規 格

Model Number 型式號碼	Maximum Pressure 最大壓力 bar	Connecting PT 適用管徑	Maximum Flow 最大流量 lpm	Weight 重 量 Kg
MTC-04-A, B	315 (4500 psi)	1/2"	300 (79.25 gpm)	5 (11.0 lbs)
MTC-04-W				5.5 (12.1 lbs)
MTC-04-A1, B1				5 (11.0 lbs)
MTC-04-W1				5.5 (12.1 lbs)
Fluid Type 液體型式			ISO VG 32, 46, 68	
Viscosity 黏性 cSt			10~400 (59~1854 SSU)	
Operating Temperature 操作溫度 °C			-15~70 (-5~158 °F)	
Contamination Level 污染標準			ISO4406. 21/19/16 NAS1638,10	
Surface Treatment 表面處理			Zinc Phosphate Compound 鋅 磷酸鹽 化合物	

• All screws with metric measure, if require inch measure, please contact us.

所附螺絲皆為公制標準規格，若需要制螺絲請另外註說明。

◆ HOW TO ORDER 編裝說明

1	2	3	4	5	6
MTC	04	W	I	*	20

1 VALVE SERIES 系列名稱

MTC=Throttle With Check Modular Valves

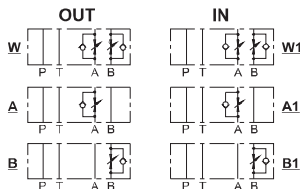
2 SUBPLATE MOUNTING SIZE: 板厚口徑

04 = 1/2" (12mm)
ISO CETOP7
DIN NG 16
NFPA D07

4 ACTION ORIENTATION 動作方向

NONE: OIL OUT 無回油控制
I: OIL IN I: 入油控制

3 ACTION FORM 動作形式



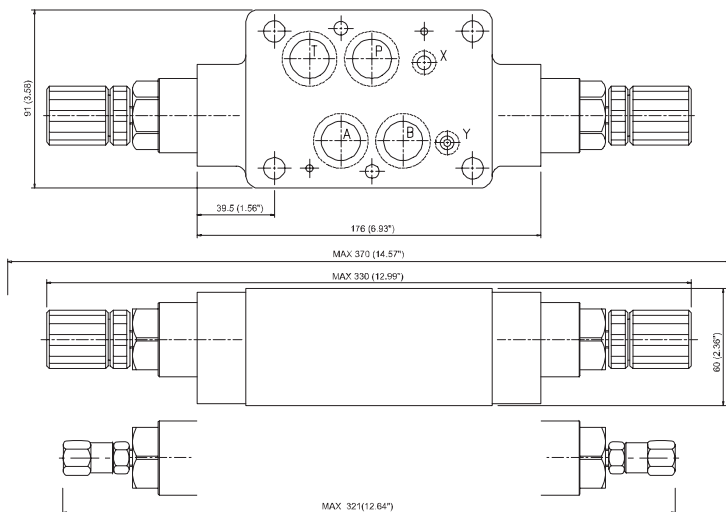
5 SHAPE 調整部形狀

NONE: TOOL ADJUST 無工具調整式
K: HAND-BAR ADJUST K: 手控調整式

6 DESIGN NO 設計編號

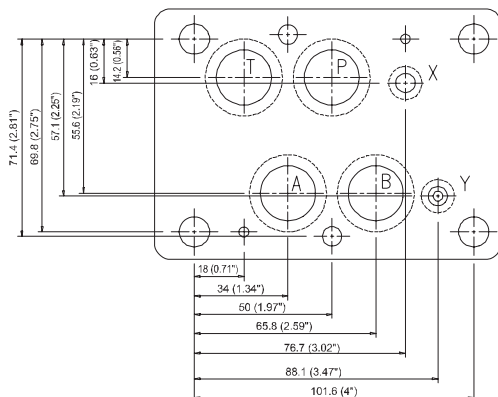
◆ DIMENSIONS 外型尺寸圖

MTC-04-W-K



◆ Mounting Interface 基座尺寸圖

ISO 4401-AD-07-4-A

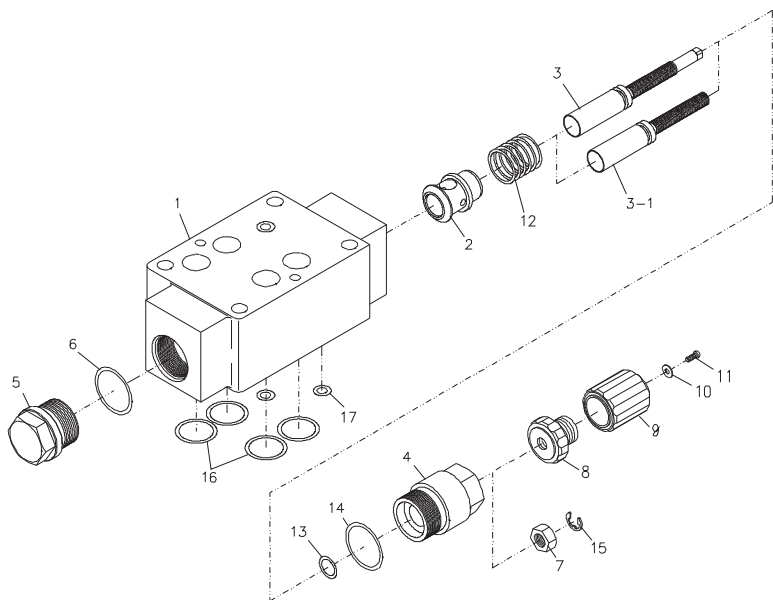


THROTTLE WITH CHECK MODULAR VALVES

MTC SERIES

止逆節流閥

◆ PARTS LIST OF MTC-04 SERIES 零件爆炸視圖



◆ SEAL KITS 密封配件

NO	Description	Q'ty	Specification
6	O-ring	1	AS-123
13	O-ring	1	P12
14	O-ring	1	AS-123
16	O-ring	4	AS-119
17	O-ring	2	P9