

# THROTTLE WITH CHECK MODULAR VALVES

止逆節流閥

MTC SERIES

## ◆ MODEL 型 式

MTC-06-W



## ◆ FEATURES

- MTC series modular flow control valves can be used for the "A" port, or "B" port respectively or the "A" port and "B" port jointly.
- Casting iron valve bodies are provided strength and durability for longer life.
- Internal hardened steel components also provide durable life.
- Two flow adjustment options are: hex. screw or knob.
- 特 點
- MTC系列節流閥流量閥均可使用 A、B、孔和 A/B孔同時使用。
- 閥本體鑄鐵構造堅固持久性、壽命長。
- 內部硬鋼零件提高壽命。
- 八角螺絲或把手兩種流量調整選擇。

## ◆ SPECIFICATIONS 規 格

Model Number 型 式 號 碼	Maximum Pressure 最大壓力 bar	Connecting PT 適用管徑	Maximum Flow 最大流量 lpm	Weight 重 量 Kg
MTC-06-A, B	250 (3625 psi)	3/4"	190 (50.19 gpm)	12.2 (26.9 lbs)
MTC-06-W				13 (28.7 lbs)
MTC-06-A1, B1				12.2 (26.9 lbs)
MTC-06-W1				13 (28.7 lbs)
Fluid Type 液體型式		ISO VG 32, 46, 68		
Viscosity 黏性 cSt		10~400 (59~1854 SSU)		
Operating Temperature 操作溫度 °C		-15~70 (-5~158 °F)		
Contamination Level 污染標準		ISO4406, 21/19/16 NAS1638,10		
Surface Treatment 表面處理		Zinc Phosphate Compound 鋅磷鹽 化合物		

● All screws with metric measure, if require inch measure, please contact us.

所有螺絲皆為公制標準規格，若有英制螺絲請向另廠註說明。

## ◆ HOW TO ORDER 編號說明

1	2	3	4	5	6
MTC	06	W	I	*	20

### 1 VALVE SERIES 系列名稱

MTC=Throttle With Check Modular Valves

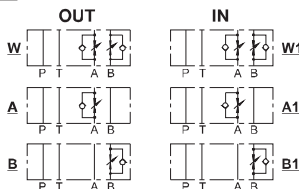
### 2 SUBPLATE MOUNTING SIZE: 稱呼口徑

06= 3/4"(19mm)  
ISO CETOP8  
DIN NG 25  
NFPA D08

### 4 ACTION ORIENTATION 動作方向

NONE: OIL OUT 無 回油控制  
I: OIL IN I: 入油控制

### 3 ACTION FORM 動作形式



### 5 SHAPE 調整部形狀

NONE: TOOL ADJUST 無，二具調整式  
K: HAND-BAR ADJUST K: 手柄調整式

### 6 DESIGN NO 設計編號

C  
MTC

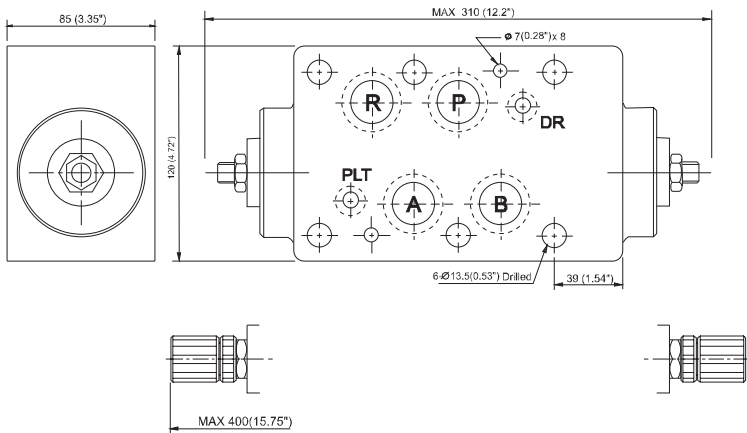
# THROTTLE WITH CHECK MODULAR VALVES

MTC SERIES

止逆節流閥

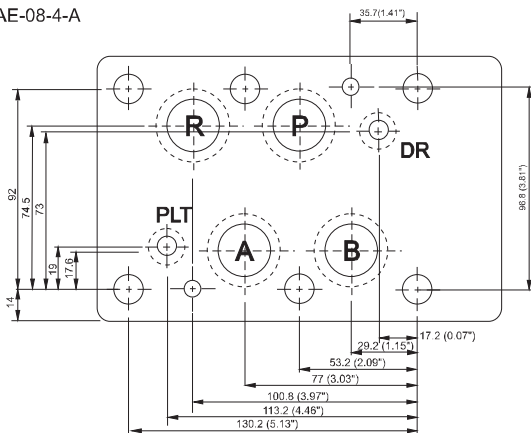
## ◆ DIMENSIONS 外型尺寸圖

MTC-06-W-K

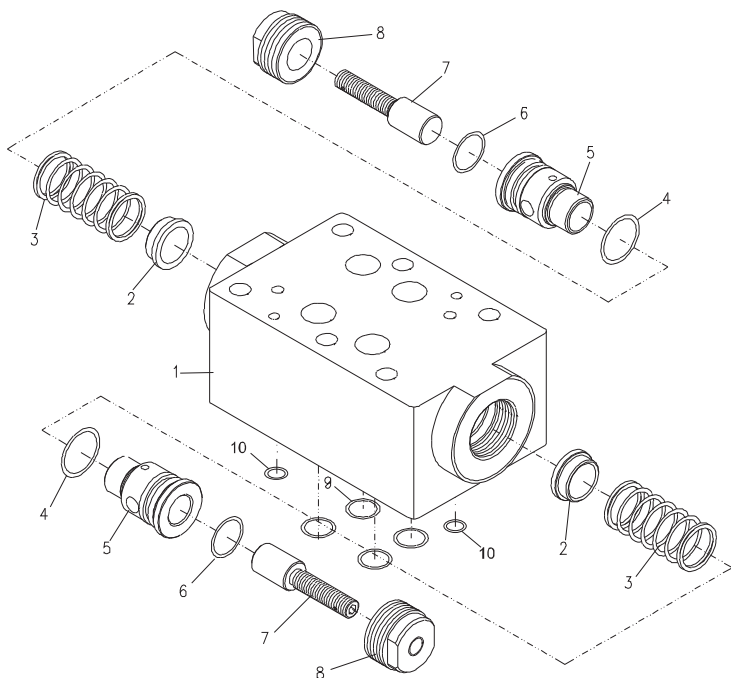


## ◆ Mounting Interface 基準尺寸圖

ISO 4401-AE-08-4-A



◆ PARTS LIST OF MTC-06 SERIES 零件爆炸視圖



◆ SEAL KITS 油封配件

NO	Description	Q'ty	Specification
4	O-ring	2	G30
6	O-ring	2	P20
9	O-ring	4	P28
10	O-ring	2	P14