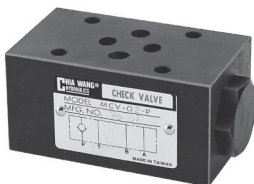


## ◆ MODEL 型 式

MCV-02



## ◆ FEATURES

- MCV series modular check valves can be used for all the ports including the "P" port, "T" port, "B" port, or "W" port, etc..
- Casting iron valve bodies are provided strength and durability for longer life.
- Internal hardened steel components also provide durable life.

- 特 點
- MCV系列積層型止逆閥 P孔、T孔、B孔、W孔等...均可使用。
- 閥本體鑄鐵強度與耐久性，壽命長。
- 內部硬質鋼零件提高產品壽命。

## ◆ SPECIFICATIONS 規 格

Model Number 型式號碼	Maximum Pressure 最大壓力 bar	Connecting PT 適用管徑	Maximum Flow 最大流量 lpm	Weight 重量 Kg
MCV-02-P, T, A, B, C, D, TL MCV-02-W	315 (4500 psi)	1/4"	40 (10.58 gpm)	1.0 (2.2 lbs) 1.2 (2.6 lbs)
Fluid Type 液體型式			ISO VG 32, 46, 68	
Viscosity 黏性 cSt			10~400 (59~1854 SSU)	
Operating Temperature 操作溫度 °C			-15~70 (-5~158 °F)	
Contamination Level 污染標準			ISO4406. 21/19/16 NAS1638,10	
Surface Treatment 表面處理			Zinc Phosphate Compound 磷鉍鍍 化合物	

● All screws with metric measure, if require inch measure, please contact us.

所有螺絲皆為公制標準規格品，若需英制螺絲請另外備註說明。

## ◆ HOW TO ORDER 編號說明

1	2	3	4	5
MCV	02	P	1	20

## 1 VALVE SERIES 系列名稱

MCV=Check Modular Valves

## 2 SUBPLATE MOUNTING SIZE: 稱呼口徑

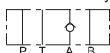
02 = 1/4" (6mm)  
ISO CETOP3  
DIN NG 6  
NFPA D03

## 3 ACTION FORM 動作形式

P=P Port Only



A=A Port Only



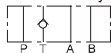
C=Relief P, B to T



W=Relief A, B to T



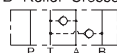
T=T Port Only



B=B Port Only



D=Relief Crossover



TL=T Port Only



# CHECK MODULAR VALVES

MCV SERIES

積層型止逆閥

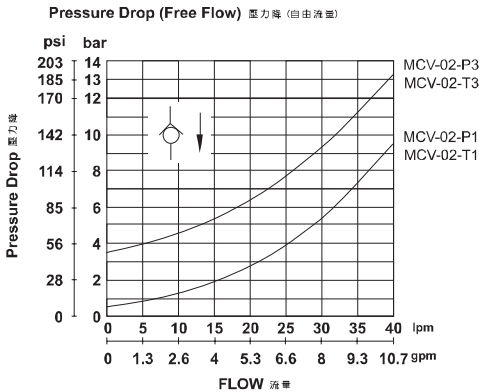
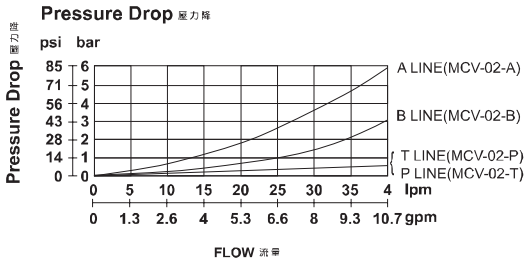
## ◆ PERFORMANCE 性能

Test Conditions 測試條件

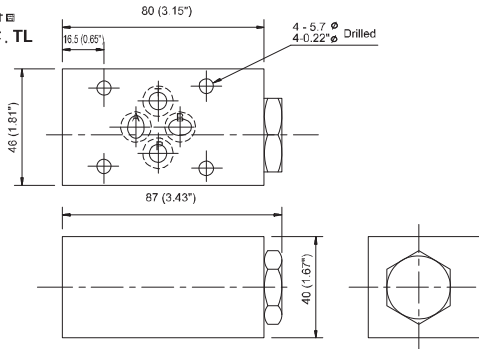
Oil Temperature 油溫度: 50°C (122°F)

Viscosity 黏度: 35 cSt (163 SSU)

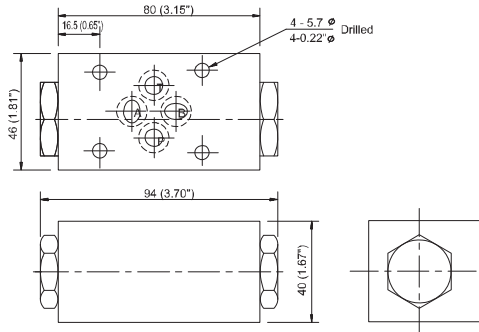
MCV-02



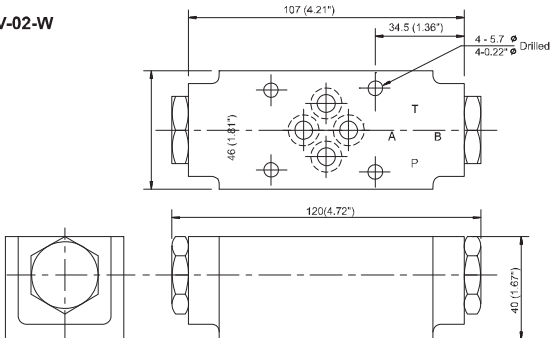
◆ DIMENSIONS 外寸尺寸圖  
MCV-02-P. T. A. B. C. TL



MCV-02-D



MCV-02-W

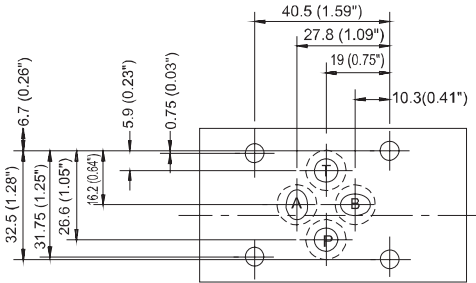


# CHECK MODULAR VALVES

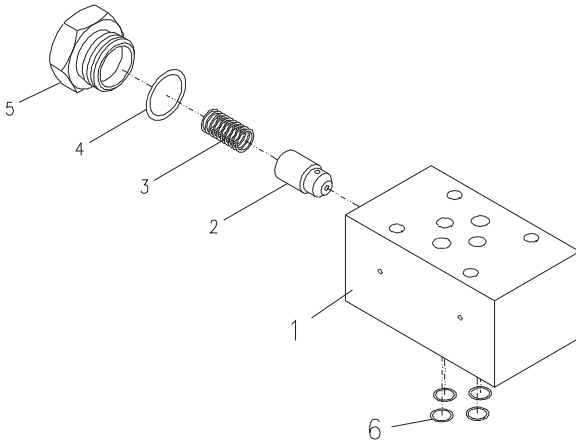
MCV SERIES

積層型止逆閥

## ◆ Mounting Interface 基座尺寸圖 ISO 4401-AB-03-4-A



## ◆ PARTS LIST OF MCV-02 SERIES 零件爆炸視圖



## ◆ SEAL KITS 密封配件

NO	Description	Q'ty	Specification
4	O-ring	1	P18
6	O-ring	4	P9