

PILOT OPERATED CHECK MODULAR VALVES

MPC SERIES

積層型引導止逆閥

◆ MODEL 型 式 MPC-04



◆ FEATURES

- MPC series modular pilot operated check valves can be used for the "A" port or "B" port respectively, or the "A" port and "B" port jointly.
- Casting iron valve bodies are provided strength and durability for longer life.
- Internal hardened steel components also provide durable life.
- All the MPC-04 are release pressure type.

- 特 點
- MPC系列積層型引導止逆閥可同時使用A、B孔和A孔與B孔同時使用。
- 閥本體採用鑄鐵製成壽命長、壽命長。
- 內部硬鋼零件提高產品壽命。
- MPC-04 為高規格型號。

◆ SPECIFICATIONS 規 格

Model Number 型式號	Maximum Pressure 最大壓力 bar	Connecting PT 適用管徑	Maximum Flow 最大流量 lpm	Weight 重量 Kg
MPC-04-A, B, W	315 (4500 psi)	1/2"	300 (79.25 gpm)	5.5 (12.1 Lbs)
Fluid Type 液體型式		ISO VG 32, 46, 68		
Viscosity 黏性 cSt		10~400 (59~1854 SSU)		
Operating Temperature 操作溫度 °C		-15~70 (-5~158°F)		
Contamination Level 污染標準		ISO4406, 21/19/16 NAS1638,10		
Surface Treatment 表面處理		Zinc Phosphate Compound 鋅 磷酸鹽 化合物		

- All screws with metric measure , if require inch measure , please contact us.

所附螺絲均為公制螺絲規格，若需英制螺絲請另外備註說明。

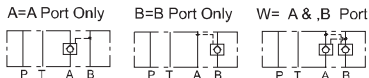
◆ HOW TO ORDER 編號說明

1	2	3	4
MPC	04	W	20

1 VALVE SERIES 系列名稱

MPC=Pilot Operated Check Modular Valves

3 ACTION FORM 動作形式



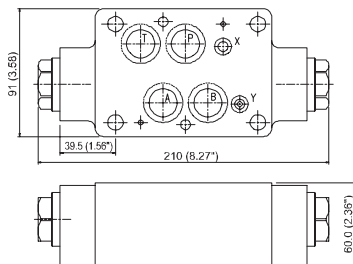
2 SUBPLATE MOUNTING SIZE: 精厚口徑

04 =1/2"(12mm)
ISO CETOP7
DIN NG 16
NFPA D07

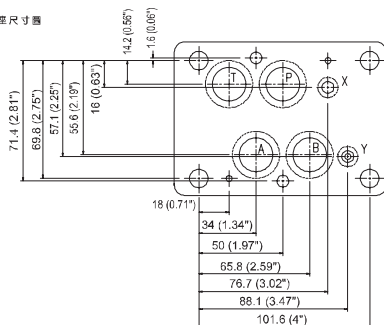
4 DESIGN NO 設計編號

D
MPC

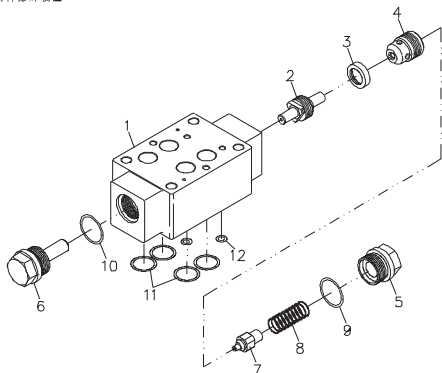
◆ DIMENSIONS 外型尺寸圖 MPC-04



◆ Mounting Interface 基準尺寸圖 ISO 4401-AD-07-4-A



◆ PARTS LIST OF MPC-04-W 零件爆炸表圖



◆ SEAL KITS 密封配件

NO	Description	Qty		Specification
		A	W	
9	O-ring	1	2	AS-123
10	O-ring	1		AS-123
11	O-ring	4	4	AS-119
12	O-ring	2	2	P9