

PILOT OPERATED CHECK MODULAR VALVES

MPC SERIES

積層型引導止逆閥

◆ MODEL 型 式 MPC-06



◆ FEATURES

- MPC series modular pilot operated check valves can be used for the "A" port or "B" port respectively, or the "A" port and "B" port jointly.
- Casting iron valve bodies are provided strength and durability for longer life.
- Internal hardened steel components also provide durable life.
- All the MPC-04 are release pressure type.

- 特 點
- MPC系列積層型引導止逆閥可同時使用 A、B 孔, 和 A 孔與 B 孔同時使用。
- 鑄本體結構堅固且耐久性, 壽命長。
- 內部硬鋼零件提高產品壽命。
- MPC-06 皆為釋壓型式。

◆ SPECIFICATIONS 規 格

Model Number 型式號碼	Maximum Pressure 最大壓力 bar	Connecting PT 適用管徑	Maximum Flow 最大流量 lpm	Weight 重量 Kg
MPC-06-A, B	315 (4500 psi)	3/4"	190 (50.19 gpm)	12.5 (27.6 lbs)
MPC-06-W				13 (28.7 lbs)
Fluid Type 液體型式		ISO VG 32, 46, 68		
Viscosity 黏性 cSt		10~400 (59~1854 SSU)		
Operating Temperature 操作溫度 °C		-15~70 (-5~158 °F)		
Contamination Level 污染標準		ISO4406, 21/19/16 NAS1638,10		
Surface Treatment 表面處理		Zinc Phosphate Compound 磷 鍍酸鹽 化合物		

• All screws with metric measure, if require inch measure, please contact us.

所附螺絲皆為公制標準規格品, 若需英制螺絲請另外註註說明。

◆ HOW TO ORDER 編號說明

1	2	3	4
MPC	06	W	20

1 VALVE SERIES 系列名稱

MPC=Pilot Operated Check Modular Valves

3 ACTION FORM 動作形式



2 SUBPLATE MOUNTING SIZE: 編序口徑

06= 3/4"(19mm)
ISO CETOP8
DIN NG 25
NFPA D08

4 DESIGN NO 設計編號

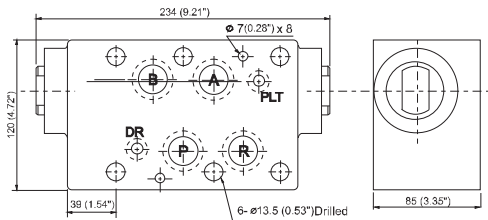
PILOT OPERATED CHECK MODULAR VALVES

積層型引止逆閥

MPC SERIES

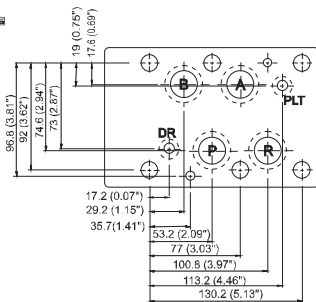
◆ DIMENSIONS 外型尺寸圖

MPC-06

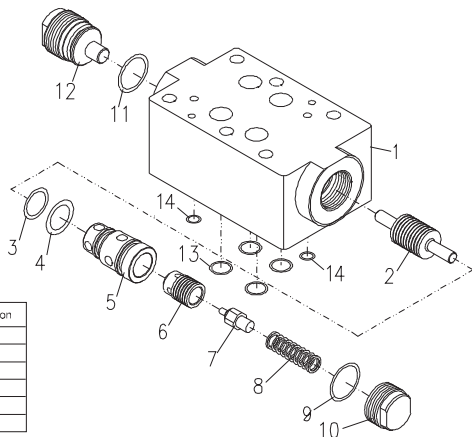


◆ Mounting Interface 基座尺寸圖

ISO 4401-AE-08-4-A



◆ PARTS LIST OF MPC-06 零件爆炸視圖



◆ SEAL KITS 密封配件

NO	Description	Qty		Specification
		A	B	
3	O-ring	1	2	P25.5
4	O-ring	1	2	P31.5
9	O-ring	1	2	P28
11	O-ring	1	1	P31.5
13	O-ring	4	4	P28
14	O-ring	2	2	P14

D
MPC