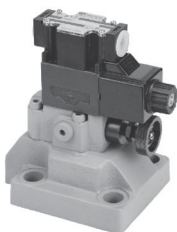


# LOW NOISE TYPE SOLENOID CONTROLLED RELIEF VALVES

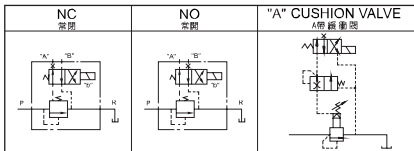
低噪音電磁溢流閥

DBW SERIES

## ◆ MODEL 型 式 DBW-06G



## ◆ CONTROL PORT(S) 動作形式



## ◆ FEATURES

- DB series products feature their high working pressure, big flow and fast reactive speed.
- Casting iron bodies are provided strength and durability for longer life.
- Internal hardened steel components also provide durable life.

- 特 點
- DBW系列產品有工作壓力高、大流量反應速度快等特點。
- 鐵本體結構強壯且耐久性、壽命長。
- 內部硬鋼襯層反應高產品壽命。

## ◆ SPECIFICATIONS 規 格

Model Number 型式號碼	Maximum Pressure 最大壓力 bar	Connecting PT 適用管徑	Maximum Flow 最大流量 lpm	Weight 重量 Kg
DBW-03G	350 (5076 psi)	3/8"	250 (66.05 gpm)	3.4 (7.5 lbs)
DBW-06G		3/4"	500 (132.09 gpm)	5 (11.0 lbs)
DBW-10G		1 1/4"	650 (171.72 gpm)	5.9 (13.0 lbs)
Fluid Type 液體型式		ISO VG 32, 46, 68		
Viscosity 黏性 cSt		10~400 (59~1854 SSU)		
Operating Temperature 操作溫度 °C		-15~70 (-5~158°F)		
Contamination Level 污染標準		ISO4406. 21/19/16 NAS1638,10		

● All screws with metric measure, if require inch measure, please contact us.

所附螺絲皆為公制標準規格型，若需英制螺絲請另外備註說明。

## ◆ HOW TO ORDER 編號說明

1	2	3	4	5	6	7	8	9
DB	W	*	— 03	G	— *	— **	— 30	— **

### 1 VALVE SERIES 系列名稱

DBW=Low Noise Type Solenoid Controlled Relief Valves  
DBWA=Low Noise Type Solenoid Controlled Relief Valves

### 2 SOLENOID TYPE 電磁式

### 3 CUSHION VALVE 緩衝閥

NONE: None Cushion Valve (Standard)  
無不帶緩衝閥(標準型)

A: With Cushion Valve (anyone)  
See Control Port(s)  
A 帶緩衝閥(任意)及動作形式

### 4 SUBPLATE MOUNTING SIZE: 稱呼口徑

03 = 3/8"(9mm)    06 = 3/4"(19mm)    10 = 1 1/4"(31.8mm)  
ISO CETOP5    ISO CETOP8    ISO CETOP10  
DIN NG 10    DIN NG 20    DIN NG 32  
NFPA D05    DIN NG 25    NFPA D10  
NFPA D08

### 5 CONNECTING TYPE 連接型式

G:TYPE:BASEPLATE MOUNTING TYPE(板式連接)

### 6 ADJUSTMENT PRESSURE 壓力調整範圍

1. \* ~100 bar    3. 12 ~ 350 bar

### 7 COIL TYPES OF SOLENOID VALVE

電磁閥電磁線圈種類  
A1: AC110 A2: AC220  
D1: DC12 D2: DC24  
R1: AC110 R2: AC220

### 8 WIRING TYPE 接線型式

20: WIRING BOX TYPE 接線盒式  
30: DIN TYPE    D1型

### 9 CONTROL TYPE 控制方式

NONE: Normally Open(NO), None pressure\_ under electric power off. (Standard)  
無常閉(NO), 不通電時無壓力(標準型)

NC: Normally Close, Pressure raise\_ under electric power off.

NC:常閉 不通電時壓力上升

F  
DBW

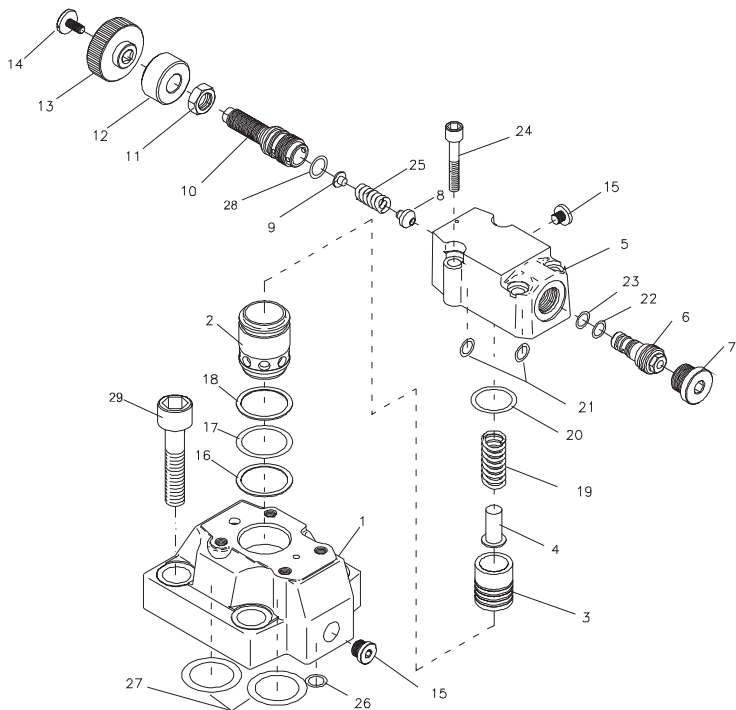
# LOW NOISE TYPE SOLENOID CONTROLLED RELIEF VALVES

DBW SERIES

低噪音電磁溢流閥

## ◆ EXPLODED VIEWS OF PARTS LIST 零件爆炸視圖

DBW-03. 06G. 10G



### ◆ ACCESSORIES 附屬配件

DB-03G

NO	Description	Q'ty	Specification
17	O-ring	1	S29
18	O-ring	1	S24
20	O-ring	1	
21	O-ring	1	P9
22	O-ring	1	P9
23	O-ring	1	P8
26	O-ring	1	P10
27	O-ring	2	P18
28	O-ring	1	S018
29	HEX COUNTER-SINK SCREW	4	M12 x 40L

### ◆ ACCESSORIES 附屬配件

DB-06G

NO	Description	Q'ty	Specification
17	O-ring	1	S29
18	O-ring	1	S24
20	O-ring	1	
21	O-ring	1	P9
22	O-ring	1	P9
23	O-ring	1	P8
26	O-ring	1	P10
27	O-ring	2	P28
28	O-ring	1	S018
29	HEX COUNTER-SINK SCREW	4	M16 x 40L

### ◆ ACCESSORIES 附屬配件

DB-10G

NO	Description	Q'ty	Specification
17	O-ring	1	S29
18	O-ring	1	S24
20	O-ring	1	
21	O-ring	1	P9
22	O-ring	1	P9
23	O-ring	1	P8
26	O-ring	1	P10
27	O-ring	2	P40
28	O-ring	1	S018
29	HEX COUNTER-SINK SCREW	4	M18 x 40L

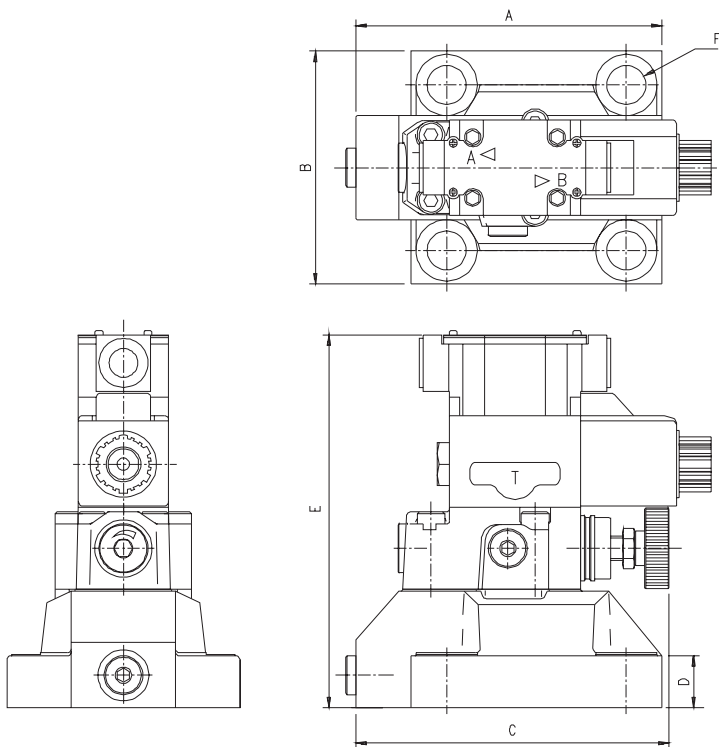
# LOW NOISE TYPE SOLENOID CONTROLLED RELIEF VALVES

低噪音電磁溢流閥

DBW SERIES

## ◆ DIMENSIONS 外型尺寸圖

DBW



MODEL 型號	A	B	C	D	E	F
DBW-03G	91(3.58")	78(3.07")	135(5.31")	26(1.02")	183(7.20")	14(0.55")
DBW-06G	116(4.57")	100(3.94")	144(5.67")	26(1.02")	183(7.20")	18(0.71")
DBW-10G	148(5.83")	115(4.53")	154(6.06")	26(1.02")	183(7.20")	20(0.79")

- The install size of valve please refer the base seat drawing of type RVM-03\_06  
 註: 請安裝前請先參考系列 03\_06型座線尺寸圖

**F**  
DBW