

HYDRAULIC OPERATED DIRECTIONAL VALVES

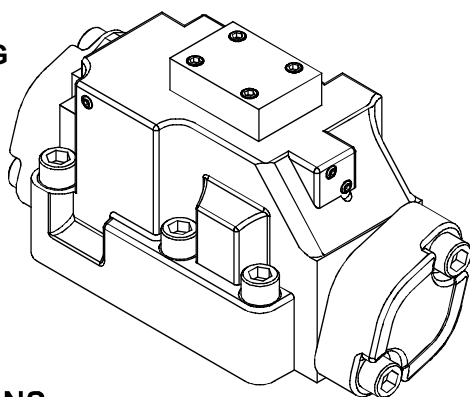
液控換向閥

DHG SERIES

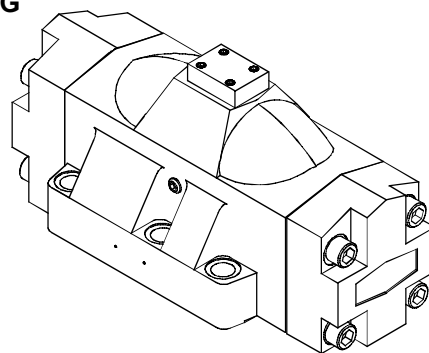
A
DHG

MODEL 型式

DHG-06G



DHY-06G



SPECIFICATIONS 規格

Model Number 型式號碼	Maximum Pressure 最大壓力 bar	Connecting PT 適用管徑	Maximum Flow 最大流量 lpm	Weight 重量 Kg
DHG-04G	250 (3625 psi)	1/2"	200 (52.8 gpm)	7.9 (17.42 lbs)
DHH-04G	350 (5076 psi)		300 (79.25 gpm)	7.9 (17.42 lbs)
DHG-06G	350 (5076 psi)	3/4"	500 (132 gpm)	13.5 (29.76 lbs)
DHY-06G	250 (3625 psi)	3/4"	500 (132 gpm)	11.2 (24.69 lbs)
DHG-10G	250 (3625 psi)	1-1/4"	1100 (290 gpm)	51.6 (113.76 lbs)
Fluid Type 液體型式			ISO VG 32, 46, 68	
Viscosity 黏性 cSt			10~400 (59~1854 SSU)	
Operating Temperature 操作溫度 °C			-15~70 (-5~158 °F)	
Contamination Level 污染標準			ISO4406. 21/19/16 NAS1638,10	

● All screws with metric measure, if require inch measure, please contact us.

所附螺絲皆為公制標準規格品，若需英制螺絲請另外備註說明。

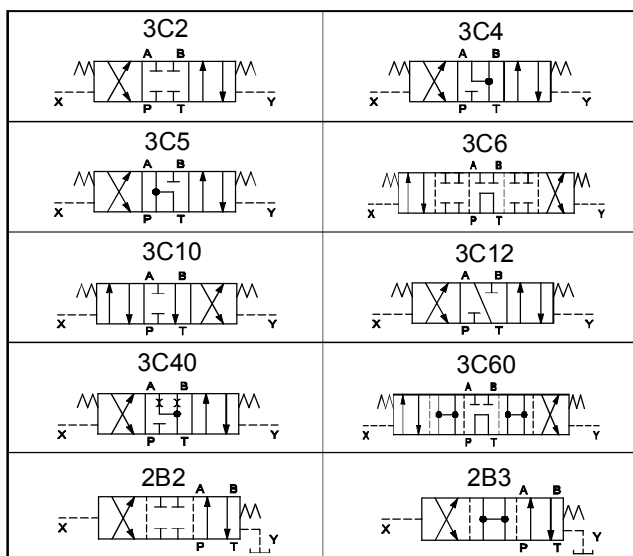
HOW TO ORDER 編號說明

1	2	3	4	5	6
DHG	—	3C2	—	04	G
				*	10

1 VALVE SERIES 系列名稱

DHG=Hydraulic Operated Directional Valves
液控換向閥

2 GRAPHIC SYMBOL 圖表符號



3 SUBPLATE MOUNTING SIZE: 稱呼口徑

04 = 1/2" (12mm) 06 = 3/4" (19mm)
ISO CETOP7 ISO CETOP8
DIN NG 16 DIN NG 25
NFPA D07 NFPA D08

10 = 1 1/4" (31.8mm)
ISO CETOP10
DIN NG 32
NFPA D10

4 CONNECTING TYPE 連接型式

G:TYPE:BASEPLATE MOUNTING TYPE
(板式連接)

5 PILOTED WAY 導引方式

NONE:STANDARD TYPE
(Only the piloted cover is available)

無:標準型(只有導引蓋板)
A:PNEUMATIC PILOTED
A:空壓導引
B:HYDRAULIC PILOTED
B:液壓導引

6 DESIGN NO 設計編號

HYDRAULIC OPERATED DIRECTIONAL VALVES

DHG SERIES

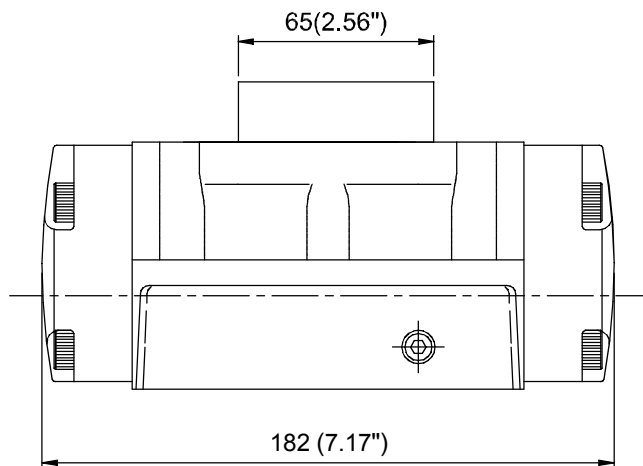
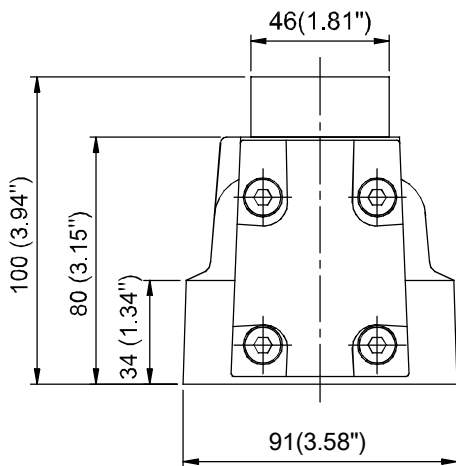
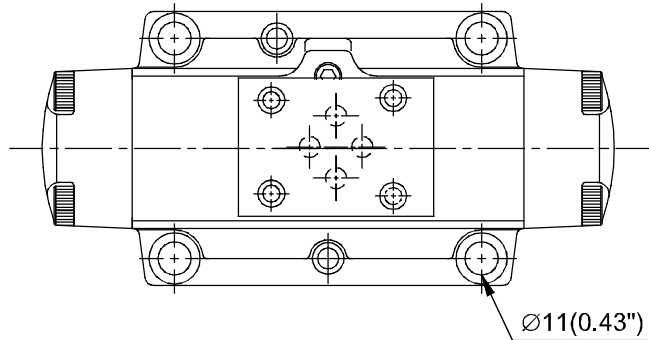
液控換向閥

◆ DIMENSIONS 外型尺寸圖

DHG-04G

◆ Mounting Interface 基座尺寸圖

ISO 4401-AD-07-4-A

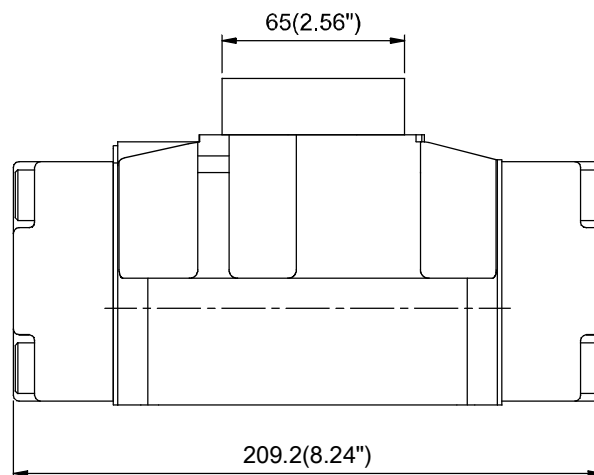
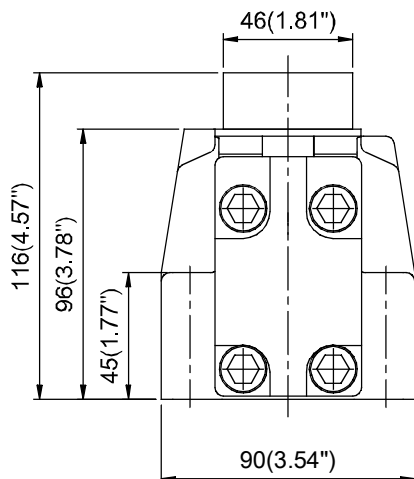
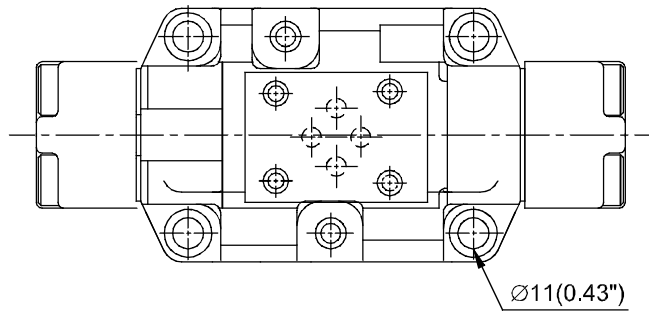


◆ DIMENSIONS 外型尺寸圖

DHH-04G

◆ Mounting Interface 基座尺寸圖

ISO 4401-AD-07-4-A



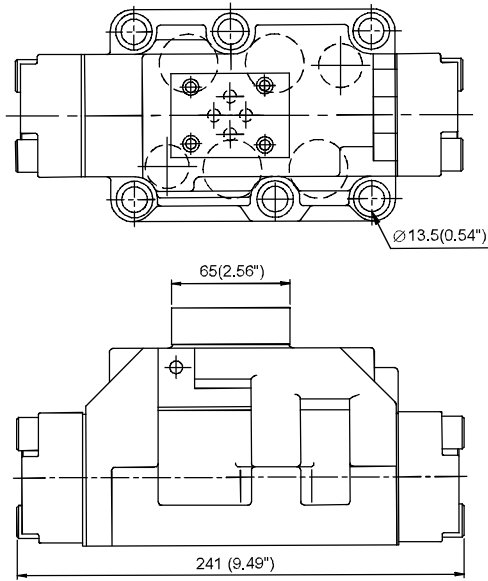
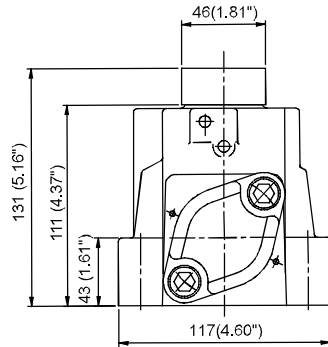
HYDRAULIC OPERATED DIRECTIONAL VALVES

液控換向閥

DHG SERIES

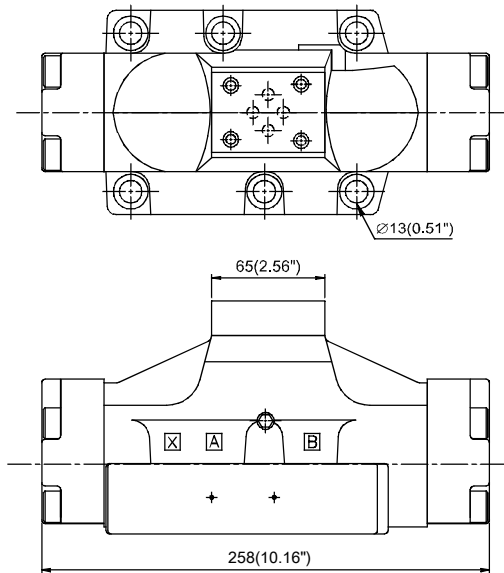
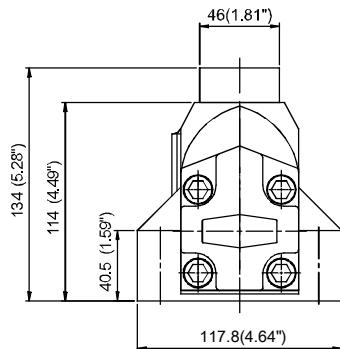
◆ **DIMENSIONS** 外型尺寸圖
DHG-06G

◆ **Mounting Interface** 基座尺寸圖
ISO 4401-AE-08-4-A



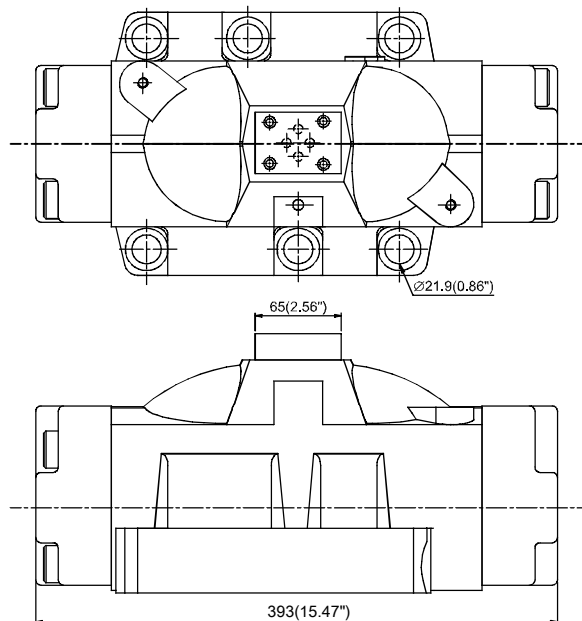
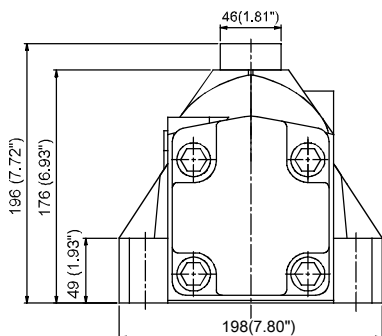
◆ **DIMENSIONS** 外型尺寸圖
DHY-06G

◆ **Mounting Interface** 基座尺寸圖
ISO 4401-AE-08-4-A



◆ **DIMENSIONS** 外型尺寸圖
DHG-10G

◆ **Mounting Interface** 基座尺寸圖
ISO 4401-AF-10-4-A



A
DHG

HYDRAULIC OPERATED DIRECTIONAL VALVES

DHG SERIES

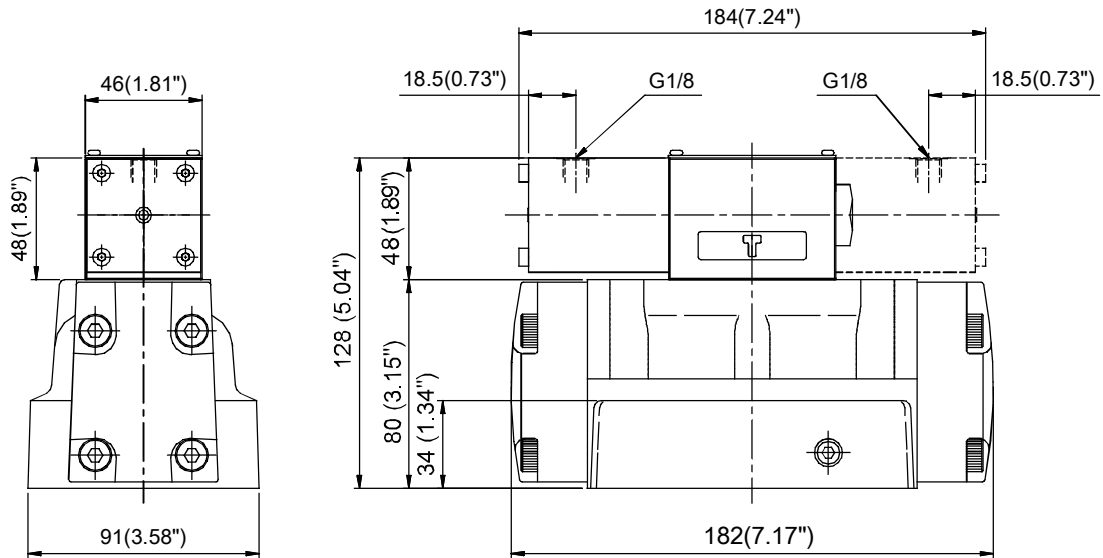
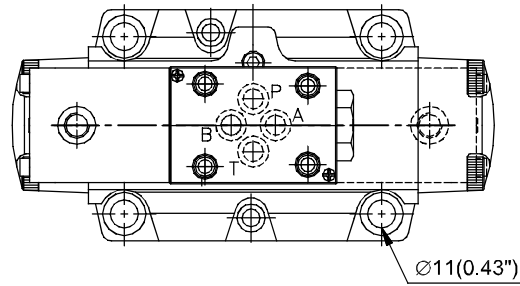
液控換向閥

◆ DIMENSIONS 外型尺寸圖

DHG-04G-A

◆ Mounting Interface 基座尺寸圖

ISO 4401-AD-07-4-A

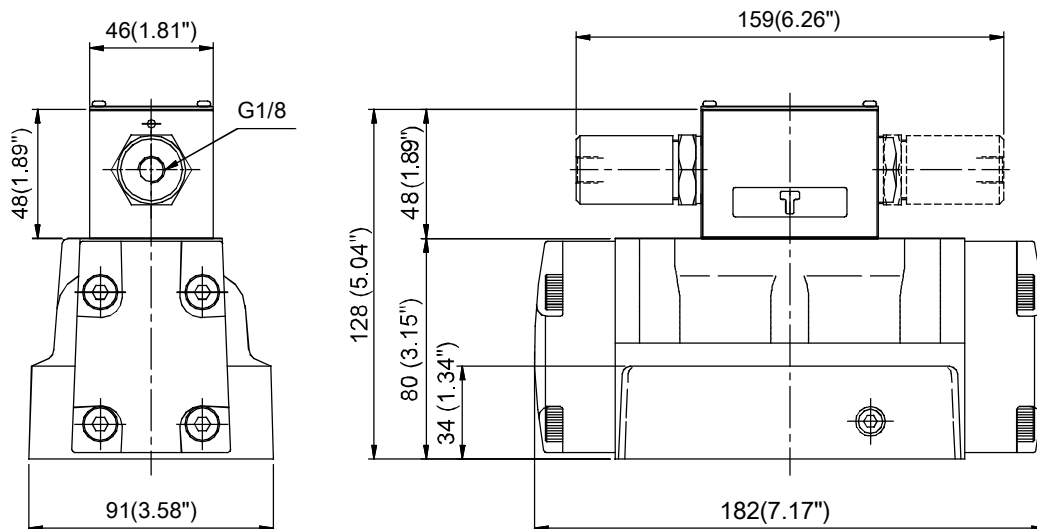
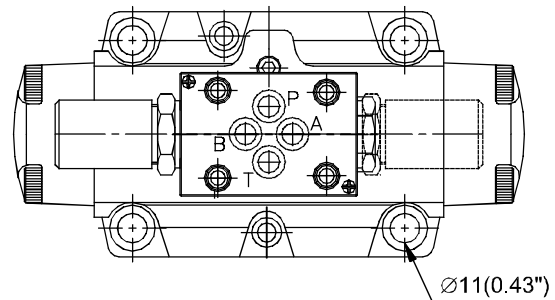


◆ DIMENSIONS 外型尺寸圖

DHG-04G-B

◆ Mounting Interface 基座尺寸圖

ISO 4401-AD-07-4-A



HYDRAULIC OPERATED DIRECTIONAL VALVES

液控換向閥

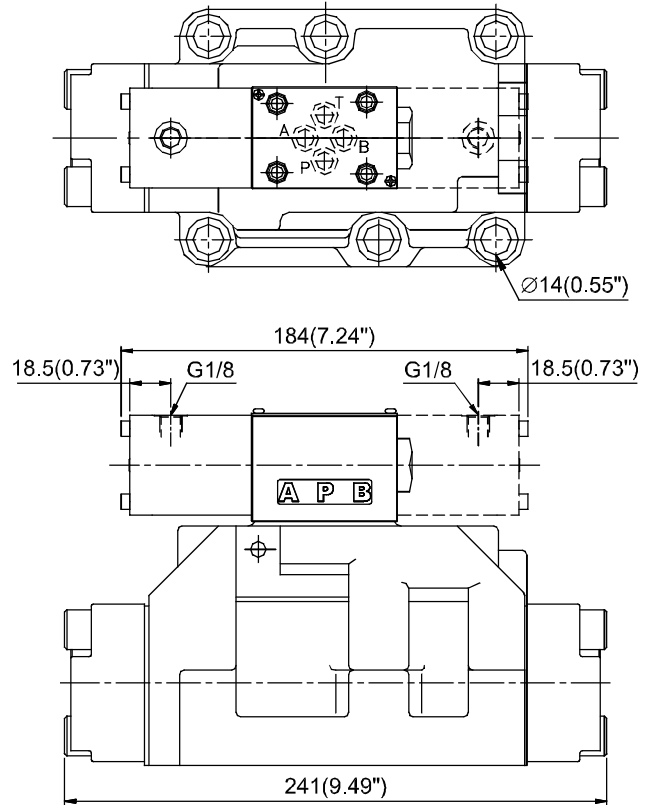
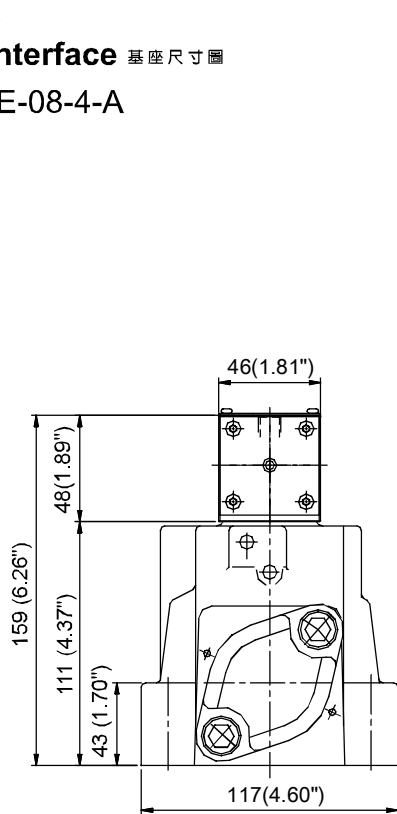
DHG SERIES

◆ DIMENSIONS 外型尺寸圖

DHG-06G-A

◆ Mounting Interface 基座尺寸圖

ISO 4401-AE-08-4-A

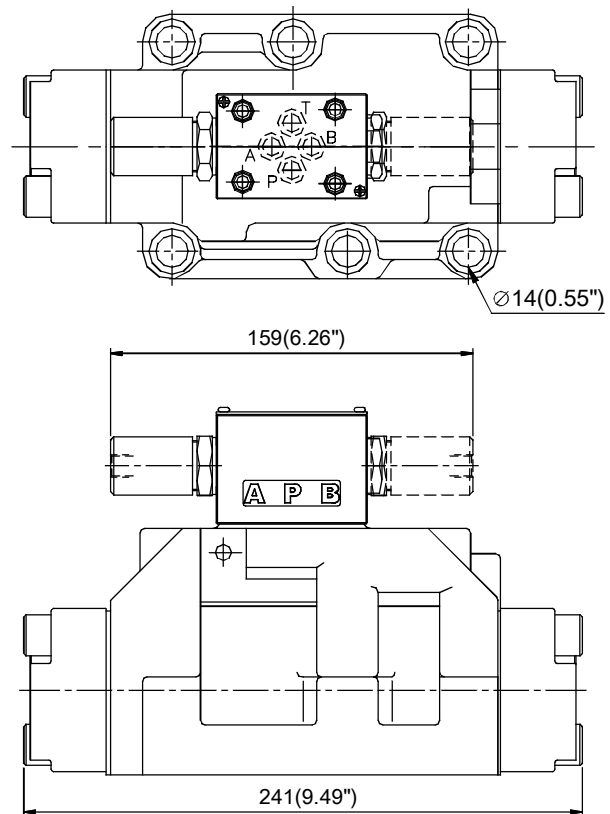
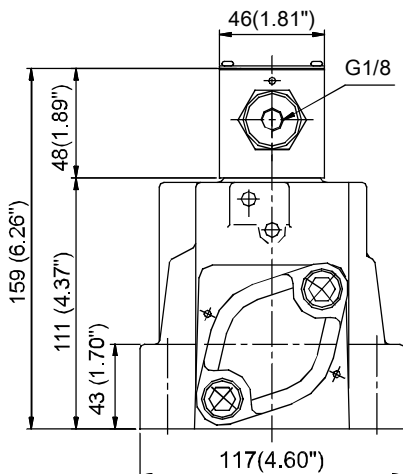


◆ DIMENSIONS 外型尺寸圖

DHG-06G-B

◆ Mounting Interface 基座尺寸圖

ISO 4401-AE-08-4-A



A
DHG

HYDRAULIC OPERATED DIRECTIONAL VALVES

DHG SERIES

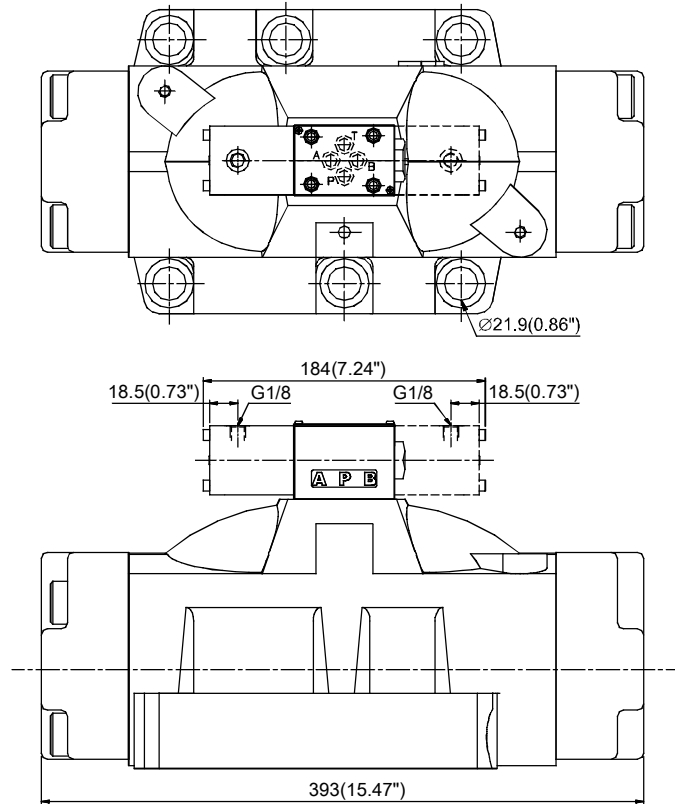
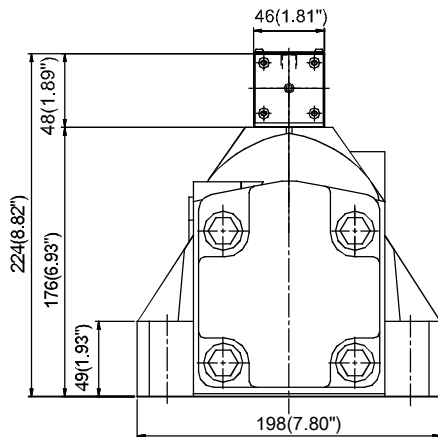
液控換向閥

◆ DIMENSIONS 外型尺寸圖

DHG-10G-A

◆ Mounting Interface 基座尺寸圖

ISO 4401-AF-10-4-A



◆ DIMENSIONS 外型尺寸圖

DHG-10G-B

◆ Mounting Interface 基座尺寸圖

ISO 4401-AF-10-4-A

