

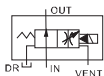
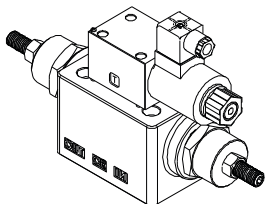
# SOLENOID OPERATED FLOW CONTROL VALVES

電磁流量調整閥

SF SERIES

## ◆ MODEL 型式

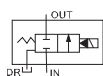
SF-03G



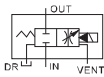
SF



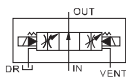
THF



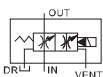
SD



SDF



SKF



SFD

## ◆ SPECIFICATIONS 規格

Model Number 型式號碼	Maximum Pressure 最大壓力 bar	Connecting PT 適用管徑	Maximum Flow 最大流量 lpm	Weight 重量 Kg	SOLENOID VALVES 電磁閥
SF -03G	250 (3625 PSI)	3/4"	50 (13.20 gpm)	4.2(9.259 lbs)	WE-2B2L-02G
SDF-03G				4.2(9.259 lbs)	WE-2B2-02G
THF-03G				3 (6.614 lbs)	
SD -03G				4.2(9.259 lbs)	WE-2B2-02G
SFD-03G				4.2(9.259 lbs)	WE-2B2L-02G
SKF-03G				4.6(10.141 lbs)	WE-3C4-02G
Fluid Type 液體型式			ISO VG 32, 46, 68		
Viscosity 黏性 cSt			10-400 (59-1854 SSU)		
Operating Temperature 操作溫度 °C			-15-70 (-5-158°F)		
Contamination Level 污染標準			ISO4406, 21/19/16 NAS1638,10		

● All screws with metric measure, if require inch measure, please contact us.  
所有螺絲皆為公制標準規格品，若需英制螺絲請另外備註說明。

## ◆ HOW TO ORDER 編號說明



### 1 VALVE SERIES 系列名稱

SKF= Solenoid Operated Flow Controlled Valves  
電磁流量調整閥

### 2 SUBPLATE MOUNTING SIZE: 稱呼口徑

03=3/8"(9mm)  
ISO CETOP5  
DIN NG 10  
NFPA D05

### 3 CONNECTING TYPE 連接型式

G:TYPE:BASEPLATE MOUNTING TYPE (板式連接)

### 4 TYPE OF COIL 電磁線圈類型

A1:AC110 A2:AC220  
D1:DC12 D2:DC24  
R1:RF110 R2:RF220

### 5 DESIGN NO 設計編號

20:WIRING BOX TYPE (接線盒式)  
30:DIN TYPE D1:繼

### ◆ ACCESSORIES (G TYPE) 附屬配件(板式連接)

MODEL NO. 型式號碼	SOC HOL CAP SCREW 螺絲六角承扁螺絲
SF-03G	M6x65L 4pcs

**F**  
**SF**

# SOLENOID OPERATED FLOW CONTROL VALVES

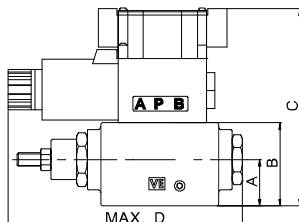
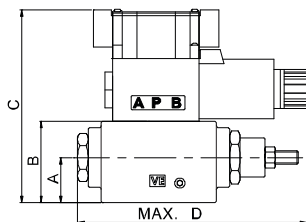
SF SERIES

電磁流量調整閥

## ◆ DIMENSIONS 外型尺寸圖

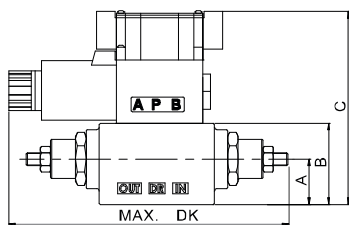
SF-03G

SDF-03G



## ◆ DIMENSIONS 外型尺寸圖

SKF-03G

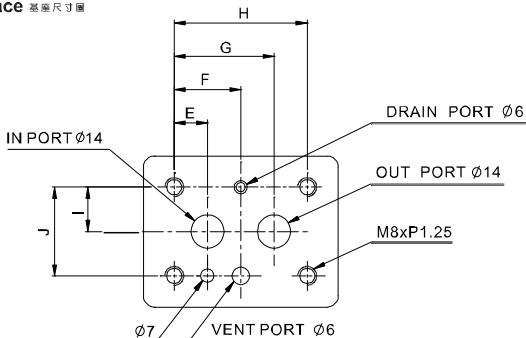


## ◆ Mounting Interface 基座尺寸圖

SF - 03G

SDF-03G

SKF-03G



A	B	C	D	DK	E	F	G
34.5 (1.358")	62 (2.441")	147 (5.787")	174.9 (6.884")	212.85 (68.38")	15 (0.591")	30 (1.181")	45 (1.772")

H	I	J
60 (2.362")	20 (0.787")	40 (1.358")

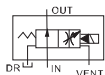
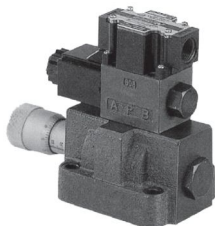
**F**  
**SF**

# SOLENOID OPERATED FLOW CONTROL VALVES

電磁流量調整閥

SF SERIES

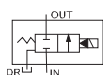
## ◆ MODEL 型式 SF-06G



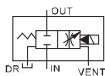
SF



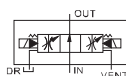
THF



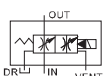
SD



SDF



SKF



SFD

## ◆ SPECIFICATIONS 規格

Model Number 型式號碼	Maximum Pressure 最大壓力 bar	Connecting PT 適用管徑	Maximum Flow 最大流量 lpm	Weight 重量 Kg	SOLENOID VALVES 電磁閥
SF - 06G	250 (3625 PSI)	3/4"	120 (31.70 gpm)	6.4(14.1 lbs)	WE-2B2L-02G
SDF-06G				6.4(14.1 lbs)	WE-2B2-02G
THF-06G				5.0(11.0 lbs)	
SD - 06G				6.1(13.4 lbs)	WE-2B2-02G
SFD-06G				6.7(14.8 lbs)	WE-2B2L-02G
SKF-06G				7.5(16.5 lbs)	WE-3C4-02G
Fluid Type 液體型式			ISO VG 32 , 46 , 68		
Viscosity 黏性 cSt			10-400 (59-1854 SSU)		
Operating Temperature 操作溫度 °C			-15~70 (-5~158°F)		
Contamination Level 污染標準			ISO4406. 21/19/16 NAS1638,10		

● All screws with metric measure, if require inch measure, please contact us.  
所有螺絲皆為公制標準規格品，若需英制螺絲請另外備註說明。

## ◆ HOW TO ORDER 編號說明

1	2	3	4	5
SF	— 06	G	— **	— 30

**1 VALVE SERIES** 系列名稱  
SF=Solenoid Operated Flow Control Valves

**2 SUBPLATE MOUNTING SIZE:** 稱呼口徑  
06= 3/4"(19mm)  
ISO CETOP8  
DIN NG 25  
NFFA D08

**3 CONNECTING TYPE** 連接型式  
G:TYPE:BASEPLATE MOUNTING TYPE (板式連接)

**4 TYPE OF COIL** 電磁線圈類型  
A1:AC110 A2:AC220  
D1:DC12 D2:DC24  
R1:RF110 R2:RF220

**5 DESIGN NO** 設計編號  
20:WIRING BOX TYPE (接線盒式)  
30:DIN TYPE D1:繼

## ◆ ACCESSORIES (G TYPE) 附屬配件(板式連接)

MODEL NO. 型式號碼	SOC HOL CAP SCREW 圓頭六角承高螺絲
SF-06	M10x45L 4pcs

**F**  
**SF**

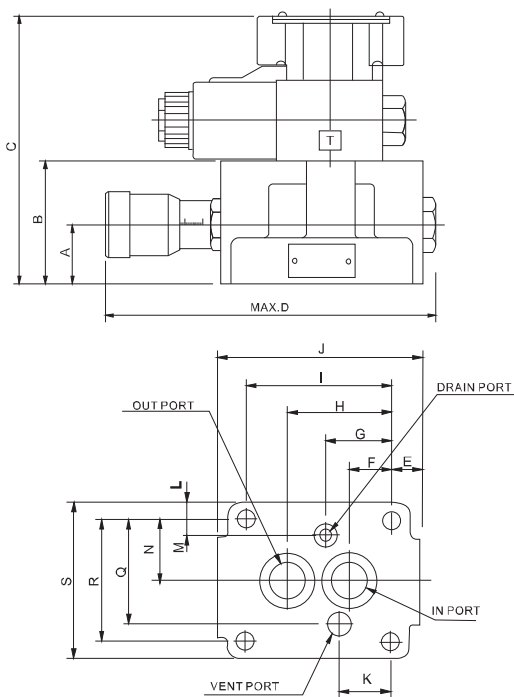
# SOLENOID OPERATED FLOW CONTROL VALVES

SF SERIES

電磁流量調整閥

## ◆ DIMENSIONS 外形尺寸圖

SF-06G



MODEL	A	B	C	D	E	F	G
SF-06G	35(1.38")	75(2.95")	162.5(6.40")	209(8.23")	17.5(0.69")	26(1.02")	40.5(1.59")

MODEL	H	I	J	K	L	M	N
SF-06G	64(2.52")	90(3.54")	125(4.92")	31.7(1.25")	10.5(0.41")	10(0.39")	37(1.46")

MODEL	Q	R	S
SF-06G	64(2.52")	74(2.91")	95(3.74")

**F**  
**SF**

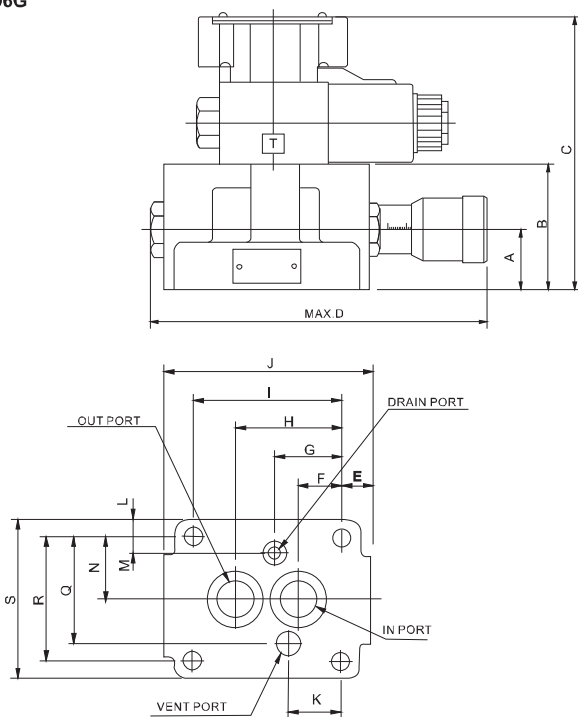
# SOLENOID OPERATED FLOW CONTROL VALVES

電磁流量調整閥

SF SERIES

## ◆ DIMENSIONS 外型尺寸圖

SDF-06G



MODEL	A	B	C	D	E	F	G
SDF-06G	35(1.38")	75(2.95")	62.5(6.40")	209(8.23")	17.5(0.69")	26(1.02")	40.5(1.59")

MODEL	H	I	J	K	L	M	N
SDF-06G	64(2.52")	90(3.54")	125(4.92")	31.7(1.25")	10.5(0.41")	10(0.39")	37(1.46")

MODEL	Q	R	S
SDF-06G	64(2.52")	74(2.91")	95(3.74")

**F**  
**SF**

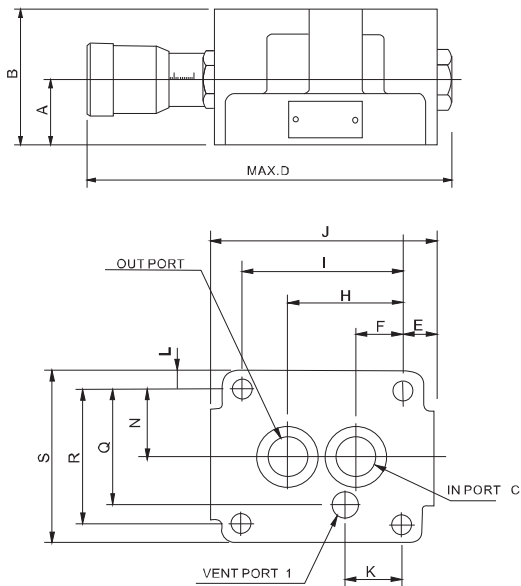
# SOLENOID OPERATED FLOW CONTROL VALVES

SF SERIES

電磁流量調整閥

## ◆ DIMENSIONS 外形尺寸圖

THF-06G



MODEL	A	B	C	D	E	F	H
THF-06G	35(1.38")	75(2.95")	26(1.02")	209(8.23")	17.5(0.69")	26(1.02")	64(2.52")

MODEL	I	J	K	L	N	Q	R
THF-06G	90(3.54")	125(4.92")	31.7(1.25")	10.5(0.41")	37(1.46")	64(2.52")	74(2.91")

MODEL	S
THF-06G	95(3.74")

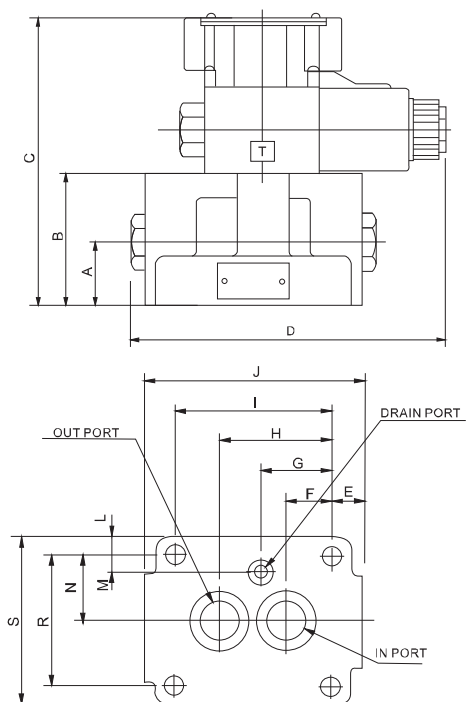
# SOLENOID OPERATED FLOW CONTROL VALVES

電磁流量調整閥

SF SERIES

## ◆ DIMENSIONS 外型尺寸圖

SD-06G



MODEL	A	B	C	D	E	F	G
SD-06G	35(1.38")	75(2.95")	162.5(6.40")	180(7.09")	17.5(0.69")	26(1.02")	40.5(1.59")

MODEL	H	I	J	L	M	N	R
SD-06G	64(2.52")	90(3.54")	125(4.92")	10.5(0.41")	10(0.39")	37(1.46")	74(2.91")

MODEL	S
SD-06G	95(3.74")

**F**  
**SF**

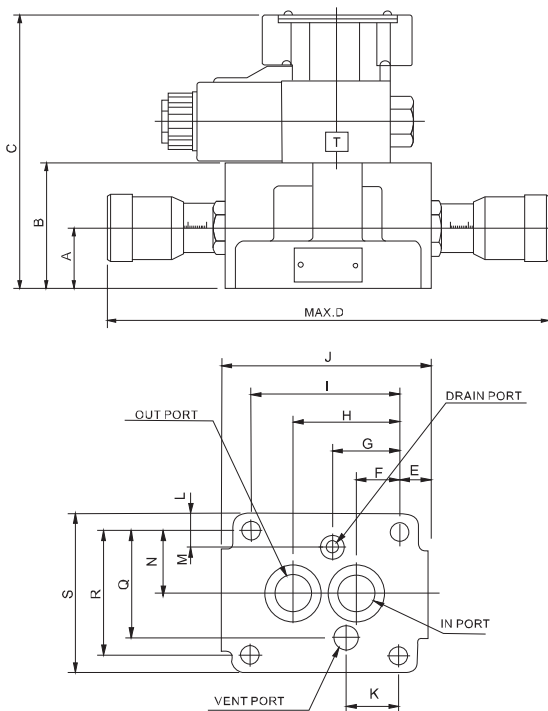
# SOLENOID OPERATED FLOW CONTROL VALVES

SF SERIES

電磁流量調整閥

## ◆ DIMENSIONS 外形尺寸圖

SFD-06G



MODEL	A	B	C	D	E	F	G
SFD-06G	35(1.38")	75(2.95")	162.5(6.40")	277(10.91")	17.5(0.69")	26(1.02")	40.5(1.59")

MODEL	H	I	J	K	L	M	N
SFD-06G	64(2.52")	90(3.54")	125(4.92")	31.7(1.25")	10.5(0.41")	10(0.39")	37(1.46")

MODEL	Q	R	S
SFD-06G	64(2.52")	74(2.91")	95(3.74")

**F**  
**SF**

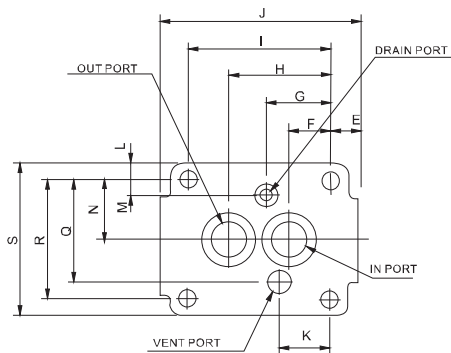
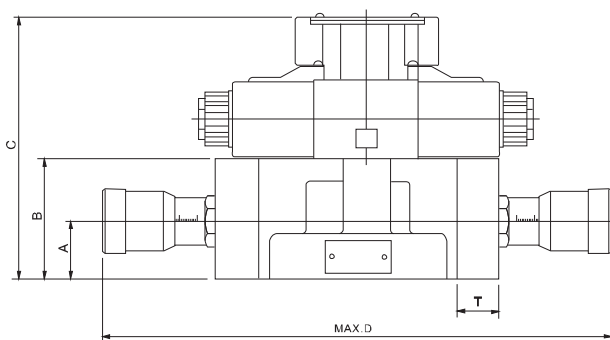


# SOLENOID OPERATED FLOW CONTROL VALVES

電磁流量調整閥

SF SERIES

## ◆ DIMENSIONS 外型尺寸圖 SKF-06G



MODEL	A	B	C	D	E	F	G
SKF-06G	35(1.38")	75(2.95")	162.5(6.40")	315(12.40")	17.5(0.69")	26(1.02")	40.5(1.59")

MODEL	H	I	J	K	L	M	N
SKF-06G	64(2.52")	90(3.54")	125(4.92")	31.7(1.25")	10.5(0.41")	10(0.39")	37(1.46")

MODEL	Q	R	S	T
SKF-06G	64(2.52")	74(2.91")	95(3.74")	27(1.06")

**F**  
**SF**

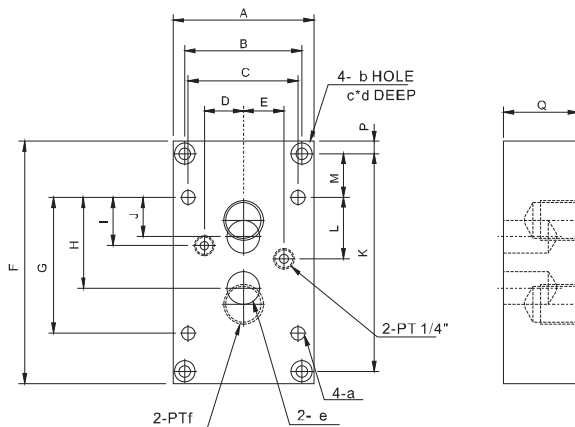
# SOLENOID OPERATED FLOW CONTROL VALVES

SF SERIES

電磁流量調整閥

## ◆ Mounting Interface 基準尺寸圖

SFM-06



MODEL	A	B	C	D	E	F	G	H
SFM-06	95(3.74")	79(3.11")	74(2.91")	27(1.06")	27(1.06")	160(6.30")	90(3.54")	64(2.52")

MODEL	I	J	K	L	M	P	Q	a
SFM-06	31.7(1.25")	26(1.02")	144(5.67")	40.5(1.59")	29(1.14")	8(0.31")	40(1.57")	M10

MODEL	b	c	d	e	f
SFM-06	8.5(0.33")	14(0.55")	10(0.39")	22(0.86")	3/4"