

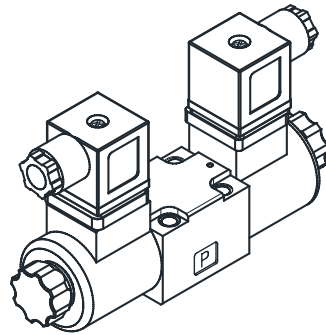
# SOLENOID OPERATED DIRECTIONAL VALVES

WE SERIES

電磁換向閥

## ◆ MODEL 型式

WE-01G / 05G



## ◆ FEATURES

- Casting iron valve bodies are provided strength and durability for longer life.
- Internal hardened steel components also provide durable life.

### 特點

- 閥本體鑄鐵強度夠且耐久性，壽命長。
- 內部硬鋼原件提高產品壽命。

## ◆ SPECIFICATIONS 規格

Model Number 型式號碼	Maximum Pressure 最大壓力 bar	Maximum tank line back pressure 最大容許背壓 bar	Maximum Tank Frequencies Of Pressure 最高切換頻率 CPM	Maximum Flow 最大流量 lpm	Weight 重量 Kg
WE- *C* -01G/05G-**-30	315 (4500 bar)	70 (1000 bar)	120 CPM	20 (5.28 gpm)	1.9 (4.2 lbs)
WE- *B* -01G/05G-**-30					1.4 (3.1 lbs)
Fluid Type 流體型式			ISO VG 32, 46, 68		
Viscosity 黏性 cSt			10~400 (59~1854 SSU)		
Operating Temperature 操作溫度 °C			-15~70 (-5~158 °F)		
Contamination Level 污染標準			ISO4406. 21/19/16 NAS1638,10		
Surface Treatment 表面處理			Zinc Phosphate Compound 鋅磷酸鹽 化合物		

● All screws with metric measure , if require inch measure , please contact us. 所附螺絲皆為公制標準規格品，若需英制螺絲請另外備註說明。

## ◆ HOW TO ORDER 編號說明

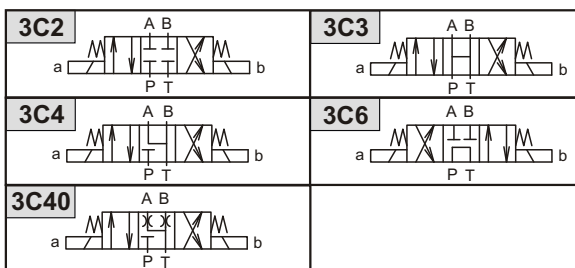
<b>1</b>	<b>2</b>	<b>3</b>	<b>4</b>	<b>5</b>	<b>6</b>
WE	***	**	G	**	30

### 1 VALVE SERIES 系列名稱

WE=Solenoid Operated Directional Valves

### 2 SPOOL TYPE 滑柱型式

SPRING CENTERED 3 POSITIONS 彈簧中心三位置



SPRING 2 POSITIONS 彈簧二位置



### 3 SUBPLATE MOUNTING SIZE: 稱呼口徑

01=1/4"(6mm)      05=1/4"(6mm)  
ISO CETOP3  
DIN NG 6  
NFPA D03

### 4 CONNECTING TYPE 連接型式

G:TYPE:BASEPLATE MOUNTING TYPE  
G: (板式連接)

### 5 TYPE OF COIL 電磁閥電磁線圈類型

A1 : RAC110V 50HZ / 60HZ  
A2 : RAC220V 50HZ / 60HZ  
D1 : DC 12  
D2 : DC 24

### 6 WIRING TYPE 接線型式

30 : DIN TYPE (DIN 43650-A/ISO4400)  
DIN型 (DIN 43650-A/ISO4400)

## ◆ TYPE OF COIL 電磁閥電磁線圈類型

Electric Source 電源	Coil Type 電磁線圈類型	Voltage (V) 電壓			Resistance 電阻 Ω	Holding Current 固定電流 mA	Power 功率 w
		Source Rated 最大值	Hz 頻率	Range 範圍			
AC	COB08- A1	RAC 110V	50 / 60	100 ~ 120	570	0.19	17
	COB08- A2	RAC 220V	50 / 60	200 ~ 240	2323	0.1	17
DC	COD08- D1	DC 12	-	10.9 ~ 13.2	8.7	1.7	17
	COD08- D2	DC 24	-	21.8 ~ 26.4	3.2	0.9	17

● Above value based on temperature 30°C, electric voltage allowance 15%. 以上數據基礎為溫度30，電壓容許度15%。

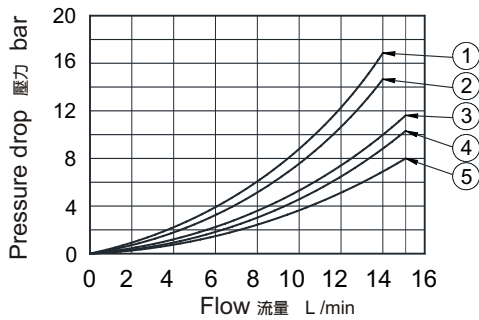
● More information of coil please refer our catalogue\_coil, or contact with us. 以上線圈詳細資料請參閱線圈目錄或與本公司聯繫。

# SOLENOID OPERATED DIRECTIONAL VALVES

電磁換向閥

WE SERIES

## ◆ PERFORMANCE CURVES 性能曲線



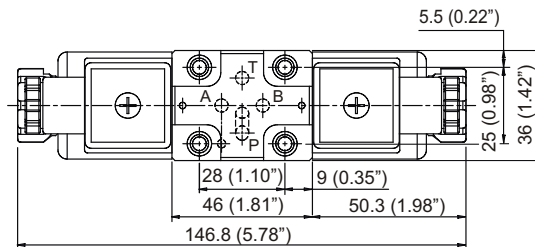
Test Conditions 測試條件  
 Viscosity 黏度 : 30mm<sup>2</sup> (141 SSU)  
 Proportion 比重 : 0.850

Model Number 型式編號	Pressure drop Curve Number 壓力降曲線編號				
	P→A	B→T	P→B	A→T	P→T
WE-3C2-01G/05G	④	④	④	④	-
WE-3C2-01G/05G	⑤	⑤	⑤	⑤	③
WE-3C2-01G/05G	④	④	④	④	-
WE-2B2-01G/05G	①	①	④	④	-
WE-2B3-01G/05G	②	②	④	④	-

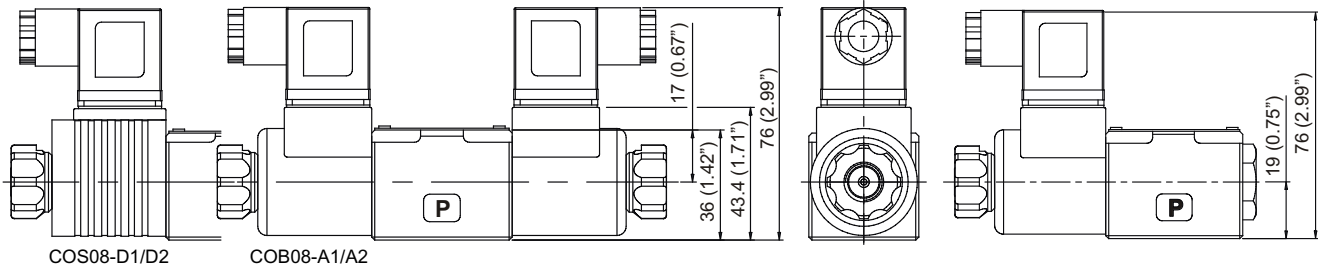
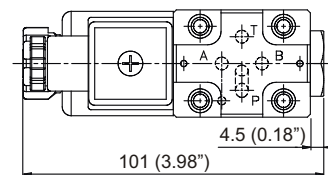
● The pressure drop ( $\Delta P'$ ) can be obtained from the formula :  
 $\Delta P' = \Delta P (G'/0.85)$  for other specific gravity ( $G'$ ).  
 對其比重  $G'$ , 壓降  $\Delta P'$  可由下式求得:  $\Delta P' = \Delta P (G'/0.85)$ .

## ◆ DIMENSIONS 外型尺寸圖

### WE-3C\* - 01G / 05G

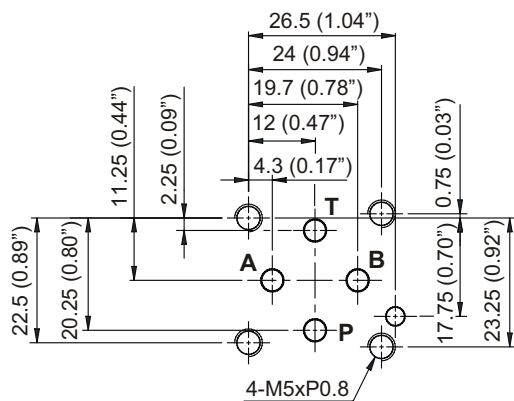


### WE-2B\* - 01G / 05G



## ◆ Mounting Interface 基座尺寸圖

WE-01G  
 ISO 4401-02-01-0-94



## ◆ Mounting Interface 基座尺寸圖

WE-05G

