

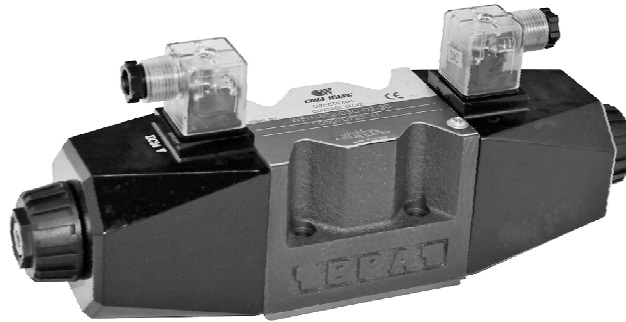
SOLENOID OPERATED DIRECTIONAL VALVES

WEH SERIES

電磁換向閥

◆ MODEL 型 式

WEH-03G



◆ FEATURES

- Casting iron valve bodies are provided strength and durability for longer life.
- Internal hardened steel components also provide durable life.

特 點

- 閥本體鑄鐵強度夠且耐久性，壽命長。
- 內部硬鋼原件提高產品壽命。

◆ SPECIFICATIONS 規 格

Model Number 型式號碼	Maximum Pressure 最大壓力 bar	Maximum tank line back pressue 最大容許背壓 bar	Maximum tank frequencies of operation 最高切換頻率 CPM	Maximum Flow 最大流量 lpm	Weight 重量 Kg
WEH-*C*-03G-**-20	350 (5076 psi)	210 (3045 psi)	300 CPM	160 (42.26 gpm)	
WEH-*B*-03G-**-20					
WEH-*C*-03G-**-30					
WEH-*B*-03G-**-30					
Fluid Type 流體型式			ISO VG 32, 46, 68		
Viscosity 黏性 cSt			10~400 (59~1854 SSU)		
Operating Temperature 操作溫度 °C			-15~70 (-5~158°F)		
Contamination Level 污染標準			ISO4406. 21/19/16 NAS1638,10		
Surface Treatment 表面處理			Zinc Phosphate Compound 鋅磷酸鹽化合物		

- All screws with metric measure , if require inch measure , please contact us.

所附螺絲皆為公制標準規格品，若需英制螺絲請另外備註說明。

◆ HOW TO ORDER 編號說明

1	2	3	4	5	6
WEH	***	03	G	**	20

1 VALVE SERIES 系列名稱

WEH=Solenoid Operated Directional Valves

2 SPOOL TYPE 滑柱型式

Detail as next 明細見下頁
page listed

3 SUBPLATE MOUNTING SIZE: 稱呼口徑

03 = 3/8"(9mm)
ISO CETOP5
DIN NG 10
NFPA D05

4 CONNECTING TYPE 連接型式

G:TYPE:BASEPLATE MOUNTING TYPE
G : (板式連接)

5 TYPE OF COIL 電磁閥電磁線圈類型

A1 : AC110 60HZ D1 : DC12
A115 : AC115 50HZ D2 : DC24
A230 : AC230 50HZ R1 : RF110 60HZ/50HZ
A2 : AC220 60HZ R2 : RF220 60HZ/50HZ

6 WIRING TYPE 接線型式

20: WIRING BOX TYPE 接線盒式
30: DIN TYPE DIN型

SOLENOID OPERATED DIRECTIONAL VALVES

電磁換向閥

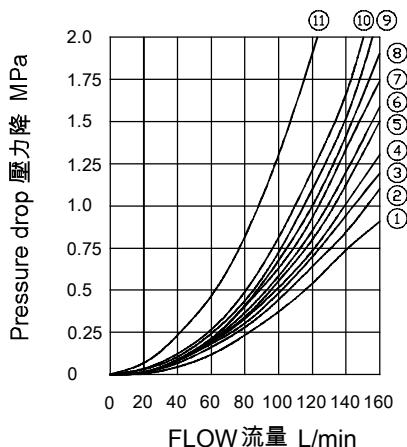
WEH SERIES

◆ SOLENOID RATINGS: 電磁定率

ELECTRIC SOURCE 電源	COIL TYPE 電磁線圈類型	VOLTAGE (V) 電壓		CURRENT & POWER AT RATED VOLTAGE 最大電壓的電流和電源功率		
		SOURCE RATED 最大值	HZ 頻率	IN-RUSH 啟動電流 CURRENT(A)	HOLDING 固定電流 CURRENT(A)	WATTAGE 瓦特數
AC	A1	AC100	50	6.8	0.69	60
			60	5.9	0.49	51
	A2	AC200	50	3.4	0.35	84
			60	3.0	0.25	70
	A230	AC220	50	3.1	0.32	56
			60	2.9	0.26	56
			60	3.0	0.27	62
	R2	AC220	50/60	—	0.2	38
DC	D1	DC12	—	—	3.17	38
	D2	DC24	—	—	1.58	38

● Above value based on temperature 30°C, electric voltage allowance 15%.
以上數據基礎為溫度30°，電壓容許度15%。

◆ PERFORMANCE CURVES 性能曲線



Spool Type 滑柱型式	Pressure Drop Curve Number 壓力降曲線編號								
	Change Movement 切換時				Neutral 中立時				
	P→A	B→T	P→B	A→T	P→T	A→T	B→T	P→A	P→B
C2	⑤	③	⑤	③	—	—	—	—	—
C3	⑦	⑩	⑦	⑩	⑧	⑧	⑧	⑥	⑥
C4	⑤	⑨	⑤	⑨	—	④	④	—	—
C5	⑥	③	⑨	⑪	⑩	②	—	⑥	—
C6	①	⑩	①	⑩	⑪	—	—	—	—
C8	⑤	—	⑤	—	—	—	—	—	—
C9	⑥	③	⑥	③	—	—	—	⑦	⑦
C10	⑤	⑨	⑤	③	—	—	④	—	—
C12	⑤	③	⑤	⑨	—	④	—	—	—
2B2	⑥	③	⑥	③	—	—	—	—	—
2B3	⑥	⑨	⑥	⑥	—	—	—	—	—
2D2	⑦	③	⑦	③	—	—	—	—	—

◆ SPOOL TYPES 滑柱型式

SPRING CENTERED 3 POSITIONS 彈簧中心三位置

NO SPRING 2 POSITIONS 無彈簧二位置

--	--

SPRING 2 POSITIONS 彈簧二位置

--	--

SOLENOID OPERATED DIRECTIONAL VALVES

WEH SERIES

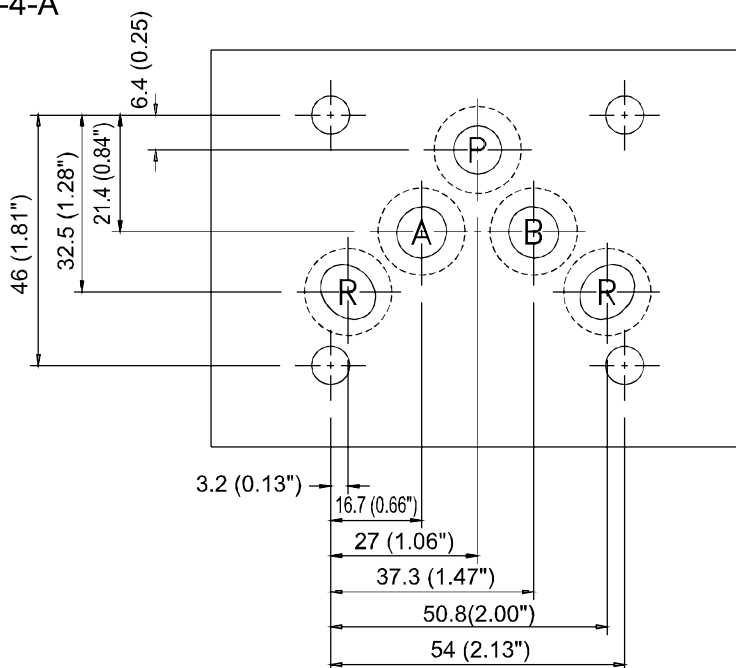
電磁換向閥

2 POSITIONS 二位置

TYPE 類型	GRAPHIC SYMBOLS 圖形符號		TYPE 類型	TYPE 類型	GRAPHIC SYMBOLS 圖形符號		TYPE 類型
	STANDARD ASSEMBLAGE 標準配置	REVERSE ASSEMBLAGE 反向配置			STANDARD ASSEMBLAGE 標準配置	REVERSE ASSEMBLAGE 反向配置	
2B2A			2B2AL	2B2B			2B2BL
2B3A			2B3AL	2B3B			2B3BL
2B4A			2B4AL	2B4B			2B4BL
2B40A			2B40AL	2B40B			2B40BL
2B5A			2B5AL	2B5B			2B5BL
2B6A			2B6AL	2B6B			2B6BL
2B7A			2B7AL	2B7B			2B7BL
2B8A			2B8AL	2B8B			2B8BL
2B9A			2B9AL	2B9B			2B9BL
2B10A			2B10AL	2B10B			2B10BL
2B11A			2B11AL	2B11B			2B11BL
2B12A			2B12AL	2B12B			2B12BL

◆ Mounting Interface 基座尺寸圖

ISO 4401-AC-05-4-A



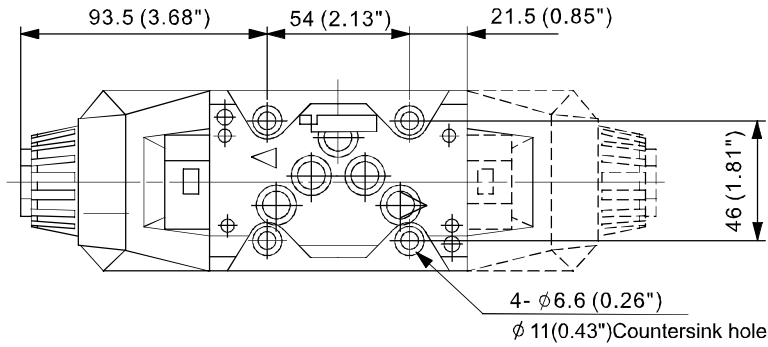
SOLENOID OPERATED DIRECTIONAL VALVES

電磁換向閥

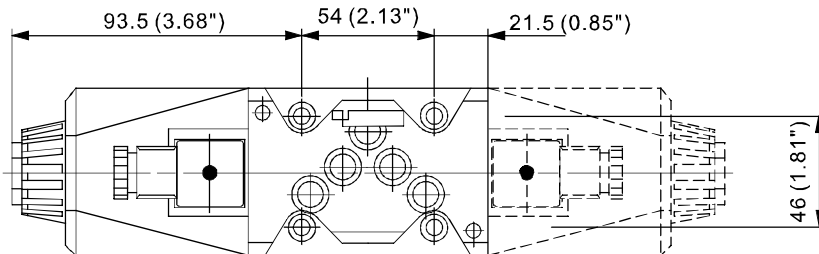
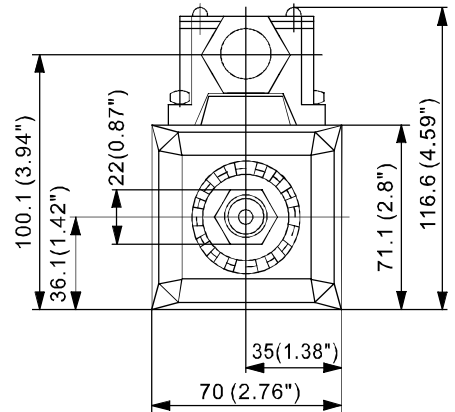
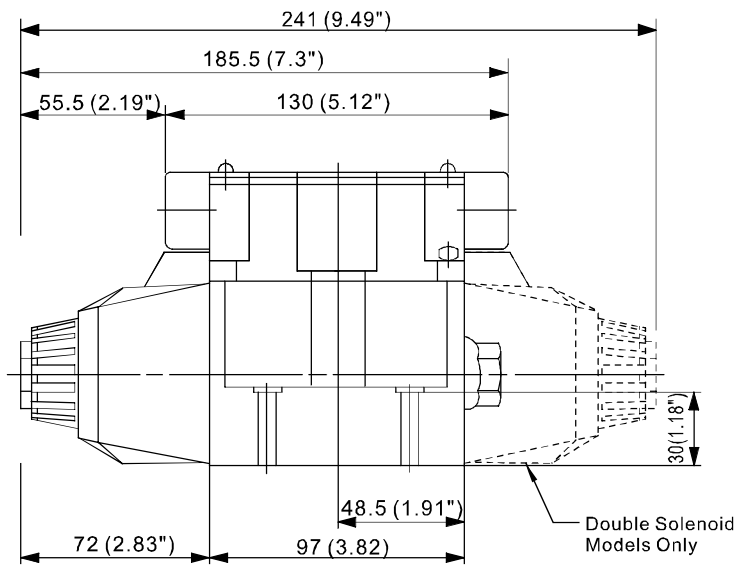
WEH SERIES

A
WEH

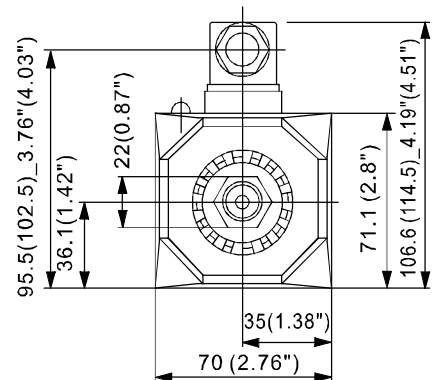
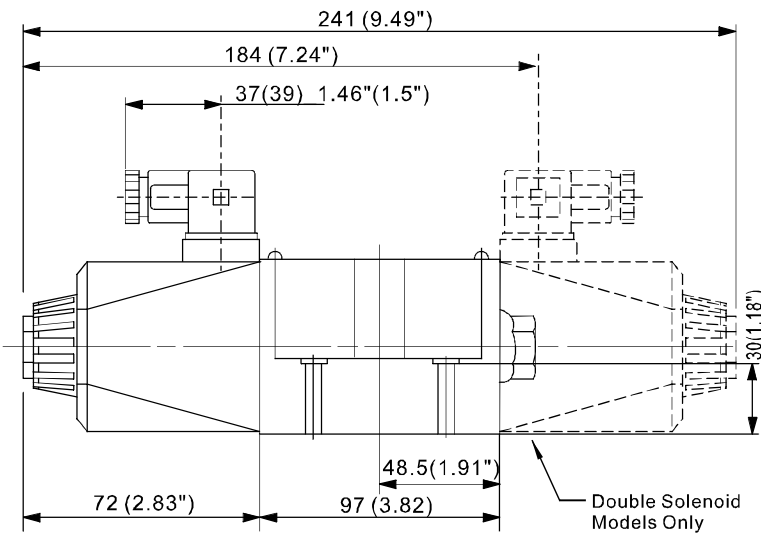
◆ DIMENSIONS 外型尺寸圖



WEH-03G-A2-20



WEH-03G-A2-30



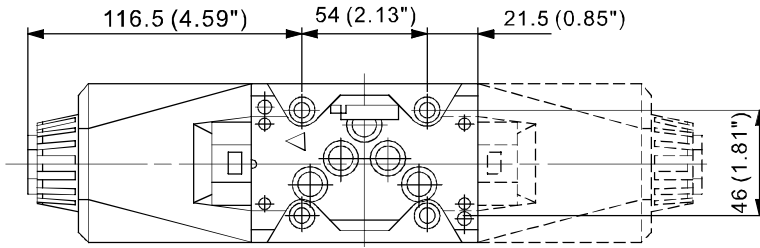
SOLENOID OPERATED DIRECTIONAL VALVES

WEH SERIES

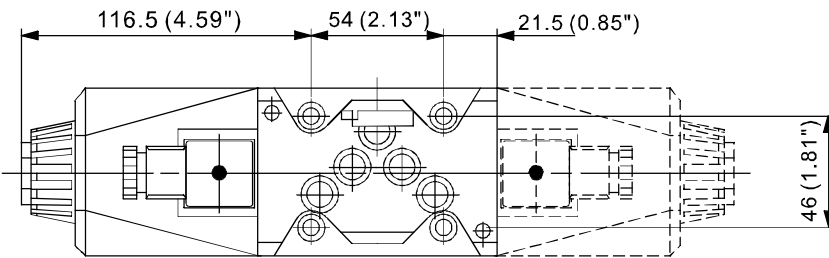
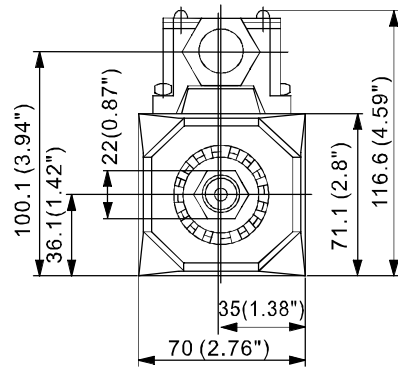
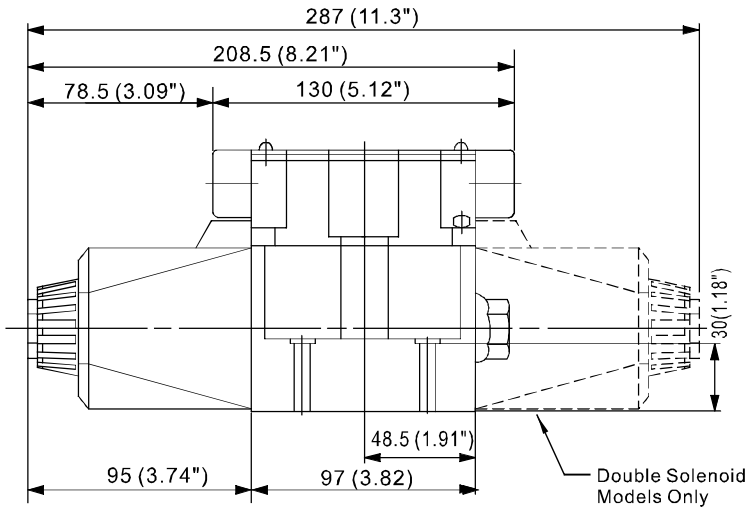
電磁換向閥

A
WEH

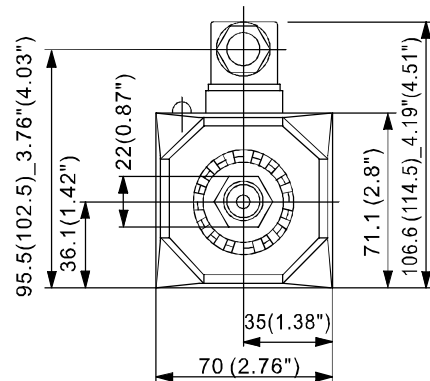
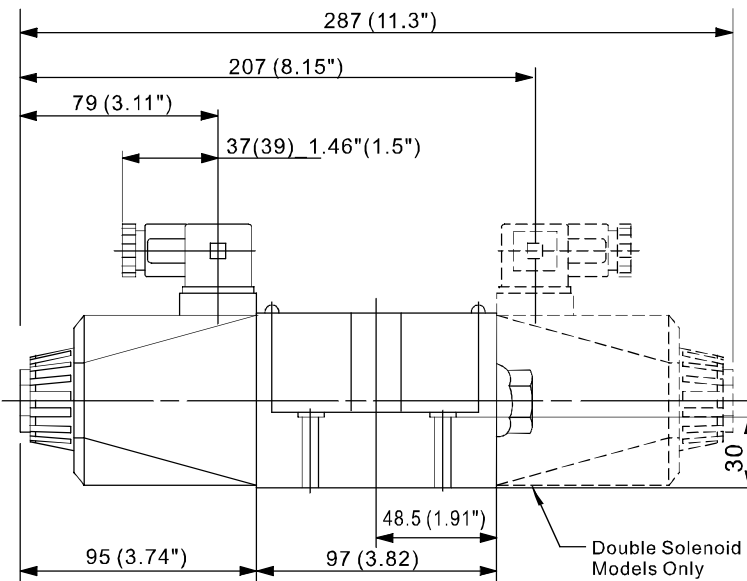
◆ DIMENSIONS 外型尺寸圖



WEH-03G-D2-20



WEH-03G-D2-30



SOLENOID OPERATED DIRECTIONAL VALVES

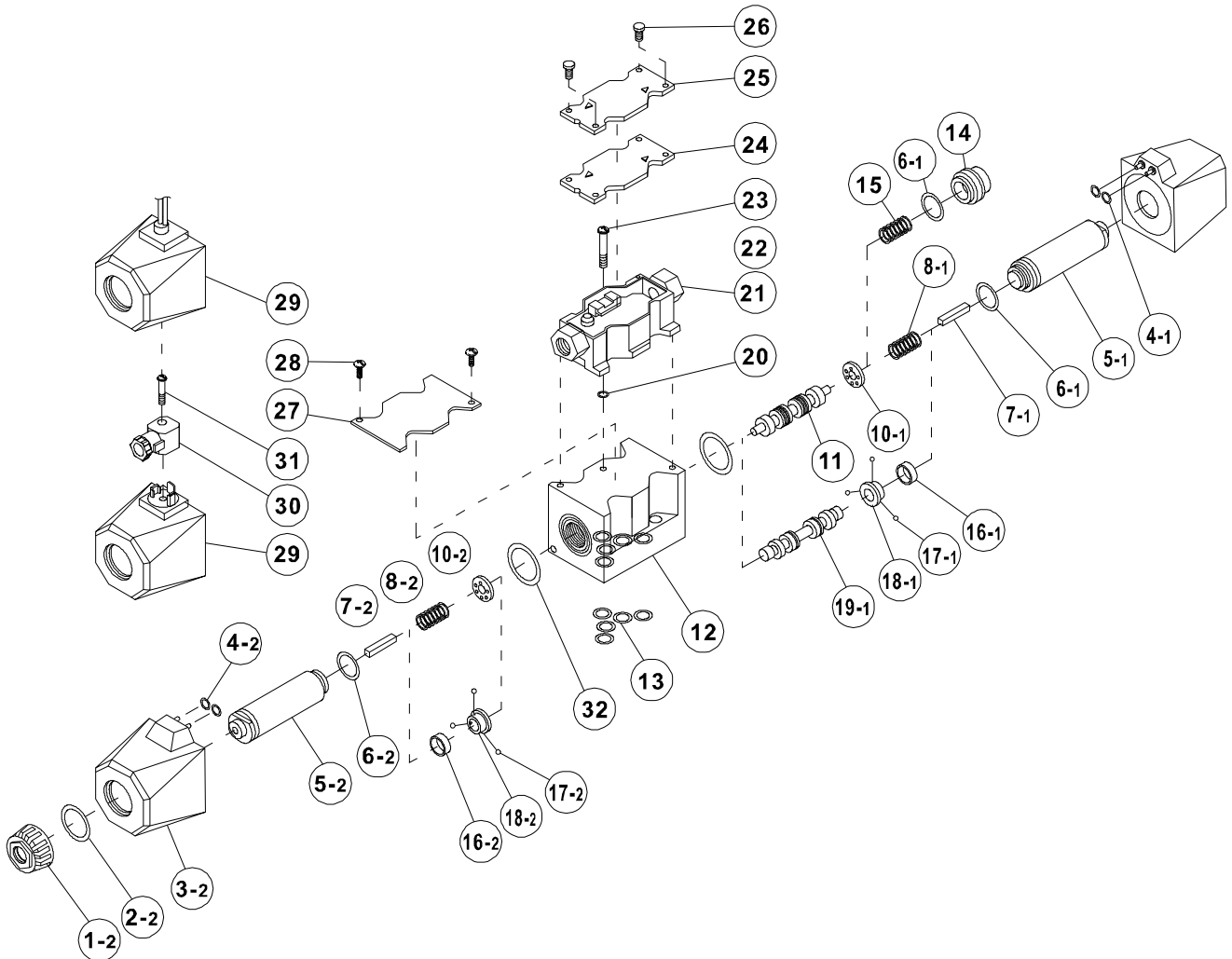
電磁換向閥

WEH SERIES

A
WEH

◆ PARTS LIST OF WEH-03G SERIES

零件爆炸視圖



◆ SEAL KITS 油封配件

NO	Description	Q'ty	Specification
2-2	O-ring	1	AS216
4-2	O-ring	1	P4
6-2	O-ring	1	AS-117
13	O-ring	5	P12
20	O-ring	1	AS-008

● For information of subplate please visit our website catalogue [_M02/03/04/06/10](#), or contact with us.

底板資訊請參考本公司網站目錄 [_M02/03/04/06/10](#), 或與本公司聯繫