

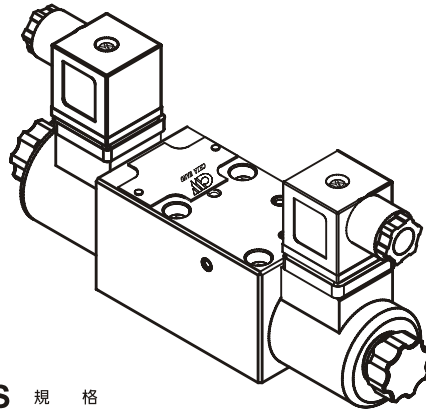
SOLENOID OPERATED DIRECTIONAL VALVES

WEM SERIES

電磁換向閥

◆ MODEL 型式

WEM-05G



◆ FEATURES

- Casting iron valve bodies are provided strength and durability for longer life.
- Internal hardened steel components also provide durable life.

特點

- 閥本體鑄鐵強度夠且耐久性，壽命長。
- 內部硬鋼原件提高產品壽命。

◆ SPECIFICATIONS 規格

Model Number 型式號碼	Maximum Pressure 最大壓力 bar	Maximum Tank Line Back Pressure 最大容許背壓 bar	Maximum Tank Frequencies Of Pressure 最高切換頻率 CPM	Maximum Flow 最大流量 lpm	Weight 重量 Kg
WEM-05G	250 (3625 bar)	70 (1015 bar)	120 CPM	20 (5.28 gpm)	5.3 (5.1 lbs)
Fluid Type 流體型式			ISO VG 32, 46, 68		
Viscosity 黏性 cSt			10~400 (59~1854 SSU)		
Operating Temperature 操作溫度 °C			-15~70 (-5~158 °F)		
Contamination Level 污染標準			$\beta_{10} \geq 75$, Under NAS Class 12, 25 μ		
Surface Treatment 表面處理			Zinc Phosphate Compound 鋅磷酸鹽 化合物		

● All screws with metric measure , if require inch measure , please contact us. 所附螺絲皆為公制標準規格品，若需英制螺絲請另外備註說明。

◆ HOW TO ORDER 編號說明

1	2	3	4	5	6
WEM	***	05G	D1	**	30

1 VALVE SERIES 系列名稱

WE=Solenoid Operated Directional Valves

2 SPOOL TYPE 滑柱型式

SPRING CENTERED 3 POSITIONS 彈簧中心三位置



3 SUBPLATE MOUNTING SIZE 稱呼口徑

05G=1/4"(6mm)
ISO CETOP 3
DIN NG 6
NFPA D03

4 SOLENOID RATINGS 電磁定率

TYPE OF COIL 電磁閥電磁線圈類型

D1 : DC 12
D2 : DC 24

5 WIRING TYPE 接線型式

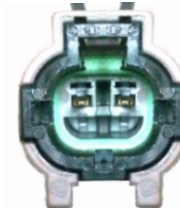
30 : DIN TYPE (DIN 43650-A/ISO4400)
DIN型 (DIN 43650-A/ISO4400)

XD : XD - CONNECTOR TYPE XD-連接器型式
(APPLICATION FOR DC COIL_ IRON COVER / IP65)
(只適用DC線圈_鐵製外殼 / IP65)

◆ CONNECTOR TYPE 連接器型式

Order 編號	(OEM) Type 型號	Model 型式
XD	MZ 60 / MZ 65 SMZ 76 / SMZ 80 SMZ 85 / SMZ 90 / SMZ 95	Kubota 久保田

DC 12V
DC 24V



◆ TYPE OF COIL 電磁閥電磁線圈類型

Electric Source 電源	Coil Type 電磁線圈類型	Voltage (V) 電壓		Resistance 電阻 Ω	Holding Current 固定電流 mA	Power 功率 w
		Source Rated 最大值	Range 範圍			
DC	COD08- D1	DC 12	10.9 ~ 13.2	8.7	1.7	17
	COD08- D2	DC 24	21.8 ~ 26.4	3.2	0.9	17

● Above value based on temperature 30°C, electric voltage allowance 15%. 以上數據基礎為溫度30，電壓容許度15%。

● More information of coil please refer our catalogue_coil, or contact with us. 以上線圈詳細資料請參閱線圈目錄或與本公司聯繫。

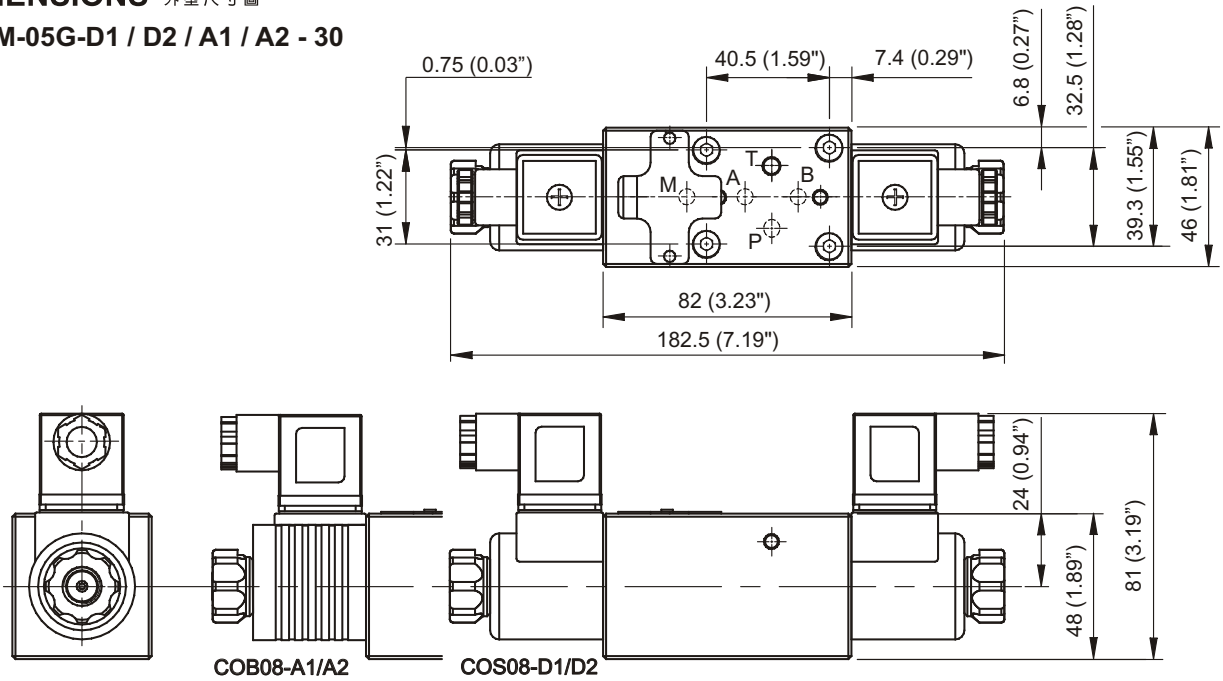
SOLENOID OPERATED DIRECTIONAL VALVES

電磁換向閥

WEM SERIES

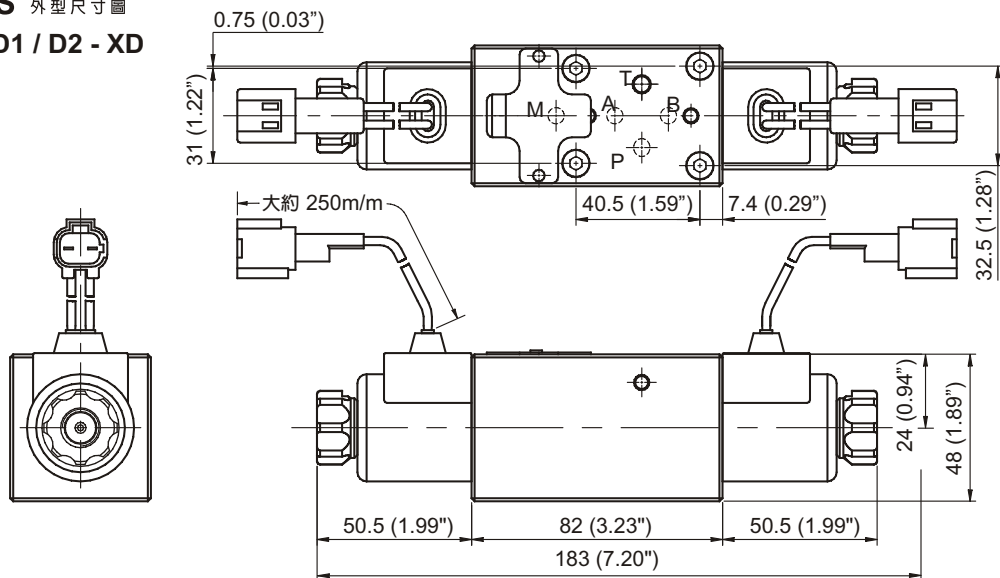
◆ DIMENSIONS 外型尺寸圖

WEM-05G-D1 / D2 / A1 / A2 - 30



◆ DIMENSIONS 外型尺寸圖

WEM - 05G - D1 / D2 - XD



◆ Mounting Interface 基座尺寸圖

