

UNLOADING RELIEF VALVES

BUGG SERIES

卸載溢流閥

◆ MODEL 型 式

BUCG-06G



◆ SPECIFICATIONS 規 格

Model Number 型式號碼	Maximum Pressure 最大壓力 bar	Connecting PT 通用管徑	Maximum Flow 最大流量 lpm	Weight 重量 Kg
BUCG-03G	250 (3625 psi)	3/8"	90 (23.78 gpm)	8.5 (18.7 lbs)
BUCG-06G		3/4"	200 (52.84 gpm)	12.5 (27.6 lbs)
Fluid Type 液體型式			ISO VG 32 , 46 , 68	
Viscosity 黏性 cSt			10~400 (59~1854 SSU)	
Operating Temperature 操作溫度 °C			-15~70 (-5~158°F)	
Contamination Level 污染標準			ISO4406. 21/19/16 NAS1638,10	

● All screws with metric measure , if require inch measure , please contact us.

附附螺絲若為公制標準規格者，若需英制螺絲請另外備註說明。

◆ HOW TO ORDER 請裝說明

1	2	3	4	5
BUCG	06	G	3	30

1 VALVE SERIES 系列名稱
BUCG= Unloading Relief Valves

3 CONNECTING TYPE 連接型式
G:TYPE:BASEPLATE MOUNTING TYPE (板式連接)

2 SUBPLATE MOUNTING SIZE: 稱呼口徑
03 = 3/8"(9mm) 06= 3/4"(19mm)
ISO CETOP5 ISO CETOP8
DIN NG 10 DIN NG 25
NFPA D05 NFPA D08

4 PRESSURE ADJUSTMENT 壓力調整範圍
1. ★ - 70 bar 2. 8 - 140 bar 3. 8 - 250 bar

5 DESIGN NO 設計編號

◆ ACCESSORIES 附屬配件

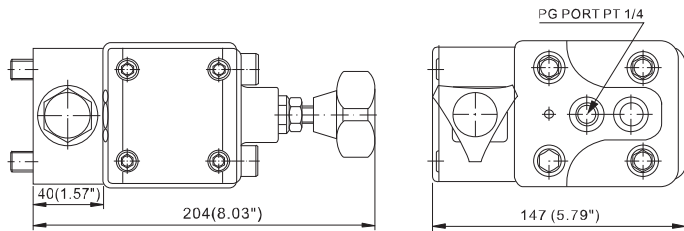
MODEL 型 式	SOCHOL CAP SCREW/ 安裝螺絲 (HEX COUNTER SINK SCREW) 扁頭內六角螺絲	
BUCG-03G	M12 x110L	2
	M12 x135L	2
	M16 x55L	2
BUCG-06G	M16 x110L	2
	M16 x130L	2

◆ CONTROL PORT(S) 動作形式

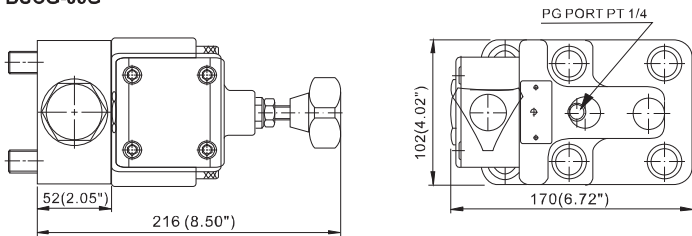


◆ DIMENSIONS 外型尺寸圖

BUCC-03G

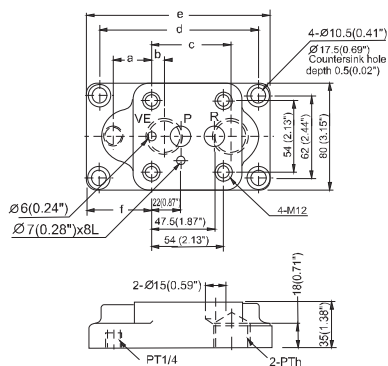


BUCC-06G

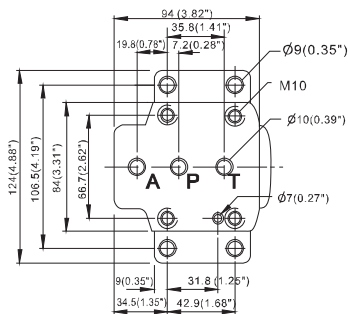


◆ Mounting Interface 基座尺寸圖

BUCC-03G



DA-03



UNLOADING RELIEF VALVES

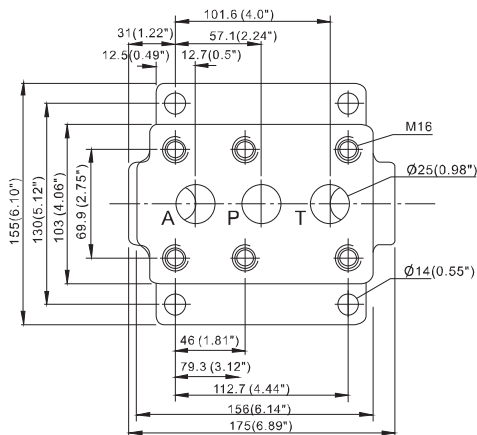
BUCG SERIES

卸載溢流閥

◆ Mounting Interface 基準尺寸圖

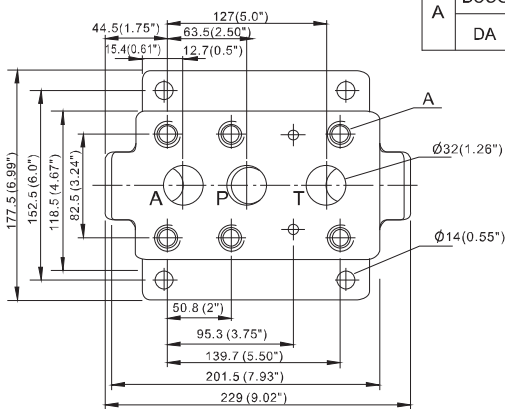
BUCG-06G

DA-06G



BUCG-10G

DA-10G



A	BUCG	M20
	DA	M18