

◆ MODEL 型 式

DA-06G



◆ SPECIFICATIONS 規 格

Model Number 型式號碼	Maximum Pressure 最大壓力 bar	Connecting PT 適用管徑	Maximum Flow 最大流量 lpm	Weight 重量 Kg
DA-03G	315 (4500 psi)	3/8"	60 (15.85 gpm)	7 (15.4 lbs)
DA-06G		3/4"	120 (31.70 gpm)	12.5 (27.6 lbs)
DA-10G		1-1/4"	240 (63.40 gpm)	12.5 (27.6 lbs)
Fluid Type 液體型式			ISO VG 32, 46, 68	
Viscosity 黏性 cSt			10~400 (59~1854 SSU)	
Operating Temperature 操作溫度 °C			-15~70 (-5~158 °F)	
Contamination Level 污染標準			ISO4406, 21/19/16 NAS1638,10	

● All screws with metric measure, if require inch measure, please contact us.

● 所有螺絲皆為公制標準規格，若需英制螺絲請另外備註說明。

◆ HOW TO ORDER 編號說明

1	2	3	4	5
DA	06	G	3	30

1 VALVE SERIES 系列名稱

DA= Unloading Relief Valves

2 SUBPLATE MOUNTING SIZE: 稱呼口徑

03 = 3/8"(9mm) 06 = 3/4"(19mm)
 ISO CETOP5 ISO CETOP8
 DIN NG 10 DIN NG 25
 NFPA D05 NFPA D08

10 = 1 1/4"(31.8mm)
 ISO CETOP10
 DIN NG 32
 NFPA D10

3 CONNECTING TYPE 連接型式

G:TYPE:BASEPLATE MOUNTING TYPE (板式連接)

4 PRESSURE ADJUSTMENT 壓力調整範圍

1. ★ - 100 bar 3. 8 - 315 bar

5 DESIGN NO 設計編號

◆ ACCESSORIES 附屬配件

MODEL 型 式	SOCHOL CAP SCREW 安裝螺絲 (HEX. COUNTER-SINK SCREW) 圓頭內六角螺絲	
DA-03G	M12 x80L	4
DA-06G	M16 x95L	4
	M16 x55L	2
DA-10G	M18 x55L	2
	M18 x110L	4

◆ CONTROL PORT(S) 動作形式



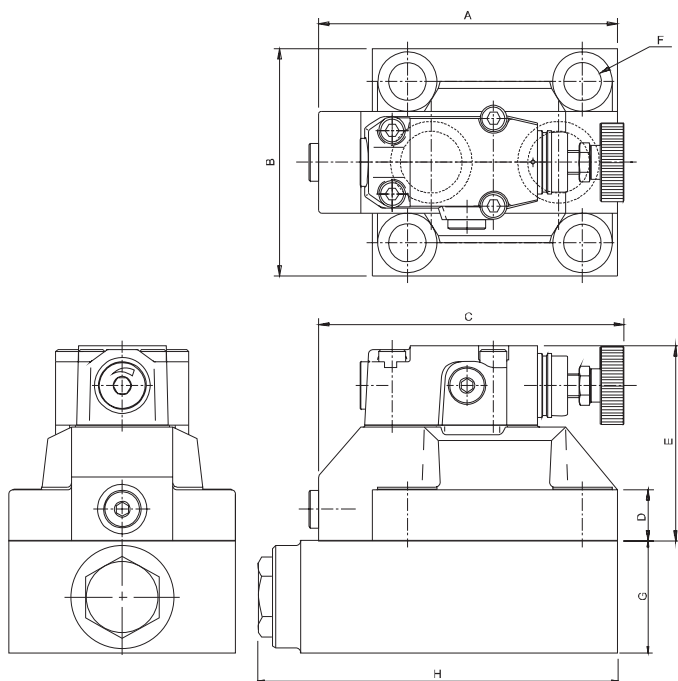
UNLOADING RELIEF VALVES

DA SERIES

卸載溢流閥

◆ DIMENSIONS 外型尺寸圖

DA-03. 06. 10G



MODEL	A	B	C	D	E	F	G	H
DA-03	91 (3.58")	78 (3.07")	135 (5.31")	26 (1.02")	98 (3.86")	14(0.55")	40(1.57")	132(5.20")
DA-06	116 (4.57")	100 (3.94")	144 (5.67")	26 (1.02")	98 (3.86")	18(0.71")	52(2.05")	167(6.57")
DA-10	148 (5.83")	115 (4.53")	154 (6.06")	26 (1.02")	98 (3.86")	20(0.79")	67(2.64")	198(7.80")