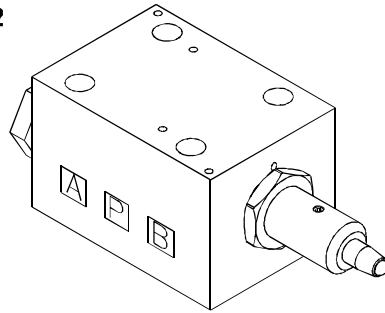


CAM OPERATED DIRECTIONAL VALVES

DG21V SERIES

凸輪行程換向閥

◆ MODEL 型式 DG21V-2B2



◆ SPECIFICATIONS 規格

Model Number 型式號碼	Maximum Pressure 最大壓力 bar	Connecting PT 適用管徑	Maximum Flow 最大流量 lpm	Weight 重量 Kg
DG21V-2B2	250 (3625 psi)	1/4"	30 (7.93 gpm)	1.3 (2.9 lbs)
Fluid Type 流體型式		ISO VG 32, 46, 68		
Viscosity 黏性 cSt		10~400 (59~1854 SSU)		
Operating Temperature 操作溫度 °C		-15~70 (-5~158 °F)		
Contamination Level 污染標準		ISO4406. 21/19/16 NAS1638,10		
Surface Treatment 表面處理		Zinc Phosphate Compound 鋅磷酸鹽化合物		

◆ HOW TO ORDER 編號說明

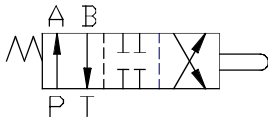
1	2	3	4
DG21V	— 2B2	— 02	G

● All screws with metric measure, if require inch measure, please contact us.
所附螺絲皆為公制標準規格品，若需英制螺絲請另外備註說明。

1 VALVE SERIES 系列名稱

DG21V= Cam Operated Directional Valves

2 CONTROL PORT(S) 動作形式



3 SUBPLATE MOUNTING SIZE: 稱呼口徑

02=1/4"(6mm)
ISO CETOP3
DIN NG 6
NFPA D03

4 CONNECTING TYPE 連接型式

G:TYPE:BASEPLATE MOUNTING TYPE (板式連接)

◆ DIMENSIONS

外型尺寸圖

ISO 4401-AB-03-4-A

