

◆ **MODEL 型 式**  
RV-02G



◆ **FEATURES**

- Casting iron bodies are provided strength and durability for longer life.
- Internal hardened steel components also provide durable life.

- 特 點
- 鑄本體高強度與耐用性，壽命長。
- 內置硬鋼零件提高壽命。

◆ **SPECIFICATIONS 規 格**

Model Number 型式號碼	Maximum Pressure 最大壓力 bar	Connecting PT 適用管徑	Maximum Flow 最大流量 lpm	Weight 重量 Kg
RV-02G	315 (4500 psi)	1/4"	16 (4.23 gpm)	1.2 (2.7 lbs)
RV-02T				1.4 (3.1 lbs)
Fluid Type 液體型式			ISO VG 32, 46, 68	
Viscosity 黏性 cSt			10-400 (59-1854 SSU)	
Operating Temperature 操作溫度 °C			-15~70 (-5~158°F)	
Contamination Level 污染標準			ISO4406. 21/19/16 NAS1638,10	

● All screws with metric measure, if require inch measure, please contact us.

所有螺絲皆為公制標準規格。若有英制螺絲請另外備註說明。

◆ **HOW TO ORDER 編號說明**

<b>1</b>	<b>2</b>	<b>3</b>	<b>4</b>	<b>5</b>
RV	— 02	* —	— 1	— 30

**1 VALVE SERIES 系列名稱**  
RV= Relief Valves

**2 SUBPLATE MOUNTING SIZE: 前罩口徑**  
02 = 1/4"(6mm)  
ISO CETOP3  
DIN NG 6  
NFPA D03

**3 CONNECTING TYPE 連接型式**

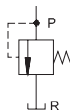
T:TYPE:THREADING TYPE (螺紋連接)  
G:TYPE:BASEPLATE MOUNTING TYPE (板式連接)

**4 ADJUSTMENT PRESSURE 壓力調整範圍**

1. \* - 70 bar
3. 8 - 210 bar
4. 8 - 315 bar

**5 DESIGN NO 設計編號**

◆ **CONTROL PORT(S) 動作形式**



# DIRECT TYPE RELIEF VALVES

## RV SERIES

溢流閥

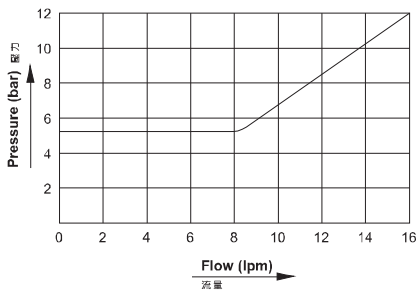
### ◆ PERFORMANCE 性能

Test Conditions 測試條件

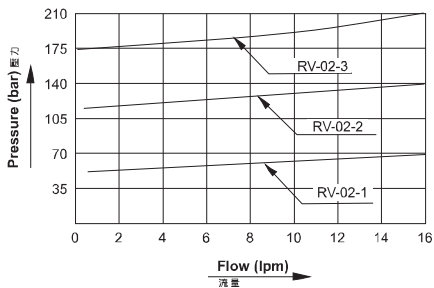
Oil Temperature 油溫: 50°C (122°F)

Viscosity 黏度: 35 cSt (163 SSU)

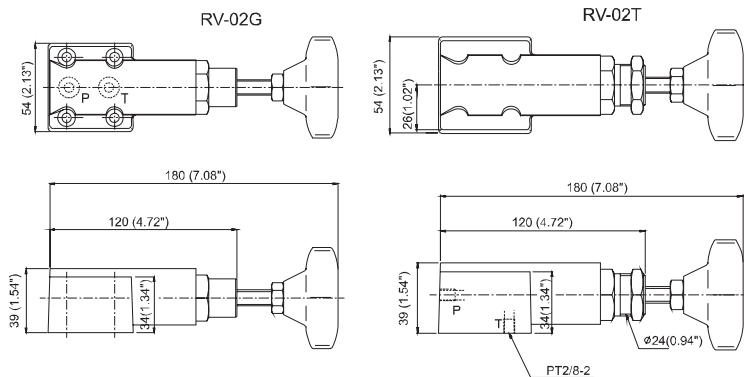
Minimum Adjustment Pressure 最低調整壓力



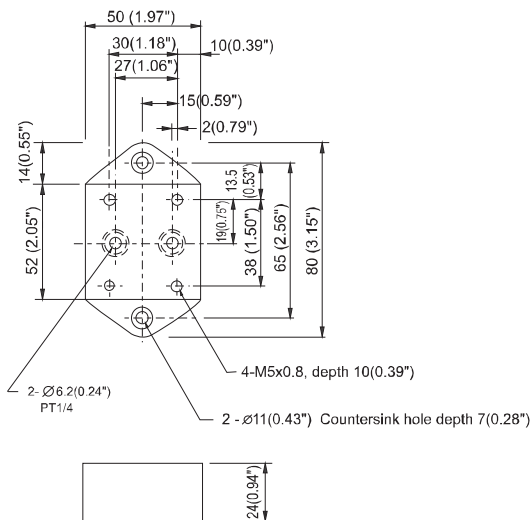
Flow-Pressure Characteristic 流量壓力特性



## ◆ DIMENSIONS 外型尺寸图



## ◆ Mounting Interface 基座尺寸图



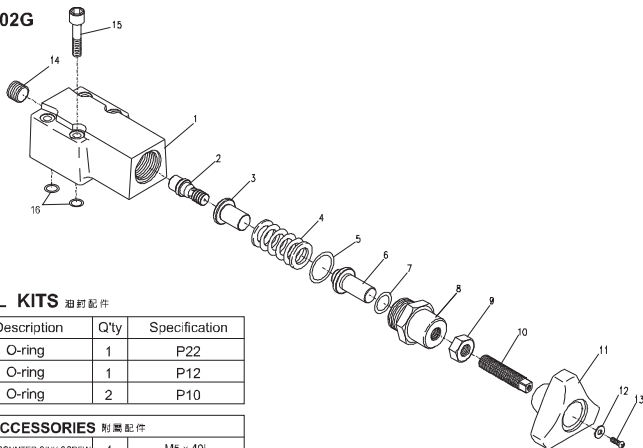
# DIRECT TYPE RELIEF VALVES

RV SERIES

溢流阀

## ◆ EXPLODED VIEWS OF PARTS LIST 零件爆炸视图

RV-02G



## ◆ SEAL KITS 密封配件

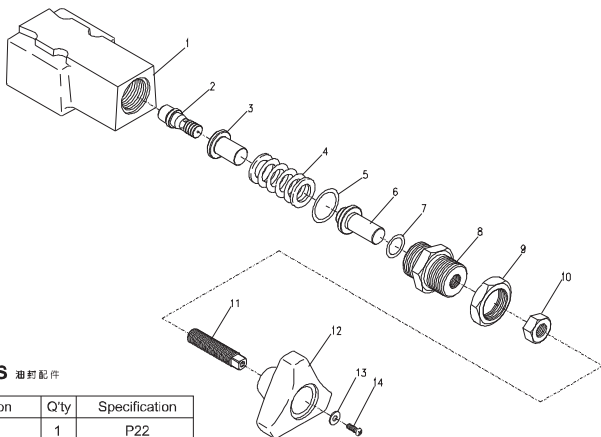
NO	Description	Q'ty	Specification
5	O-ring	1	P22
7	O-ring	1	P12
16	O-ring	2	P10

## ACCESSORIES 附属配件

15	HEX. COUNTER-SINK SCREW	4	M5 x 40L
----	-------------------------	---	----------

## ◆ EXPLODED VIEWS OF PARTS LIST 零件爆炸视图

RV-02T



## ◆ SEAL KITS 密封配件

NO	Description	Q'ty	Specification
5	O-ring	1	P22
7	O-ring	1	P12

F  
RV