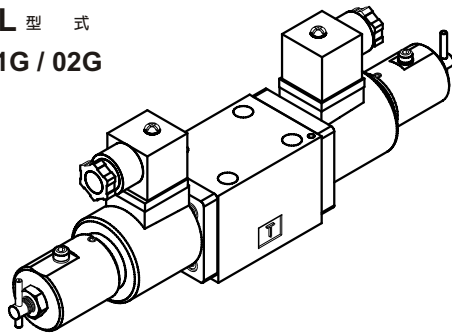


ELECTRO-HYDRAULIC PROPORTIONAL FLOW AND DIRECTIONAL CONTROL VALVES

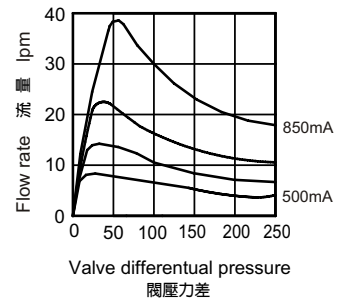
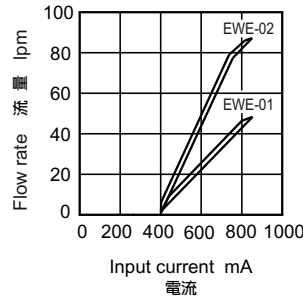
電磁比例流量及換向控制閥

EWE SERIES

◆ MODEL 型式 EWE-01G / 02G



◆ PERFORMANCE 特性曲線



◆ HANDING DESCRIPTION 使用說明

- Air Bleeding** : In order to ensure stable control , loosen the air vent and bleed air from the valve before starting operation.
- Manual Adjusting Screw** :
For the initial adjustment or when there is no input current to the valve due to an electrical problem or some other reason, the valve can be operated and valve pressure can be increased by rotating the manual adjustment screw clockwise (rightward). normally, the manual adjusting screw should be rotated back fully to the left (counterclockwise) and secured with the lock nut.
- Valve Mounting Orientation** : Install the valve so the spool axis line is horizontal.
 - 排出空氣 : 要穩定的進行控制, 須轉鬆排氣孔排出空氣.
 - 手動調整螺柱 :
初期調整或因電氣故障等原因閥中無輸入電流時, 通過手動調整螺柱向右轉動驅動閥可增加流量. 平時必須把手動調整螺柱全部轉回原位置, 並鎖緊螺母.
 - 閥的安裝方向 : 滑閥軸線成水平安裝.

◆ SPECIFICATIONS 規格

Model Number 型式號碼	Maximum Operating Pressure 最大操作壓力 Bar	Maximum Pressure 最大壓力 Bar	T Part Allowable back Pressure T口容許背壓 bar	Flow Rate 流量 lpm	Rated Current 額定電流 mA	Coil Resistance 線圈阻抗 Ω	Hysteresis 磁滯性 %	Voltage 電壓 VDC	Response Time 反應時間 S	Weight 重量 Kg	
EWE-01G	255 (3698 psi)	315 (4500 psi)	25 (362 psi)	Rated flow Rate 額定流量	850	20 (20°C)	5 max. 以下	24	0.04 (Note 2) 註1	2 (4.41 lbs)	
EWE-02G	255 (3698 psi)			Rated flow Rate 額定流量							
		Maximum Flow 最大流量									
		25 (362 psi)									
				25 (6.60 gpm)							
Fluid Type 流體型式				ISO VG 32 , 46 , 68							
Viscosity 黏性 cSt				10~400 (59~1854 SSU)							
Operating Temperature 操作溫度 °C				-15~70 (-5~158°F)							
Contamination Level 污染標準				ISO4406. 21/19/16 NAS1638,10							
Surface Treatment 表面處理				Zinc Phosphate Compound 鋅 磷酸鹽 化合物							

NOTE)1. Response time is typical value for a supply pressure of 143 bar (2074.07 psi) and fluid temperature of 40°C (kinematic viscosity : 40 cSt). 註1. 反應時間是供給壓力143 bar (2074.07 psi) 油溫40°C (黏性在40cSt).

- All screws with metric measure , if require inch measure , please contact us. 所附螺絲皆為公制標準規格品, 若需英制螺絲請另外備註說明。

◆ HOW TO ORDER 編號說明

1	2	3	4	5
EWE	***	01	G	D2

- VALVE SERIES** 系列名稱
EWE = ELECTRO-HYDRAULIC PROPORTIONAL FLOW AND DIRECTIONAL CONTROL VALVES
電磁比例流量及換向控制閥

2 SPOOL TYPES 滑柱型式

Model Number 型式號碼	CODE 編號	HYDRAULIC SYMBOL 液壓符號
EWE-02G	3C2	
EWE-01G	3C40	
EWE-02G		

- SUBPLATE MOUNTING SIZE:** 稱呼口徑
01 = 1/8"(3mm) 02 = 1/4"(6mm)
ISO CETOP3
DIN NG 6
NFPA D03

- CONNECTING TYPE** 連接型式
G:TYPE:BASEPLATE MOUNTING TYPE
(板式連接)

- TYPE OF COIL** 線圈類型
D2:DC24V

- Voltage of coil only provide DC 24V . 只提供電壓DC24V線圈.
- The datasheet of proportional electric controller. Please check AMP-W02. 比例電子控制器規格請參考編號 AMP-W02.

G
EWE

ELECTRO-HYDRAULIC PROPORTIONAL FLOW AND DIRECTIONAL CONTROL VALVES

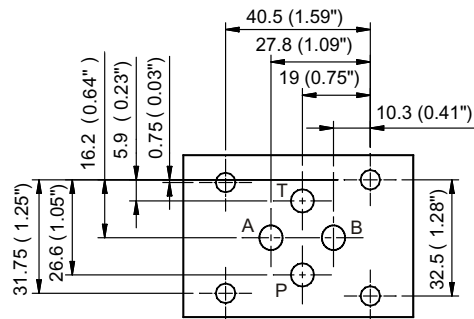
EWE SERIES

電磁比例流量及換向控制閥

◆ Mounting Interface

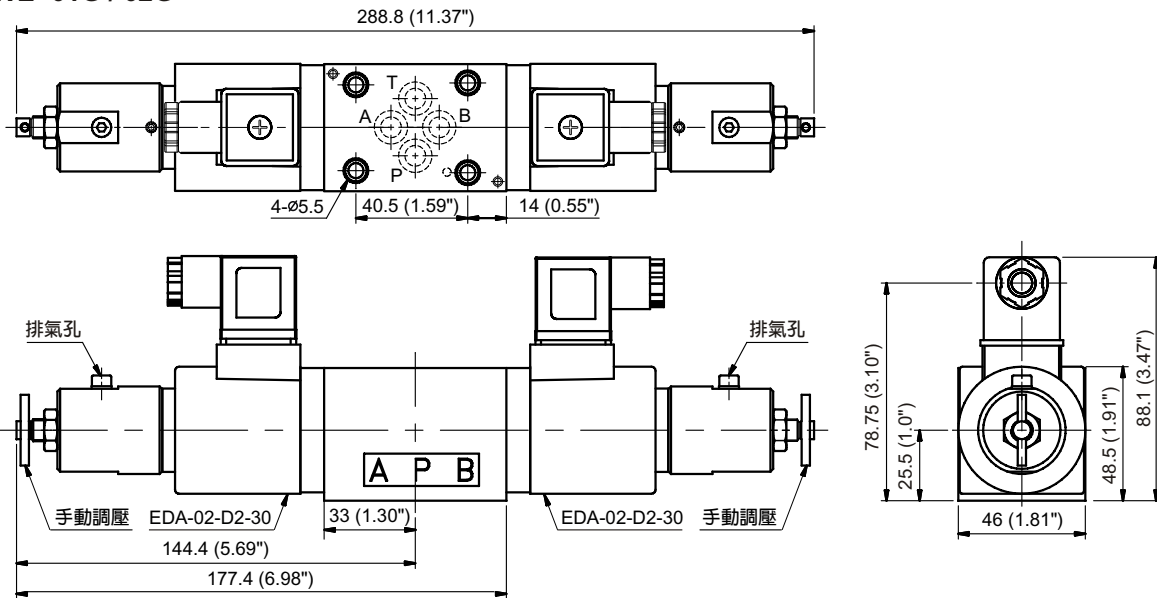
底座尺寸圖

ISO 4401-AB-03-4-A



◆ DIMENSIONS 外型尺寸圖

EWE-01G / 02G



◆ SEAL KITS 油封配件

NO	Description	Q'ty	Specification
2	O-ring	2	AS-019
8	O-ring	2	P22
12	O-ring	2	S-025
13	O-ring	2	AS-016
18	O-ring	2	P07
26	O-ring	4	P09

ACCESSORIES 附屬配件	
(Valve mounting bolts) (閥安裝螺栓)	
HEX. COUNTER-SINK SCREW	4 M5x45L

