

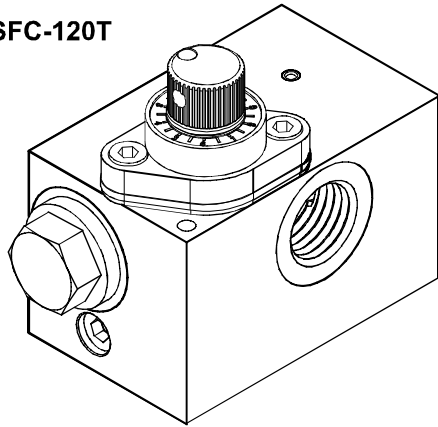
PRESSURE TEMPERATURE COMPENSATED TYPE FLOW VALVES

SFC SERIES

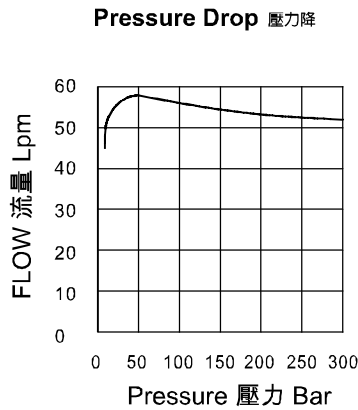
壓力溫度補償型流量閥

◆ MODEL 型式

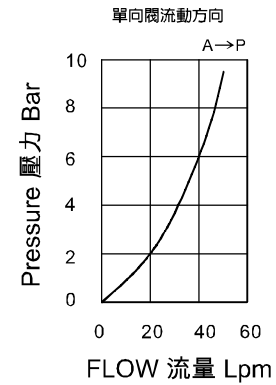
SFC-120T



◆ PERFORMANCE 特性曲線



The Flow Way Of Single Valves



◆ SPECIFICATIONS 規格

Model Number 型式號碼	Operating Pressure 操作壓力 bar	流量 lpm	重量 Kg
SFC-120T	315 (4569 psi)	0.3~50 (0.08~13.21 gpm)	1.4 (3.1 lbs)
Fluid Type 流體型式		ISO VG 32, 46, 68	
Viscosity 黏性 cSt		10~400 (59~1854 SSU)	
Operating Temperature 操作溫度 °C		-15~70 (-5~158 °F)	
Contamination Level 污染標準		ISO4406. 21/19/16 NAS1638,10	

◆ HOW TO ORDER 編號說明

1	2	3
SFC	120T	10

1 VALVE SERIES 系列名稱

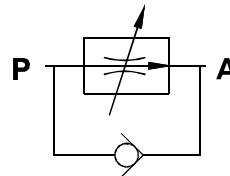
SFC = Pressure Temperature Compensated Type Flow Valves
壓力溫度補償型流量閥

2 SUBPLATE MOUNTING SIZE 稱呼口徑

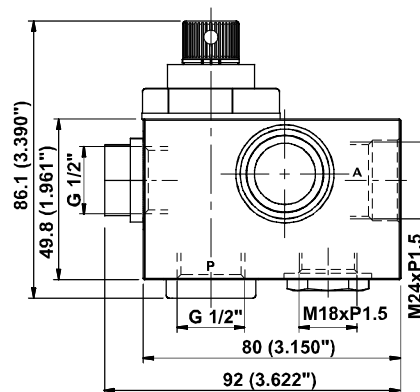
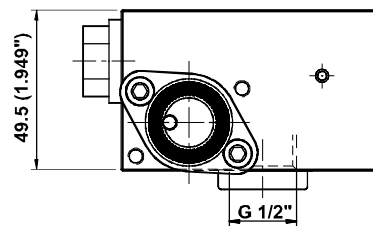
120T = G 1/2"

3 DESIGN NO 設計編號

◆ CONTROL PORT(S) 動作形式



◆ DIMENSIONS 外型尺寸圖



◆ Flow vs. Turns From Closed

流量與調節旋鈕比

