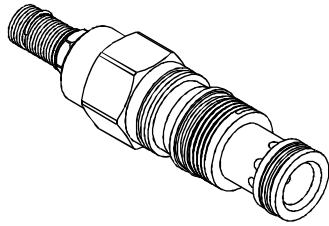


◆ **MODEL 型 式**

VRA-02



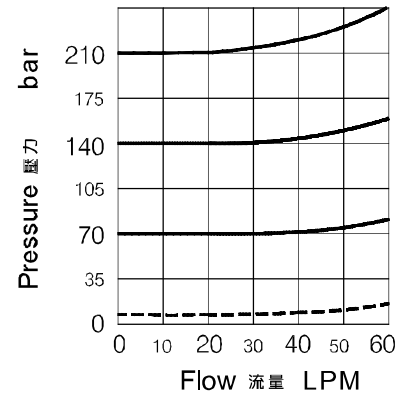
◆ **DESCRIPTION 說明**

Pilot-operated, relief cartridges are normally closed pressure regulating valves. When the pressure at the port 1 (inlet) reaches the valve setting, the valve starts to open to port 2 (tank). They provide a vent port (port 3) that connects between the main piston and pilot stage to provide for remote control by other pilot or 2-way valves. A remote pilot relief on port 3 (vent) will control the valve below its own setting.

先導控制式，溢流插裝閥為常閉壓力調節閥。當口1(進口)壓力達到閥設定值，閥開始向口2(油箱)溢流。此類閥在主級活塞和先導級之間提供了一個外接口(口3)，可以接入其它先導級控制閥或2通閥實現遠程控制。

口3(外接口)處的遠程先導溢流閥可以控制此閥壓力低於設定值。

◆ **PERFORMANCE(Cartridge Only) 特性曲線**



◆ **SPECIFICATIONS 規 格**

Model Number 型式號碼	Maximum Pressure 最大壓力 bar	Maximum Flow 最大流量 Lpm	Weight 重量 Kg
VRA-02	350 (5076 psi)	60 (15.85 gpm)	0.18 (0.40 lbs)
<b>Fluid Type 流體型式</b>		ISO VG 32,46,68	
<b>Viscosity 黏性 cSt</b>		10~400 (59~1854SSU)	
<b>Operating Temperature 操作溫度 °C</b>		-15~70 (-5~158°F)	
<b>Contamination Level 污染標準</b>		ISO4406, 21/19/16 NAS1638,10	

◆ **HOW TO ORDER 編號說明**

<b>1</b>	<b>2</b>	<b>3</b>	<b>4</b>
VRA	02	*	*

**1 VALVE SERIES 系列名稱**

VRA= CARTRIDGE TYPE RELIEF VALVES  
(Remote Control Included)  
插入式調壓閥(附遙控)

**2 SUBPLATE MOUNTING SIZE 稱呼口徑**

02: T-11A  
Cavity 孔口: CST-11A  
See Page Appendixes-A\_006  
見附錄A\_006 頁面

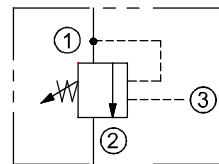
**3 ADJUSTMENT PRESSURE 壓力調整範圍**

Code 編碼	Adjustment pressure 壓力調整範圍
02	* ~ 25 (bar)
06	* ~ 60 (bar)
10	* ~ 100 (bar)
20	8 ~ 210 (bar)
30	8 ~ 315 (bar)
40	12 ~ 420 (bar)

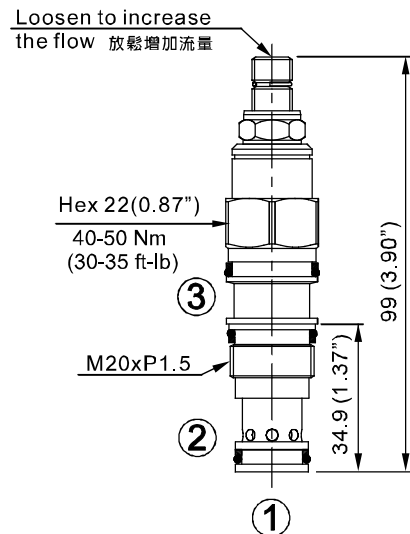
**4 ADJUSTMENT OPTION 調整選擇**

NONE	NONE:TOOL ADJUST 無:工具調整式	
K	K:HAND-BAR ADJUST K:手把調整式	

◆ **CONTROL PORT(S) 動作形式**



◆ **DIMENSIONS 外型尺寸圖**

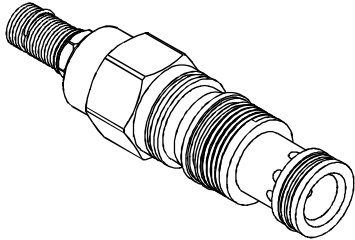


# PRESSURE CONTROL VALVEAS 壓力控制閥

## VRA SERIES CARTRIDGE TYPE RELIEF VALVES (Remote Control Included) VRA 系列插入式調壓閥(附遙控)

### MODEL 型 式

VRA-03



### DESCRIPTION 說明

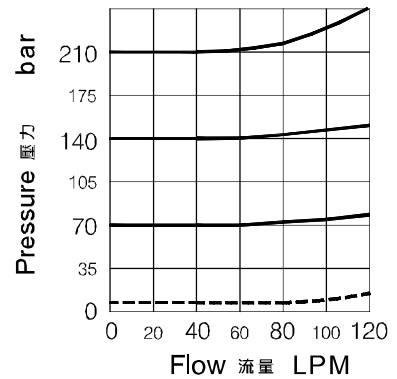
Pilot-operated, relief cartridges are normally closed pressure regulating valves. When the pressure at the port 1 (inlet) reaches the valve setting, the valve starts to open to port 2 (tank). They provide a vent port (port 3) that connects between the main piston and pilot stage to provide for remote control by other pilot or 2-way valves. A remote pilot relief on port 3 (vent) will control the valve below its own setting.

先導控制式，溢流插裝閥為常閉壓力調節閥。當口1(進口)壓力達到閥設定值，閥開始向口2(油箱)溢流。此類閥在主級活塞和先導級之間提供了一個外接口(口3)，可以接入其它先導級控制閥或2通閥實現遠程控制。

口3(外接口)處的遠程先導溢流閥可以控制此閥壓力低於設定值。

### PERFORMANCE(Cartridge Only)

特性曲線



### SPECIFICATIONS 規 格

Model Number 型式號碼	Maximum Pressure 最大壓力 bar	Maximum Flow 最大流量 Lpm	Weight 重量 Kg
VRA-03	420 (6092 psi)	120 (31.70 gpm)	0.3 (0.66 lbs)
Fluid Type 流體型式		ISO VG 32,46,68	
Viscosity 黏性 cSt		10~400 (59~1854SSU)	
Operating Temperature 操作溫度 °C		-15~70 (-5~158°F)	
Contamination Level 污染標準		ISO4406, 21/19/16 NAS1638,10	

### HOW TO ORDER 編號說明

1	2	3	4
VRA	03	*	*

#### 1 VALVE SERIES 系列名稱

VRA= CARTRIDGE TYPE RELIEF VALVES  
(Remote Control Included)  
插入式調壓閥(附遙控)

#### 2 SUBPLATE MOUNTING SIZE 稱呼口徑

03 : T-2A  
Cavity 孔口 : CST-2A  
See Page Appendixes-A\_006  
見附錄A\_006 頁面

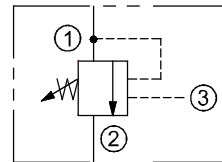
#### 3 ADJUSTMENT OPTION 調整選擇

Code 編碼	Adjustment pressure 壓力調整範圍
02	* ~ 25 (bar)
06	* ~ 60 (bar)
10	* ~ 100 (bar)
20	8 ~ 210 (bar)
30	8 ~ 315 (bar)
40	12 ~ 420 (bar)

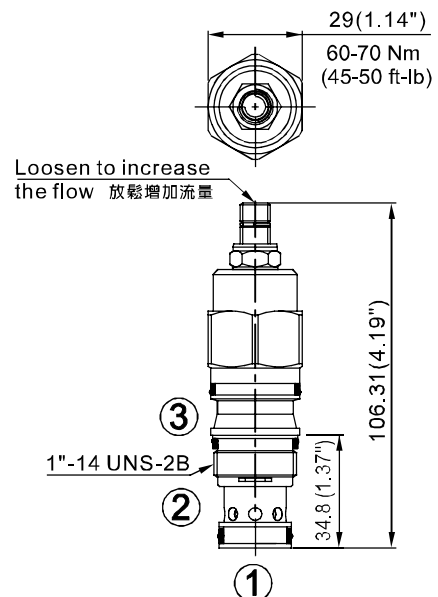
#### 4 ADJUSTMENT OPTION 調整選擇

NONE	NONE: TOOL ADJUST 無：工具調整式	
K	K: HAND-BAR ADJUST K：手把調整式	

### CONTROL PORT(S) 動作形式

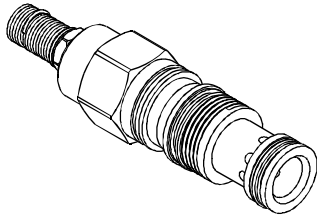


### DIMENSIONS 外型尺寸圖



◆ **MODEL 型 式**

**VRA-06**



◆ **DESCRIPTION 說明**

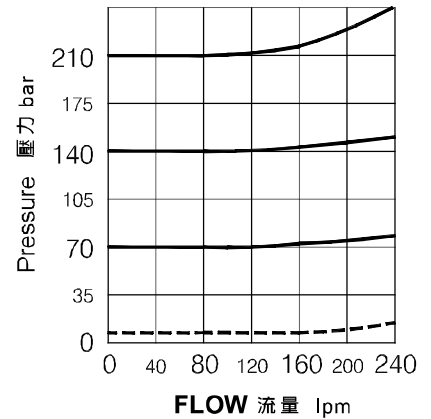
Pilot-operated, relief cartridges are normally closed pressure regulating valves. When the pressure at the port 1 (inlet) reaches the valve setting, the valve starts to open to port 2 (tank). They provide a vent port (port 3) that connects between the main piston and pilot stage to provide for remote control by other pilot or 2-way valves. A remote pilot relief on port 3 (vent) will control the valve below its own setting.

先導控制式，溢流插裝閥為常閉壓力調節閥。當口1(進口)壓力達到閥設定值，閥開始向口2(油箱)溢流。此類閥在主級活塞和先導級之間提供了一個外接口(口3)，可以接入其它先導級控制閥或2通閥實現遠程控制。

口3(外接口)處的遠程先導溢流閥可以控制此閥壓力低於設定值。

◆ **PERFORMANCE(Cartridge Only)**

特性曲線



◆ **SPECIFICATIONS 規 格**

Model Number 型式號碼	Maximum Pressure 最大壓力 bar	Maximum Flow 最大流量 Lpm	Weight 重量 Kg
VRA-06	420 (6092 psi)	240 (63.40 gpm)	0.69 (1.52 lbs)
<b>Fluid Type</b> 流體型式		ISO VG 32,46,68	
<b>Viscosity</b> 黏性 cSt		10~400 (59~1854SSU)	
<b>Operating Temperature</b> 操作溫度 °C		-15~70 (-5~158°F)	
<b>Contamination Level</b> 污染標準		ISO4406.21/19/16 NAS1638,10	

◆ **HOW TO ORDER 編號說明**

<b>1</b>	<b>2</b>	<b>3</b>	<b>4</b>
VRA	06	— *	— *

**1 VALVE SERIES** 系列名稱

VRA= CARTRIDGE TYPE RELIEF VALVES  
(Remote Control Included)  
插入式調壓閥(附遙控)

**2 SUBPLATE MOUNTING SIZE** 稱呼口徑

06: T-17A  
Cavity 孔口: CST-17A  
See Page Appendixes-A\_007  
見附錄 A\_007 頁面

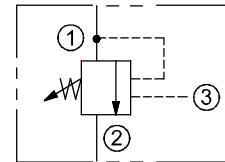
**3 ADJUSTMENT OPTION** 調整選擇

Code 編碼	Adjustment pressure 壓力調整範圍
02	※ ~ 25 (bar)
06	※ ~ 60 (bar)
10	※ ~ 100 (bar)
20	8 ~ 210 (bar)
30	8 ~ 315 (bar)
40	12 ~ 420 (bar)

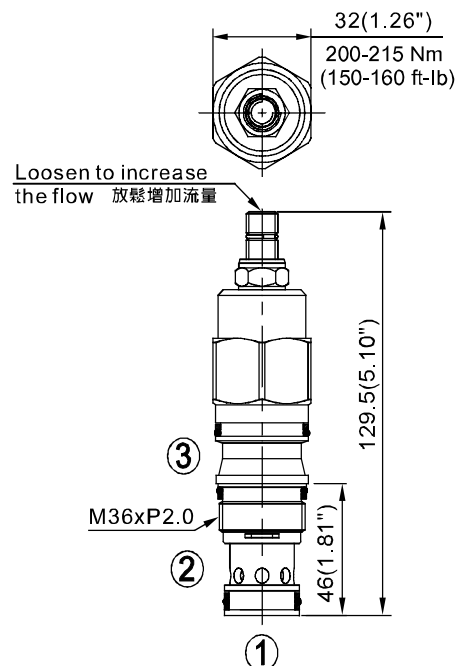
**4 ADJUSTMENT OPTION** 調整選擇

NONE	NONE: TOOL ADJUST 無: 工具調整式	
K	K: HAND-BAR ADJUST K: 手把調整式	

◆ **CONTROL PORT(S)** 動作形式



◆ **DIMENSIONS** 外型尺寸圖

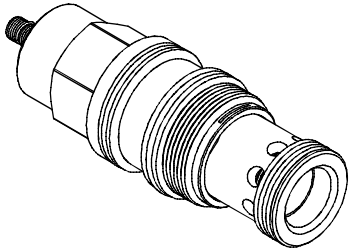


# PRESSURE CONTROL VALVEAS 壓力控制閥

## VRA SERIES CARTRIDGE TYPE RELIEF VALVES (Remote Control Included) VRA 系列插入式調壓閥(附遙控)

### MODEL 型 式

VRA-10



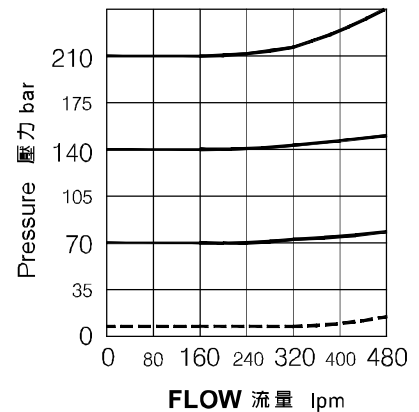
### DESCRIPTION 說明

Pilot-operated, relief cartridges are normally closed pressure regulating valves. When the pressure at the port 1 (inlet) reaches the valve setting, the valve starts to open to port 2 (tank). They provide a vent port (port 3) that connects between the main piston and pilot stage to provide for remote control by other pilot or 2-way valves. A remote pilot relief on port 3 (vent) will control the valve below its own setting.

先導控制式，溢流插裝閥為常閉壓力調節閥。當口1(進口)壓力達到閥設定值，閥開始向口2(油箱)溢流。此類閥在主級活塞和先導級之間提供了一個外接口(口3)，可以接入其它先導級控制閥或2通閥實現遠程控制。

口3(外接口)處的遠程先導溢流閥可以控制此閥壓力低於設定值。

### PERFORMANCE(Cartridge Only) 特性曲線



### SPECIFICATIONS 規 格

Model Number 型式號碼	Maximum Pressure 最大壓力 bar	Maximum Flow 最大流量 Lpm	Weight 重量 Kg
VRA-10	420 (6092 psi)	480 (126.80 gpm)	1.45 (3.20 lbs)
Fluid Type 流體型式		ISO VG 32,46,68	
Viscosity 黏性 cSt		10~400 (59~1854SSU)	
Operating Temperature 操作溫度 °C		-15~70 (-5~158°F)	
Contamination Level 污染標準		ISO4406. 21/19/16 NAS1638,10	

### HOW TO ORDER 編號說明

<b>1</b>	<b>2</b>	<b>3</b>	<b>4</b>
VRA	10	*	*

#### 1 VALVE SERIES 系列名稱

VRA= CARTRIDGE TYPE RELIEF VALVES  
(Remote Control Included)  
插入式調壓閥(附遙控)

#### 2 SUBPLATE MOUNTING SIZE 稱呼口徑

10: T-19A  
Cavity 孔口: CST-19A  
See Page Appendixes-A\_007  
見附錄 A\_007 頁面

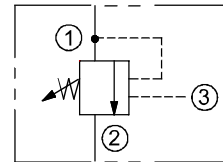
#### 3 ADJUSTMENT OPTION 調整選擇

Code 編碼	Adjustment pressure 壓力調整範圍
02	* ~ 25 (bar)
06	* ~ 60 (bar)
10	* ~ 100 (bar)
20	8 ~ 210 (bar)
30	8 ~ 315 (bar)
40	12 ~ 420 (bar)

#### 4 ADJUSTMENT OPTION 調整選擇

NONE	NONE: TOOL ADJUST 無: 工具調整式	
K	K: HAND-BAR ADJUST K: 手把調整式	

### CONTROL PORT(S) 動作形式



### DIMENSIONS 外型尺寸圖

