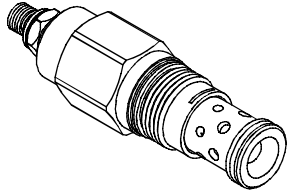


◆ **MODEL 型 式**
VRDA-03



◆ **DESCRIPTION 說明**

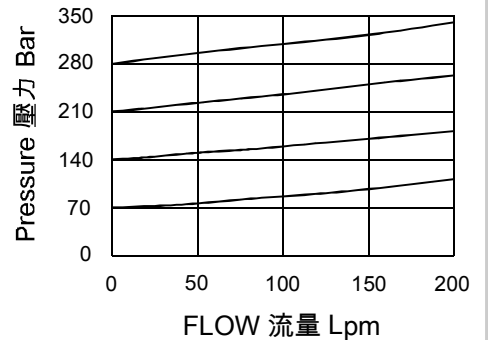
Direct-acting relief cartridges are normally closed, pressure-limiting valves used to protect hydraulic components from pressure transients. When the pressure at the port 1 (inlet) reaches the valve setting, the valve starts to open to port 2 (tank), throttling flow to limit the pressure rise. These valves are smooth and quiet, essentially zero leak, dirt tolerant, immune to silting and are very fast. Valve is relatively insensitive to varying oil temperatures and oil borne contamination. Suitable for use in load holding and cross port relief circuits applications.

直動式溢流閥為常閉壓力限制閥，常用來保護液壓元件，以防止其受瞬間壓力的衝擊。當壓力在口1(進口)達到閥的設定值，閥開始向口2(油箱)溢流，節流以限制壓力上升。此類閥調節平穩、雜訊小，基本為零洩漏，抗油汙能力強，防堵塞並且回應速度快。

此閥對變動的油液溫度和油液污染不敏感。

適合使用在負載鎖緊和交叉端口的溢流油路應用中。

◆ **PERFORMANCE 特性曲線**



◆ **SPECIFICATIONS 規 格**

Model Number 型式號碼	Maximum Pressure 最大壓力 bar	Maximum Flow 最大流量 lpm	Weight 重量 Kg
VRDA-03	420 (6092psi)	200 (52.48gpm)	0.4 (0.88 lbs)
Fluid Type 流體型式		ISO VG 32 , 46 , 68	
Viscosity 黏性 cSt		10~400 (59~1854 SSU)	
Operating Temperature 操作溫度 °C		-30~100 (-22~212°F)	
Contamination Level 污染標準		ISO4406. 21/19/16 NAS1638,10	

◆ **HOW TO ORDER 編號說明**

1	2	3	4	5
VRDA	03	*	*	*

1 VALVE SERIES 系列名稱

VRDA=Direct Acting Relief Valves 直動型調壓閥

2 SUBPLATE MOUNTING SIZE 稱呼口徑

03 :T-3A
Cavity 孔口:CST-3A
See Page Appendixes-A_006
見附錄 A_006 頁面

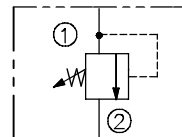
3 ADJUSTMENT PRESSURE 壓力調整範圍

Code 編碼	Adjustment pressure 壓力調整範圍
01	3.5 ~ 14 (bar)
02	7 ~ 25 (bar)
06	15 ~ 60 (bar)
10	20 ~ 105 (bar)
21	35 ~ 210 (bar)
30	55 ~ 315 (bar)
42	80 ~ 420 (bar)

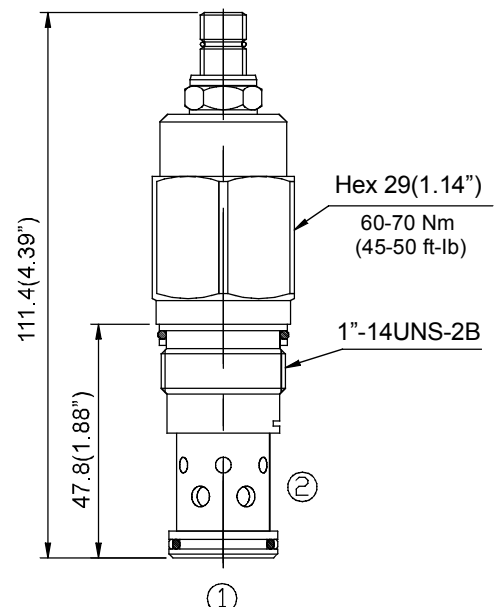
4 ADJUSTMENT OPTION 調整選擇

Code	Description	Diagram
NONE	NONE:TOOL ADJUST 無：工具調整式	
K	K:HAND-BAR ADJUST K：手把調整式	
C	C:TAMPER RESISTANT COVER C：防調封蓋	
CJ	CJ: HEX WITH COVER CAP CJ：帶螺帽蓋	

◆ **CONTROL PORT(S) 動作形式**



◆ **DIMENSIONS 外型尺寸圖**



5 MATERIAL 材質

Non: Standard
無：標準品
AP : Stainless Steel
AP：不鏽鋼