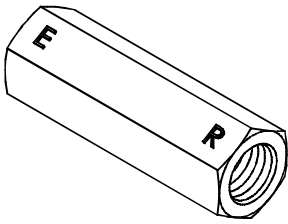


◆ MODEL 型式 VAF-02 / 03 / 04 / 06



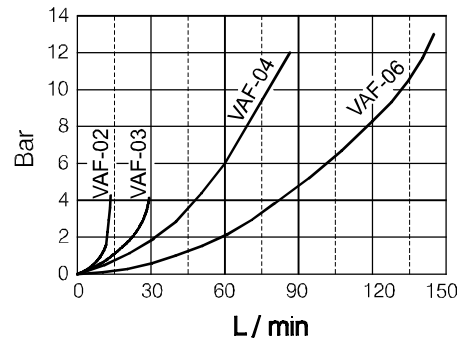
DESCRIPTION-OPERATION :

Use this valve as a pressure-compensation throttling valve of descending control, which sustains a constant descending speed of loading although the loading fluctuation might be significant; user can adjust the distance and preset the passing flow rate.

操作說明:

此閥應用在下降控制,當作壓力補償節流閥,可以保持負載的下降速度一定,盡管負載的重量變化相當大,可以調整距離,預先設定通過流量。

◆ PERFORMANCE(Cartridge Only) 特性曲線



◆ SPECIFICATIONS 規格

Model Number 型式號碼	Maximum Pressure 最大壓力 bar	Maximum Flow 最大流量 lpm	Weight 重量 Kg
VAF-02	315 (4569 psi)	10 (2.64 gpm)	0.2 (0.44 lbs)
VAF-03	315 (4569 psi)	25 (6.60 gpm)	0.25 (0.55 lbs)
VAF-04	315 (4569 psi)	67 (17.70 gpm)	0.3 (0.66 lbs)
VAF-06	315 (4569 psi)	150 (39.63 gpm)	0.4 (0.88 lbs)
Fluid Type 流體型式		ISO VG 32 , 46 , 68	
Viscosity 黏性 cSt		10~400 (59~1854 SSU)	
Operating Temperature 操作溫度 °C		-15~70 (-5~158 °F)	
Contamination Level 污染標準		ISO4406. 21/19/16 NAS1638,10	

◆ HOW TO ORDER 編號說明

1	2	3
VAF	— 02 —	02

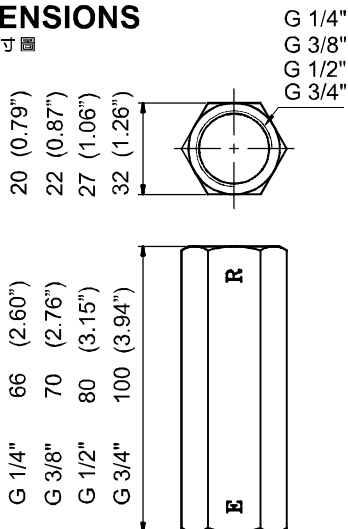
1 VALVE SERIES 系列名稱

VAF= PRESSURE COMPENSATED THROTTLE VALVES
壓力補償節流閥

2 SUBPLATE MOUNTING SIZE 稱呼口徑

02=G 1/4" 04=G 1/2"
03=G 3/8" 06=G 3/4"

◆ DIMENSIONS 外型尺寸圖



3 REGULATED FLOW RANGE 流量調整範圍

SPECIFICATIONS 規格	REGULATED FLOW RANGE 流量調整範圍			
	E ▷ R L/min			
	VAF-02	VAF-03	VAF-04	VAF-06
01	1~1.6	2.5~4.0	16~21	37~50
02	1~1.6	4.0~6.3	21~28	50~67
03	1.6~2.5	6.3~10	28~37	67~90
04	2.5~4.0	10~16	37~50	90~120
05	4.0~6.3	16~25	50~67	120~150
06	6.3~10			

◆ CONTROL PORT(S) 動作形式

