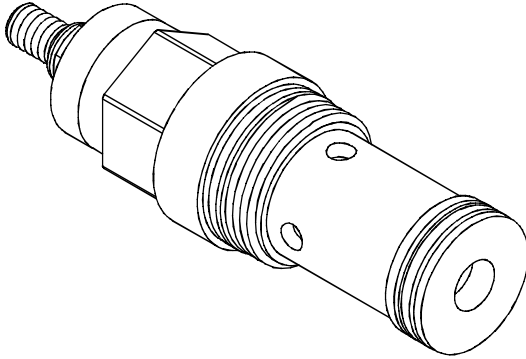


FLOW CONTROL VALVES 流量控制閥

VCF SERIES FULLY ADJUSTABLE PRESSURE COMPENSATED WITH REVERSE FLOW CHECK VCF 系列全調型壓補流量閥

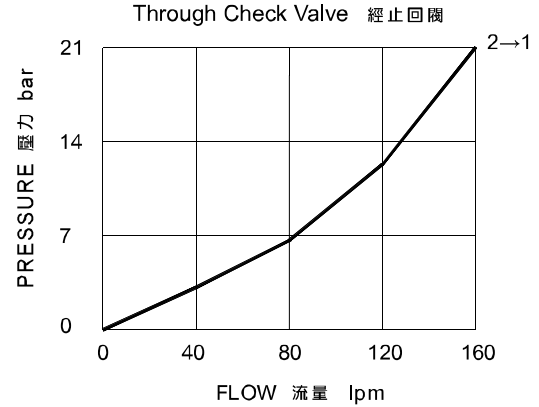
◆ MODEL 型 式

VCF-06



◆ PERFORMANCE (Cartridge Only)

特性曲線



◆ SPECIFICATIONS 規 格

Model Number 型式號碼	Maximum Pressure 最大壓力 bar	Maximum Flow 最大流量 Lpm	Control Flow 控制流量 Lpm	Weight 重量 Kg
VCF-06	350 (5076 psi)	160 (42.27 gpm)	1 ~ 95 (0.26~25.10 gpm)	0.6 (1.32 lbs)
Fluid Type 流體型式		ISO VG 32,46,68		
Viscosity 黏性 cSt		10~400 (59~1854SSU)		
Operating Temperature 操作溫度 °C		-30~100 (-22~212°F)		
Contamination Level 污染標準		ISO4406, 21/19/16 NAS1638,10		

◆ HOW TO ORDER 編號說明

1	2	3	4
VCF	06	B	*

1 VALVE SERIES 系列名稱

VCF= Fully Adjustable Pressure Compensated
With Reverse Flow Check
(Unidirectional Valves Included)
全調型壓補流量閥 (附單向閥)

2 SUBPLATE MOUNTING SIZE 稱呼口徑

06: T-16A
Cavity 孔口: CST-16A
See Page Appendixes-A_007
見附錄A_007 頁面

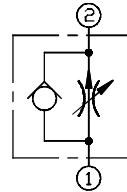
3 FLOW CONTROL OPTION 控制流量選項

A: 60 l/min
B: 95 l/min

4 ADJUSTMENT OPTION 調整選擇

NONE	NONE: TOOL ADJUST 無: 工具調整式	
K	K: HAND-BAR ADJUST K: 手把調整式	
KT	KT: HAND-BAR ADJUST (Three-winged) KT: 手把調整式 (三翼)	

◆ CONTROL PORT(S) 動作形式



◆ DIMENSIONS 外型尺寸圖

