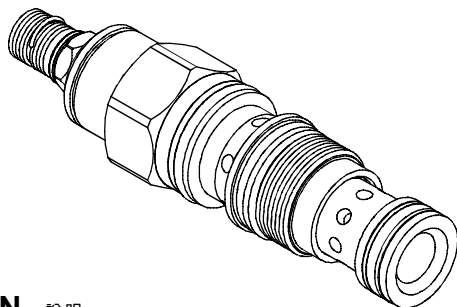
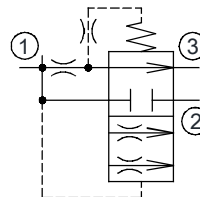


◆ **MODEL 型式**
VFR-02



◆ **CONTROL PORT(S) 動作形式**



◆ **DESCRIPTION 說明**

Bypass/restrictive, fixed-orifice, priority flow controls take an input flow at port 1 and use it to satisfy the priority flow at port 3. If the input flow exceeds the priority flow requirement, the excess is bypassed out port 2. The bypass flow may be used in a secondary circuit.

Priority remains relatively constant regardless of variation in input flow.

Pressure at the bypass port (port 2) may exceed pressure at the priority port (port 3).

旁通/節流，固定節流口，優先流量控制閥接受口1的輸入流量，並用來滿足口3優先流量。如果輸入流量超出優先流量需求，多餘的流量經口2旁通流出。旁通流量可用於次級油路。不管輸入流量如何變化，優先流量保持穩定。旁通口(口2)壓力可以超出優先口(口3)壓力。

◆ **SPECIFICATIONS 規格**

| Model Number 型式號碼 | Operating Pressure 操作壓力 bar | Maximum Flow 最大流量 lpm | Priority Flow Specification 優先流量規格 lpm | Weight 重量 Kg |
|--------------------------------------|--------------------------------|------------------------------|---|-----------------|
| VFR-02 | 350 (5076 psi) | 60 (15.85 gpm) | 0.4~25 (0.11 ~ 6.60 gpm) | 0.17 (0.37 lbs) |
| Fluid Type 流體型式 | | ISO VG 32, 46, 68 | | |
| Viscosity 黏性 cSt | | 10~400 (59~1854 SSU) | | |
| Operating Temperature 操作溫度 °C | | -30~100 (-22~212°F) | | |
| Contamination Level 污染標準 | | ISO4406. 20/18/15 NAS1638. 9 | | |

◆ **HOW TO ORDER 編號說明**

| 1 | 2 | 3 | 4 |
|-----|----|-----|---|
| VFR | 02 | *** | * |

1 VALVE SERIES 系列名稱

VFR= Priority Flow Divider Valve
(Restrictive, Fixed-orifice)
優先分流閥(固定節流口)

2 SUBPLATE MOUNTING SIZE 稱呼口徑

02: T-11A
Cavity 孔口: CST-11A
See Appendices-A 見附錄A
For Manifold See Appendices-B 油路板見附錄B

3 PRIORITY FLOW SETTING RANGE 優先流量設定範圍

Restrictive, fixed-orifice, customer must specify flow
固定節流口, 客戶需指定流量

3 digit coding (e.g.) 3位數編碼(範例):

050 = 5(Lpm)

150 = 15(Lpm)

↑ The 3rd digit is a decimal point.
第3位為小數

- Factory set flow ratings are within ±25% of the requested setting. Turn the adjustment clockwise to increase.
出廠設定值在指定設定值的±25%範圍內, 順時針調整流量上升。

4 FLOW SPECIFICATIONS 流量規格

| Flow specifications 流量規格 | Code 編碼 | Flow specifications 流量規格 | |
|------------------------------------|------------|--|--|
| Fixed flow 固定流量 | NONE | Operating set at ±10% of customer specified flow. 工作設定為客戶指定流量的 ±10% | |
| Tool adjustable flow 工具調整流量 | M15 | Tuning adjustment ±25 % of customer specified flow. 調流為客戶指定流量的 ±25% | |
| Hand-bar adjustable flow 把手調整流量 | K15 | | |

◆ **DIMENSIONS 外型尺寸圖**

