

# SOLENOID OPERATED CARTRIDGE VALVES

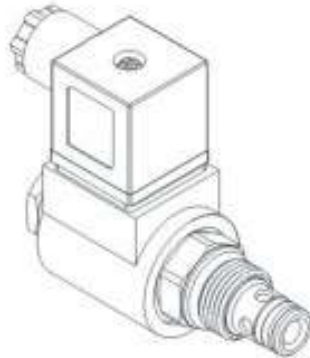
插入式電磁閥

## VSV SERIES CARTRIDGE TYPE SOLENOID OPERATED CHECK VALVES

vsv 系列插入式電磁截止閥

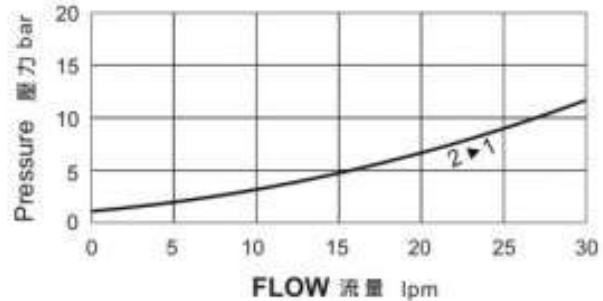
### ◆ MODEL 型式

VSV08H-20



### ◆ PERFORMANCE 特性曲線

#### Pressure Drop 壓力降



### ◆ SPECIFICATIONS 規格

| Model Number<br>型式號碼          | Maximum Pressure<br>最大壓力 bar | Operating Pressure<br>操作壓力 bar | Maximum Flow<br>最大流量 lpm | Weight<br>重量 Kg |
|-------------------------------|------------------------------|--------------------------------|--------------------------|-----------------|
| VSVH08-20                     | 250 (3626 psi)               | 210 (3046 psi)                 | 23 (6.08 gpm)            | 0.45 (0.99 lbs) |
| Fluid Type 液體型式               |                              | ISO VG 32, 46, 68              |                          |                 |
| Viscosity 黏性 cSt              |                              | 10~400 (59~1854 SSU)           |                          |                 |
| Operating Temperature 操作溫度 °C |                              | -15~70 (-5~158 °F)             |                          |                 |
| Contamination Level 污染標準      |                              | ISO4406, 21/19/16 NAS1638,10   |                          |                 |

### ◆ HOW TO ORDER 編號說明

|          |          |          |          |          |          |
|----------|----------|----------|----------|----------|----------|
| <b>1</b> | <b>2</b> | <b>3</b> | <b>4</b> | <b>5</b> | <b>6</b> |
| VSV      | 08H      | — 20 —   | A2       | — X —    | *        |

### 6 ADJUSTMENT OPTION 調整選擇

**1 VALVE SERIES 系列名稱**  
VSV=Cartridge Type Solenoid Operated Check Valves 插入式電磁截止閥

**2 SUBPLATE MOUNTING SIZE 板厚/口徑**  
Size:08  
Cavity 孔口: CS08-2N  
See Page Appendixes-A\_001  
見附錄A\_001 頁面

**3 CONTROL PORT(S) 動作形式**



**4 TYPE OF COIL 線圈類型**

Non: Without Coil 無配裝-無線圈  
A1: RAC110V 60/50HZ D1: DC12V  
A2: RAC220V 60/50HZ D2: DC24V  
※ High power application please refer to COB08 or COD08.  
用於高功率時請參考COB08或COD08。

**5 WIRING TYPE 接線型式**

Non: WIRING BOX TYPE (DIN) 無-接線盒式 (DIN) X: DOUBLE LEAD 雙接線方式



※ For more technical information of wiring type please refer to the appendixes-D or contact with us.  
接線型式的詳細技術資料請查附錄-D或與我們聯繫。

|   |  |   |                  |
|---|--|---|------------------|
| <b>Non</b><br>Non: Standard<br>無配裝-標準型                              |  | <b>Y</b><br>Y: Twist Style Manual Override<br>旋槓型-手動操作選位          |                  |
| <b>M</b><br>M: Push and Twist Style Manual Override<br>推壓扭轉型-手動操作選位 |  | <b>Z</b><br>Z: Cable Operated Pull Style Override<br>軟軸拉式-拉動式操作選位 | <br>No. 10-32UNF |

### ◆ DIMENSIONS 外型尺寸圖

