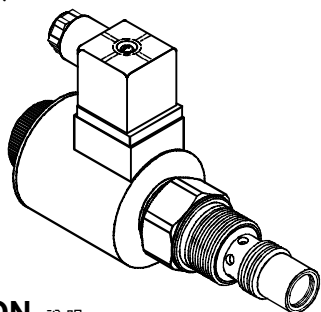
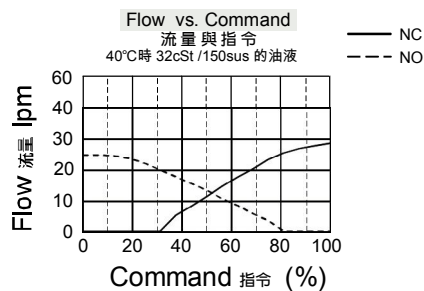


◆ **MODEL 型 式**
EVF-1023



◆ **PERFORMANCE 特性曲線**



◆ **DESCRIPTION 說明**

Proportional flow valve. It can be used as a priority-type flow regulator with pressure-compensated, regulated and bypass flow. It can also be used as a restrictive-type 2-way, pressure-compensated flow regulator when the bypass line (port ②) is blocked. 比例流量閥, 可以用作帶壓力補償的優先流量調節閥, 調節和旁通流量, 當封閉旁通線路(油口 ②)時, 也可以用作2通節流型壓力補償流量調節閥。

◆ **SPECIFICATIONS 規 格**

| Model Number 型式號碼 | Operating Pressure 操作壓力 bar | Maximum Flow 最大流量 lpm | Maximum Current 最大電流 mA | Voltage 電壓 VDC | Weight 重量 Kg |
|--------------------------------------|--------------------------------|--------------------------|------------------------------|-------------------|-----------------|
| EVF-1023 | 240 (3481 psi) | 30 (7.93 gpm) | 1600±200 | 12 | 0.69 (1.52 lbs) |
| | | | 800±100 | 24 | |
| Fluid Type 流體型式 | | | ISO VG 32, 46, 68 | | |
| Viscosity 黏性 cSt | | | 10~400 (59~1854 SSU) | | |
| Operating Temperature 操作溫度 °C | | | -30~100 (-22~212°F) | | |
| Contamination Level 污染標準 | | | ISO4406. 20/18/15 NAS1638. 9 | | |

◆ **HOW TO ORDER 編號說明**

| 1 | 2 | 3 | 4 | 5 | 6 | 7 |
|-----|------|---|----|----|---|---|
| EVF | 1023 | A | NO | D2 | * | * |

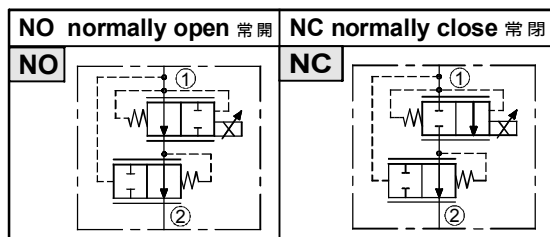
1 VALVE SERIES 系列名稱
EVF = Proportional Flow Valves
(Pressure Compensated Include)
比例流量閥(附壓力補償)

2 SUBPLATE MOUNTING SIZE 稱呼口徑
Size: 1023
Cavity 孔口: CS10-3N
See Appendices-A 見附錄A
For Manifold See Appendices-B 油路板見附錄B

3 REGULATED FLOW RANGE 調節流量範圍

| Model 型式 | Regulated Flow Rate 調節流量 lpm |
|-------------|---------------------------------|
| A | 30 lpm (8 gpm) |
| B | 17 lpm (4.5 gpm) |

4 CONTROL PORT(S) 動作形式



5 TYPE OF COIL 線圈類型
Non: Without Coil 無記號: 無線圈
D1: DC12V
D2: DC24V
※ For more technical information of coil please refer to the Appendices-D or contact with us. 線圈詳細技術資料請查附錄-D或與我們聯繫。

6 ADJUSTMENT OPTION 調整選擇

| Non: Standard 無記號: 標準型 | Non | S | Y |
|---------------------------|---|--|---|
| | Twist Style Manual Override 旋緊型-手動操作復位 | Push Style Manual Override 推壓型-手動操作復位 | |
| | | | |

7 SEALS 密封件

Non: NBR (Standard) 無記號: 丁腈橡膠(標準型)
HN: HNBR HN: 氫化丁腈橡膠
V: VITON V: 氟橡膠

◆ **DIMENSIONS** 外型尺寸圖

