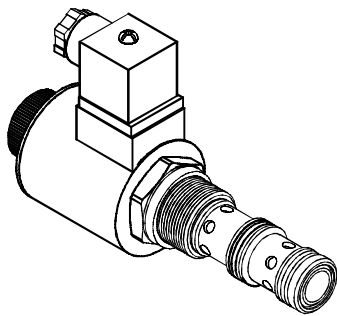


# PROPORTIONAL VALVES 比例閥

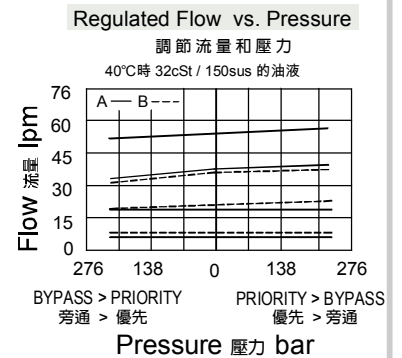
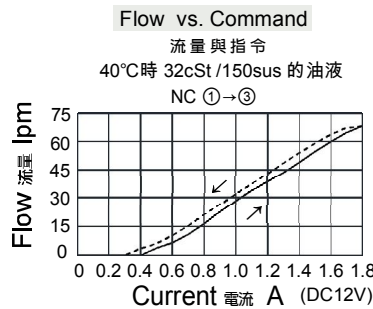
EVF SERIES PROPORTIONAL FLOW VALVES (PRESSURE COMPENSATED INCLUDE) EVF 系列比例流量閥(附壓力補償)

## MODEL 型式

EVF-12



## PERFORMANCE 特性曲線



## DESCRIPTION 說明

Proportional flow valve. It can be used as a priority-type flow regulator with pressure-compensated, regulated and bypass flow. It can also be used as a restrictive-type 2-way, pressure-compensated flow regulator when the bypass line (port ②) is blocked. 比例流量閥. 可以用作帶壓力補償的優先流量調節閥, 調節和旁通流量, 當封閉旁通線路(油口 ②)時, 也可以用作2通節流型壓力補償流量調節閥.

## SPECIFICATIONS 規格

Model Number 型式號碼	Operating Pressure 操作壓力 bar	Maximum Flow 最大流量 lpm	Maximum Current 最大電流 mA	Voltage 電壓 VDC	Weight 重量 Kg
EVF-12	250 (3626 psi)	114 (30.12 gpm)	1600±200 800±100	12 24	0.81 (1.79 lbs)
Fluid Type 流體型式			ISO VG 32, 46, 68		
Viscosity 黏性 cSt			10~400 (59~1854 SSU)		
Operating Temperature 操作溫度 °C			-30~100 (-22~212°F)		
Contamination Level 污染標準			ISO4406. 20/18/15 NAS1638. 9		

## HOW TO ORDER 編號說明

1	2	3	4	5	6	7
EVF	12	A	NC	D2	*	*

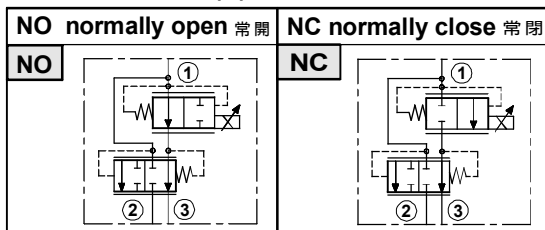
**1 VALVE SERIES 系列名稱**  
EVF = Proportional Flow Valves  
(Pressure Compensated Include)  
比例流量閥(附壓力補償)

**2 SUBPLATE MOUNTING SIZE 稱呼口徑**  
Size: 12  
Cavity 孔口: CS12-3N  
See Appendices-A 見附錄A  
For Manifold See Appendices-B 油路板見附錄B

**3 REGULATED FLOW RANGE 調節流量範圍**

Model 型式	Regulated Flow Rate 調節流量 lpm
A	57 lpm (15 gpm)
B	38 lpm (10 gpm)

**4 CONTROL PORT(S) 動作形式**



**5 TYPE OF COIL 線圈類型** ※ For more technical information of coil please refer to the Appendices-D or contact with us .  
Non: Without Coil 無記號: 無線圈  
D1: DC12V  
D2: DC24V  
線圈詳細技術資料請查附錄-D或與我們聯繫.

## 6 ADJUSTMENT OPTION 調整選擇

Non: Standard 無記號: 標準型	S: Twist Style Manual Override 旋緊型-手動操作復位	Y: Push Style Manual Override 推壓型-手動操作復位

**7 SEALS 密封件**  
Non: NBR (Standard) 無記號: 丁腈橡膠(標準型)  
HN: HNBR HN: 氫化丁腈橡膠  
V: VITON V: 氟橡膠

## DIMENSIONS 外型尺寸圖

