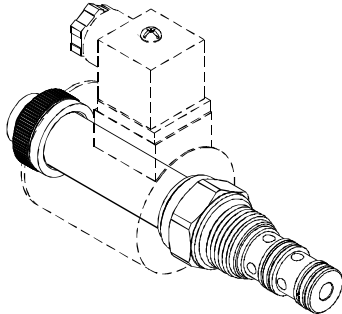


◆ MODEL 型 式 EVGB-10



◆ DESCRIPTION 說明

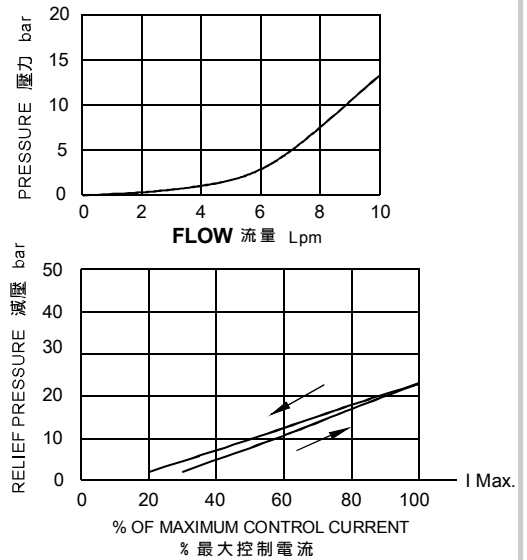
Direct acting, spool-type reducing/relieving valve, which can be infinitely adjusted across a prescribed range using a variable electric input. Pressure output is proportional to DC current input. This valve is intended for use as a pressure control device in demanding applications.

The EVGB-10 allows free flow from 1 to 3 when no current is applied to the coil. When the coil is energized, 2 is connected to 1. Increasing current applied to the coil will increase the control (reduced) pressure proportionally. If pressure at 1 exceeds the setting induced by the coil, pressure from 1 is relieved to 3.

直動滑軸式減壓/溢流閥, 利用可變電輸入可實現指定範圍內的連續調節. 輸出壓力與DC電流輸入成比例. 該閥在設備中可用作壓力控制裝置.

線圈中無電流時, EVGB-10 允許油液從 1 自由流向油口 3. 線圈通電時, 2 將連至 1. 控制(減壓)壓力將隨著線圈中電流的增大而成比例地增大. 如果 1 處的壓力超過線圈的設定壓力, 則在油口 3 溢流.

◆ PERFORMANCE 特性曲線



◆ SPECIFICATIONS 規 格

Model Number 型式號碼	Maximum Pressure 最大壓力 bar	Maximum Flow 最大流量 lpm	Rated Current 額定電流 mA	Voltage 電壓 VDC	Weight 重量 Kg
EVGB-10	210 (3046psi)	10 (2.64 gpm)	2000±10%	12	0.3 (0.66 lbs)
			1000±10%	24	
Fluid Type 流體型式			ISO VG 32 , 46 , 68		
Viscosity 黏性 cSt			10~400 (59~1854 SSU)		
Operating Temperature 操作溫度 °C			-15~70 (-5~158 °F)		
Contamination Level 污染標準			ISO4406. 21/19/16 NAS1638,10		

◆ HOW TO ORDER 編號說明

1	2	3
EVGB	10	02

1 VALVE SERIES 系列名稱

EVGB=Proportional Reducing / Relieving Valves (Direct-Acting) 比例減泄壓閥(直動式)

2 SUBPLATE MOUNTING SIZE 稱呼口徑

Size:10
Cavity 孔口 : CS10-3N
See Page Appendixes-A_002
見附錄A_002 頁面

3 ADJUSTMENT PRESSURE 壓力調整範圍

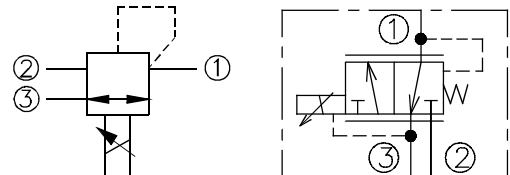
Order 編號	Adjustment pressure 壓力調整範圍
02	2 ~ 22 (bar)

◆ TYPE OF COIL 線圈類型

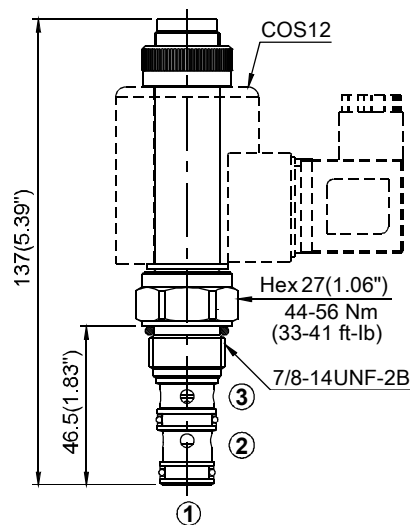
Model number 型式編號 : COS12
See Appendixes-D
見附錄 D

- Coils must be ordered separately
線圈必須分開訂購

◆ CONTROL PORT(S) 動作形式



◆ DIMENSIONS 外型尺寸圖



- Allowed Back Pressure at port 3 (T) : 5 bar (73 psi)max.
允許背壓在孔口3 (T) : 最大5bar(73psi)