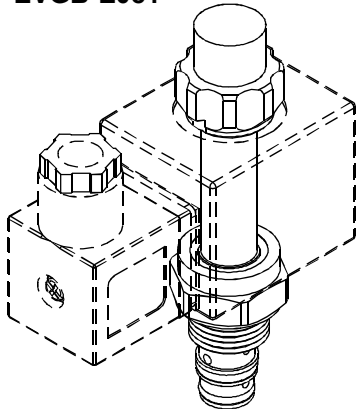


◆ MODEL 型式

EVGB-E081



◆ DESCRIPTION 說明

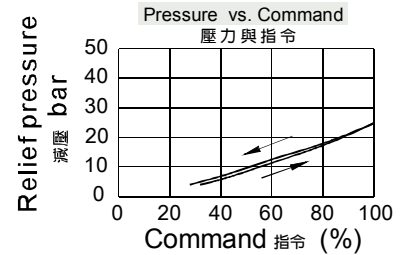
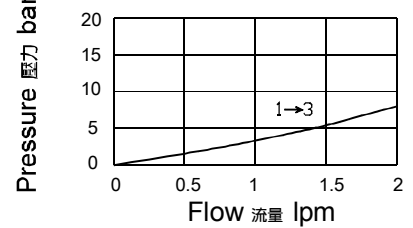
Direct acting, spool-type reducing/relieving valve, which can be infinitely adjusted across a prescribed range using a variable electric input. Pressure output is proportional to DC current input. This valve is intended for use as a pressure control device in demanding applications.

The EVGB-E081 allows free flow from 1 to 3 when no current is applied to the coil. When the coil is energized, 2 is connected to 1. Increasing current applied to the coil will increase the control (reduced) pressure proportionally. If pressure at 1 exceeds the setting induced by the coil, pressure from 1 is relieved to 3.

直動滑軸式減壓/溢流閥,利用可變電輸入可實現指定範圍內的連續調節.輸出壓力與DC電流輸入成比例.該閥在設備中可用作壓力控制裝置.

線圈中無電流時,EVGB-E081允許油液從1自由流向油口3.線圈通電時,2將連至1.控制(減壓)壓力將隨著線圈中電流的增大而成比例地增大.如果1處的壓力超過線圈的設定壓力,則在油口3溢流.

◆ PERFORMANCE 特性曲線



◆ SPECIFICATIONS 規格

Model Number 型式號碼	Maximum Inlet Pressure In 2 最大入口壓力在2號口 Bar	Reduced Pressure In 1 減壓在1號口 Bar	Rated Flow 額定流量 lpm	Rated Current 額定電流 mA	Voltage 電壓 VDC	Weight 重量 Kg
EVGB-E081	350 (5076 psi)	4~25 (58~363 psi)	2 (0.53 gpm)	1700±10% 850±10%	12 24	0.14 (0.31 lbs)
Fluid Type 流體型式			ISO VG 32, 46, 68			
Viscosity 黏性 cSt			10~400 (59~1854 SSU)			
Operating Temperature 操作溫度 °C			-30~100 (-22~212°F)			
Contamination Level 污染標準			ISO4406.20/18/15 NAS1638.9			

◆ HOW TO ORDER 編號說明

1	2
EVGB	E081

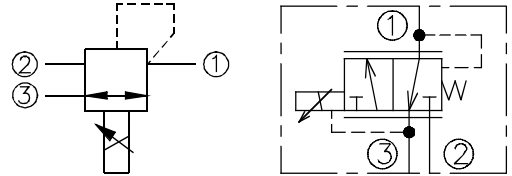
1 VALVE SERIES 系列名稱

EVGB=Proportional Reducing/ Relieving Valves
(Direct-Acting) 比例減泄壓閥(直動式)

2 SUBPLATE MOUNTING SIZE 稱呼口徑

E081 : E-081
Cavity 孔口 : CSE 081-2N
For Manifold See Appendices-B 油路板見附錄B

◆ CONTROL PORT(S) 動作形式

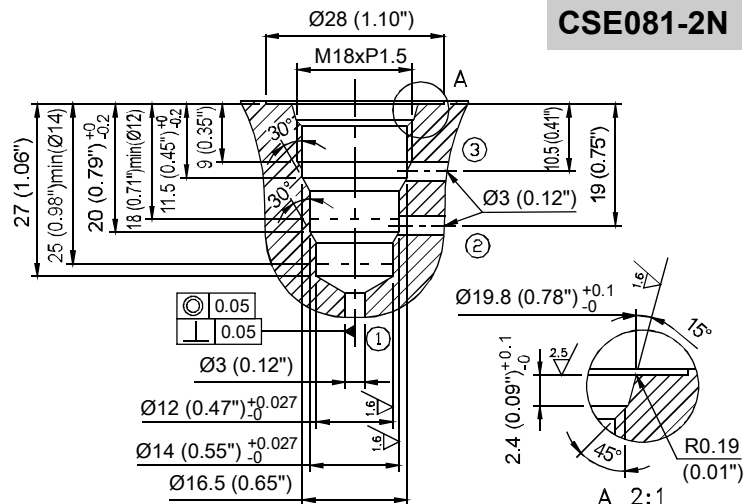
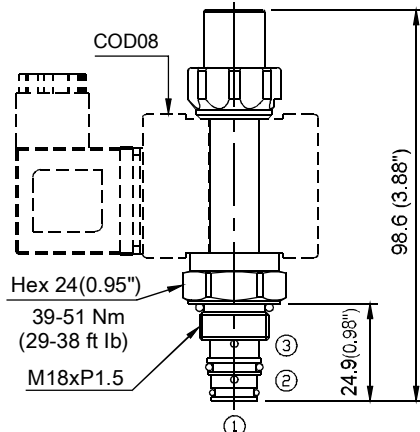


◆ TYPE OF COIL 線圈類型

Model number 型式編號 : COD08
See Appendices-D
見附錄D

- Coils must be ordered separately
線圈必須分開訂購

◆ DIMENSIONS 外型尺寸圖



CSE081-2N

- Allowed Back Pressure at port 3 (T) : 5 bar (73 psi) max.
允許背壓在孔口3 (T) : 最大5bar(73psi)