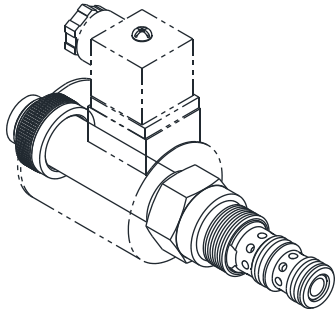


# PROPORTIONAL VALVES 比例閥

EVGR SERIES PROPORTIONAL BALANCE VALVES (Pilot Operated Reducing/Relieving Valves) EVGR 系列比例平衡閥(導壓操作減泄壓閥)

## MODEL 型式

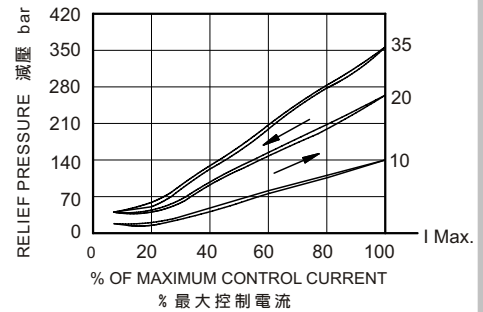
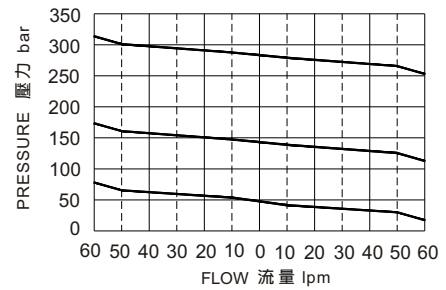
EVGR-10



## DESCRIPTION 說明

Pilot-operated, reducing/relieving valve, which can be infinitely adjusted across a prescribed range using a variable electric input. Pressure output is proportional to DC current or voltage input. This item blocks flow from ② to ① until sufficient pressure is present at ① to open the pilot section by offsetting the electrically induced solenoid force. Increasing electric current or voltage will increase the control (reduced) pressure at ①. Port ③ is typically connected to the reservoir. If external load increases the pressure at ① beyond this setting, pressure is relieved by allowing flow from ① to ③. 先導式減壓/溢流閥，利用可變電輸入可實現指定範圍內的連續調節。輸出壓力與直流電流或電壓輸入成正比。②流向①的流量，直到油口①獲得充分的壓力通過抵消電磁驅動力量來打開先導部分。增加電流或電壓將增加①處的控制(減壓)壓力。油口③主要連接到儲油箱，如果外部負載使①處的壓力超過該設定值，油液將①從③流向。

## PERFORMANCE 特性曲線



## SPECIFICATIONS 規格

Model Number 型式號碼	Maximum Pressure 最大壓力 bar	Maximum Flow 最大流量 lpm	Rated Current 額定電流 mA	Voltage 電壓 VDC	Weight 重量 Kg
EVGR-10	350 (5076psi)	60 ( 15.85 gpm)	1700±10%	12	0.35 (0.77 lbs)
			850±10%	24	
Fluid Type 流體型式			ISO VG 32 , 46 , 68		
Viscosity 黏性 cSt			10~400 (59~1854 SSU)		
Operating Temperature 操作溫度 °C			-15~70 (-5~158 °F)		
Contamination Level 污染標準			ISO4406. 21/19/16 NAS1638,10		

## HOW TO ORDER 編號說明

1	2	3	4
EVGR	10	10	*

### 1 VALVE SERIES 系列名稱

EVGR = Proportional Balance Valves  
(Pilot Operated Reducing/Relieving Valves)  
比例平衡閥(導壓操作減泄壓閥)

### 2 SUBPLATE MOUNTING SIZE 稱呼口徑

Size:10  
Cavity 孔口 : CS10-3N  
See Page Appendixes-A\_002 見附錄A\_002 頁面

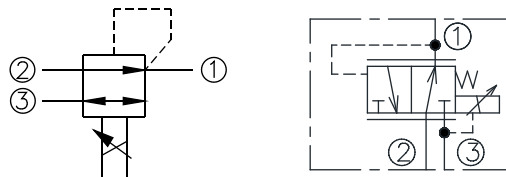
### 3 ADJUSTMENT PRESSURE 壓力調整範圍

Order 編號	Adjustment pressure 壓力調整範圍
04	5 ~ 40 (bar)
07	5 ~ 70 (bar)
09	9 ~ 105 (bar)
10	15 ~ 140 (bar)
25	20 ~ 210 (bar)
35	35 ~ 350 (bar)

### 4 ADJUSTMENT OPTION 調整選擇

Non	Y	S
Non:Standard 無記號：標準型	Y:Push Style Manual Override 推壓型－ 手動操作復位	S:Twist Style Manual Override 旋緊型－ 手動操作復位

## CONTROL PORT(S) 動作形式



## TYPE OF COIL 線圈類型

Model number 型式編號 : COS12  
See Appendixes-D  
見附錄 D

● Coils must be ordered separately  
線圈必須分開訂購

## DIMENSIONS 外型尺寸圖

