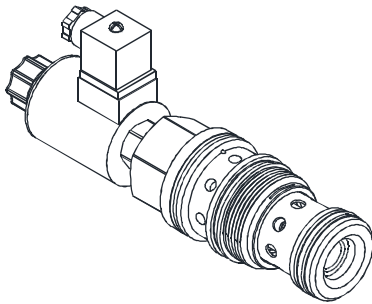


PROPORTIONAL VALVES 比例閥

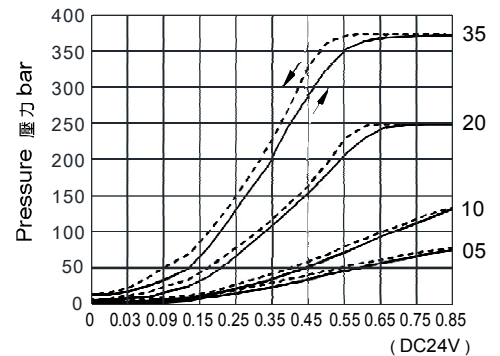
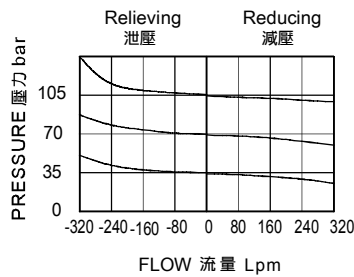
EVRB SERIES PROPORTIONAL BALANCE VALVES (Pilot Operated Reducing/Relieving Valves) EVRB 系列比例平衡閥(導壓操作減泄壓閥)

◆ MODEL 型式

EVRB-10



◆ PERFORMANCE 特性曲線



◆ DESCRIPTION 說明

This valve is a normally open modulating element that incorporates an integral pilot control cavity. The valve reduces a high primary pressure at the inlet (port 2) to a constant reduced pressure at port 1, with a full flow relief function from port 1 to tank (port 3).

先導級控制插孔的常開調節元件。減壓閥將進口(口2)高壓主油路壓力調節減至口1所需的減壓壓力，同時具備從口1到油箱(口3)的全流量溢流功能。

◆ SPECIFICATIONS 規格

Model Number 型式號碼	Maximum Pressure 最大壓力 bar	Maximum Flow 最大流量 lpm	Rated Current 額定電流 mA	Voltage 電壓 VDC	Weight 重量 Kg
EVRB-10	350 (5076psi)	320 (84.54 gpm)	1300±10%	12	1.30 (2.87 lbs)
			650±10%	24	
Fluid Type 流體型式			ISO VG 32, 46, 68		
Viscosity 黏性 cSt			10~400 (59~1854 SSU)		
Operating Temperature 操作溫度 °C			-15~70 (-5~158 °F)		
Contamination Level 污染標準			ISO4406. 21/19/16 NAS1638,10		

◆ HOW TO ORDER 編號說明

1	2	3
EVRB	10	*

1 VALVE SERIES 系列名稱

EVRB=Proportional Balance Valves
(Pilot Operated Reducing/Relieving Valves)
比例平衡閥(導壓操作減泄壓閥)

2 SUBPLATE MOUNTING SIZE 稱呼口徑

10:T-19A
Cavity 孔口:CST-19A
See Page Appendixes-A_007
見附錄 A_007 頁面

3 ADJUSTMENT PRESSURE 壓力調整範圍

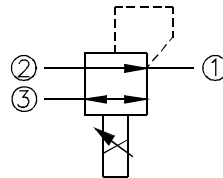
Order 編號	Adjustment pressure 壓力調整範圍
05	4 ~ 50 (bar)
10	10 ~ 105 (bar)
20	20 ~ 210 (bar)
35	35 ~ 350 (bar)

◆ TYPE OF COIL 線圈類型

Model number 型式編號: COT08
See Appendixes-D
見附錄 D

- Coils must be ordered separately
線圈必須分開訂購

◆ CONTROL PORT(S) 動作形式



◆ DIMENSIONS 外型尺寸圖

