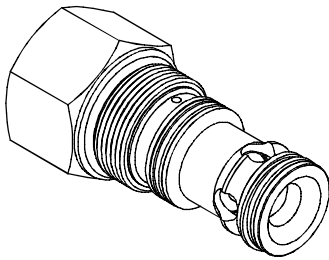
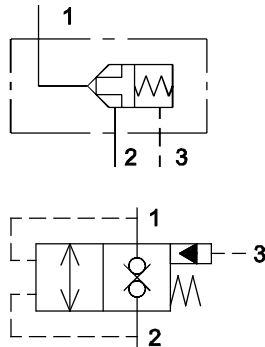


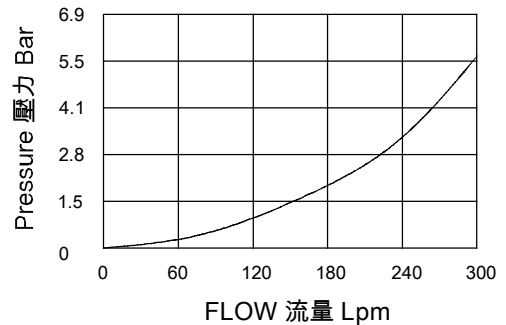
### ◆ MODEL 型式 VLC-20



### ◆ CONTROL PORT(S) 動作形式



### ◆ PERFORMANCE 特性曲線



### ◆ DESCRIPTION 說明

A poppet-type, hydraulic directional element, with multi-function potential when used with other directional, pressure, or flow control devices.

Poppet valve which will block ① to ② or ② to ① until pressure at ① or ② exceeds the cumulative pressure at ③ and bias spring. With no pressure at ③, flow will be allowed from ① to ② or ② to ① once the bias spring force is overcome with pressure at ① or ②. When the element is in closed state, the ratio of areas ① and ② is 1:1, and the ratio of areas ① or ② to ③ is 1:2.

錐閘液控方向元件；與其他方向、壓力或流量控制元件配合使用時可實現多種功能。

其截止油液從 ① 流向 ② 或從 ② 流向 ①，直到 ① 處或 ② 處的壓力超過 ③ 處的總壓力和彈簧預壓力之和時，閘芯才打開。當 ③ 處無壓力時，一旦 ① 處或 ② 處的壓力超過彈簧預壓力，油液將從 ① 流向 ② 或從 ② 流向 ①，當元件處於閉合狀態時，① 和 ② 的面積比為 1:1，① 或 ② 與 ③ 的面積比為 1:2。

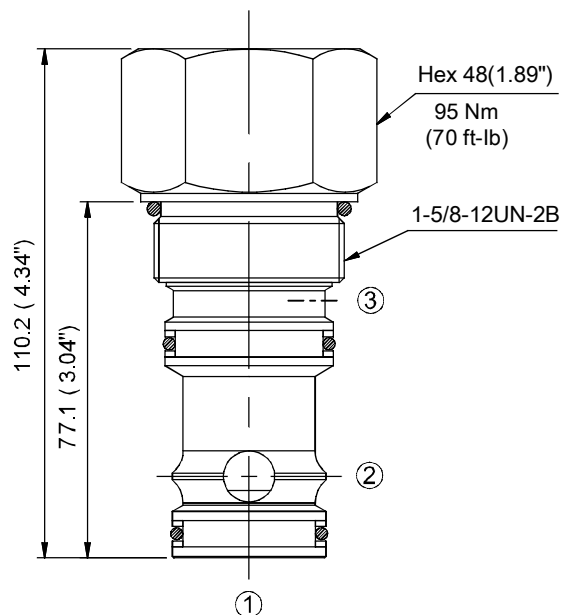
### ◆ SPECIFICATIONS 規格

Model Number 型式號碼	Operating Pressure 操作壓力 bar	Ratio Of Poppet Area 面積比	Flow 流量 lpm	Weight 重量 Kg
VLC-20	350 (5076psi)	2 : 1	300 (79.25 gpm)	0.82 (1.81 lbs)
Fluid Type 流體型式		ISO VG 32, 46, 68		
Viscosity 黏性 cSt		10~400 (59~1854 SSU)		
Operating Temperature 操作溫度 °C		-15~70 (-5~158°F)		
Contamination Level 污染標準		ISO4406. 21/19/16 NAS1638,10		

### ◆ HOW TO ORDER 編號說明

1	2	3
VLC	20	— 20

### ◆ DIMENSIONS 外型尺寸圖



#### 1 VALVE SERIES 系列名稱

VLC= CARTRIDGE LOGIC VALVES  
插入式邏輯閥

#### 2 PORTING 閥口

Size: 20  
Cavity 孔口: CS20-3S  
See Page Appendixes-A\_003  
見附錄A\_003 頁面

#### 3 CRACKING PRESSURE 彈簧壓力

20 : 2.8 bar (40psi)  
50 : 5.5 bar (80psi)  
110: 11 bar (160psi)