

# SINGLE GEAR PUMPS

單聯齒輪泵

HGP-1A Series

PUMPS



## ◆ SPECIFICATIONS 規格

Model 產品型號	Displacement cc/rev 吐油量	Pressure bar (psi) 壓力		Speed (rpm) 轉速			Weight kg 重量							
		Work 工作	Max. 最高	Rate	Max.	Min.								
HGP-1A-F0.5*	0.5	210 (3000)	250 (3500)	1800	4500	1000	1.0							
HGP-1A-F0.8*	0.8				4500	600		1.05						
HGP-1A-F1*	1				4500	1000			1.0					
HGP-1A-F2*	2				4500	600				1.05				
HGP-1A-F3*	3				4500	600					1.15			
HGP-1A-F4*	4				4000	600						1.18		
HGP-1A-F5*	5				3200	600							1.2	
HGP-1A-F6*	6				3200	600								1.3
HGP-1A-F8*	7.8				3200	600								

Remark: HGP-1A-f08\*2.6\* available on request.

附註: HGP-1A-F08\*2.6\* 為特殊規格, 接受訂製

## ◆ HOW TO ORDER 編號說明

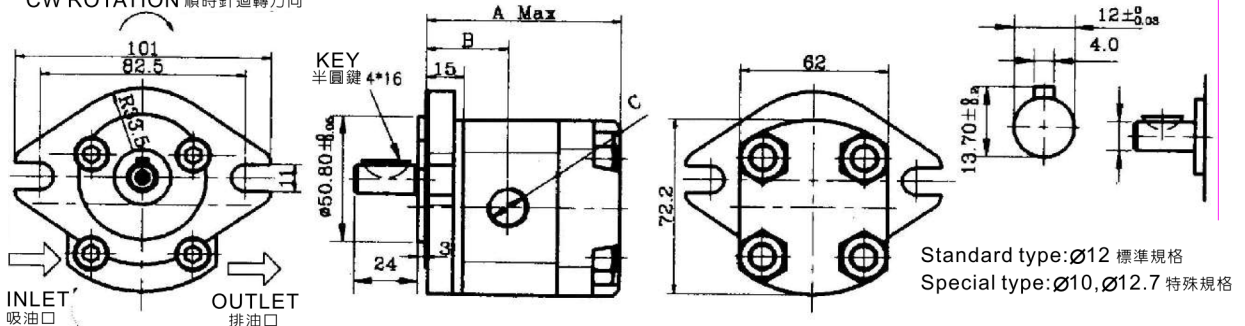
<b>1</b>	<b>2</b>	<b>3</b>	<b>4</b>	<b>5</b>	<b>6</b>	<b>7</b>	<b>8</b>
HGP	1A	F	08	R	X	2B	10

- MODEL 產品型號**  
Hydramax Gear Pump 齒輪泵
- GROUP 尺碼款式**  
1A Group 1A 款式
- MOUNTING 固定方式**  
F: Flange Type 法蘭型式  
L: Foot Type 腳座型式
- DISPLACEMENT 吐油量**  
0.5: 0.5 cc/rev    4: 4 cc/rev  
0.8: 0.8 cc/rev    5: 5 cc/rev  
1: 1 cc/rev        6: 6 cc/rev  
2: 2 cc/rev        8: 7.8 cc/rev  
3: 3 cc/rev
- ROTATIONAL DIRECTION 旋轉方向**  
(Viewed from shaft side 由心軸側視之)  
R: Clockwise 順時針  
L: Counter-clockwise 逆時針
- SHAFT TYPE 心軸型式**  
X: Straight Shaft 平行鍵  
Y: Spline Shaft 梅花鍵
- FLANGE MOUNTING TYPE 法蘭型式**  
2B: SAE 2-bolt 孔式  
4BD: DIN 4-bolt 孔式  
4DE: European 4-bolt 歐洲4孔式
- SERIAL NUMBER 系列號碼**  
10

## ◆ DIMENSIONS 外型尺寸圖

● HGP-1A-F\*-\*-2B-10 (SAE 2-Bolt)

CW ROTATION 順時針迴轉方向



# SINGLE GEAR PUMPS

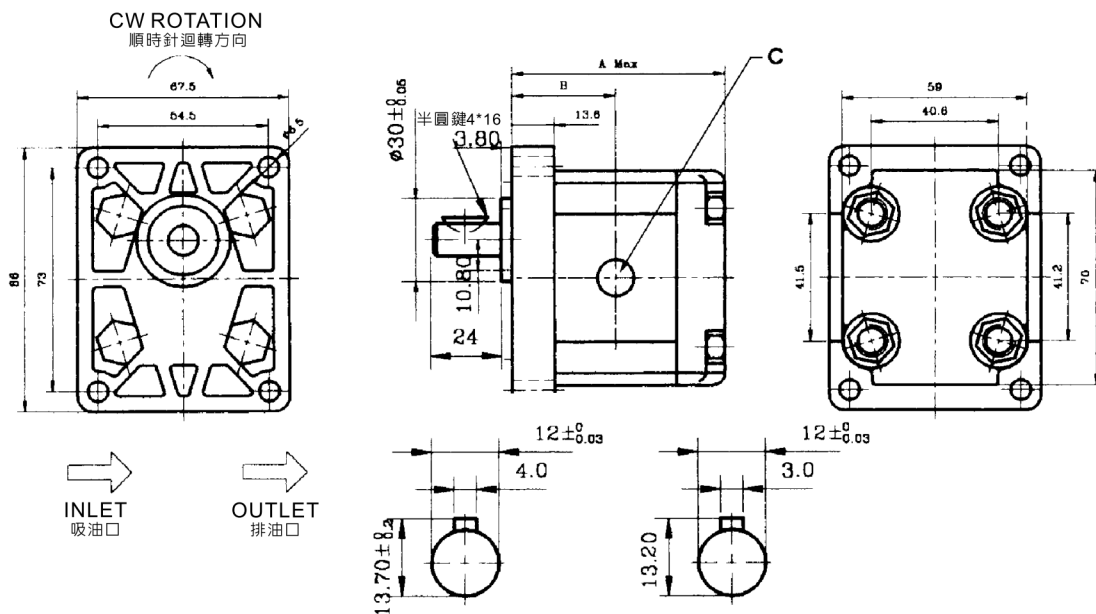
HGP-1A Series

單聯齒輪泵

PUMPS

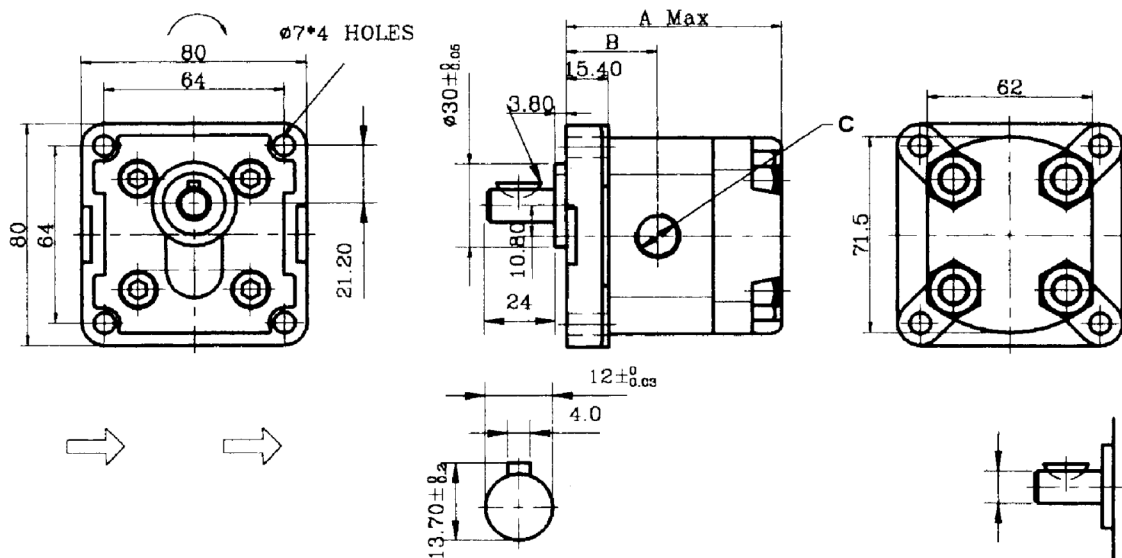
## ◆ DIMENSIONS 外型尺寸圖

- HGP-1A-F\*-\*-4DB-10 (DIN 4-Bolt)



## ◆ DIMENSIONS 外型尺寸圖

- HGP-1A-F\*-\*-4BE-10 (European 4-bolt 歐洲4孔式)



Model 產品型號	Dimension A(mm)	Dimension A(mm)	C - Inlet	D - Outlet
HGP-1A-F08*	75	36.5	3/8" PT	3/8" PT
HGP-1A-F1*	77	38.5	3/8" PT	3/8" PT
HGP-1A-F2*	80.5	40.25	3/8" PT	3/8" PT
HGP-1A-F3*	86	43	3/8" PT	3/8" PT
HGP-1A-F4*	88	44	3/8" PT	3/8" PT
HGP-1A-F5*	92	46	3/8" PT	3/8" PT
HGP-1A-F6*	96	48	3/8" PT	3/8" PT
HGP-1A-F8*	102	51	1/2" PT	3/8" PT

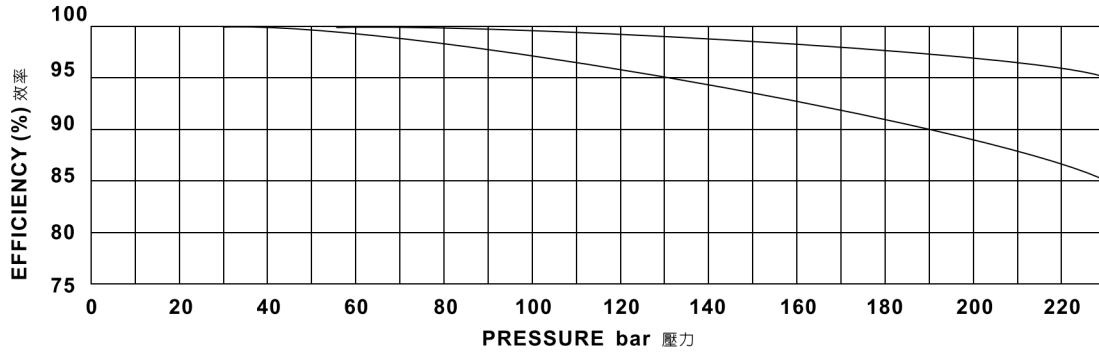
# SINGLE GEAR PUMPS

單聯齒輪泵

HGP-1A Series

## ◆ Performance Curves 性能曲線

### ● Pressure / Volumetric Efficiency 壓力/吐出效率



Remarks:

Test Conditions:

1. Oil Viscosity 45cSt

2. Oil Temperature 40°C

3. Speed 1500 rpm

備註:

此性能之測試條件為:

1. 油粘度 45cSt

2. 油溫 40°C

3. 轉速 1500 rpm

### ● Displacement / Power Input / Speed 吐出量/軸入力/轉速

