

### HOW TO ORDER 編號說明

<b>1</b>	<b>2</b>	<b>3</b>	<b>4</b>
GCS	— 08 —	2	N

#### 1 VALVE SERIES 系列名稱

GCS= GAG  
塞頭

#### 2 SUBPLATE MOUNTING SIZE 稱呼口徑

08= 3/4"-16 UNF  
10= 7/8"-14 UNF  
12= 1 1/16"-12 UNF  
16= 1 5/16"-12 UNF

#### 3 TYPE 型式

1 = 1-WAY  
2 = 2-WAY  
3 = 3-WAY  
4 = 4-WAY

#### 4 SEALS

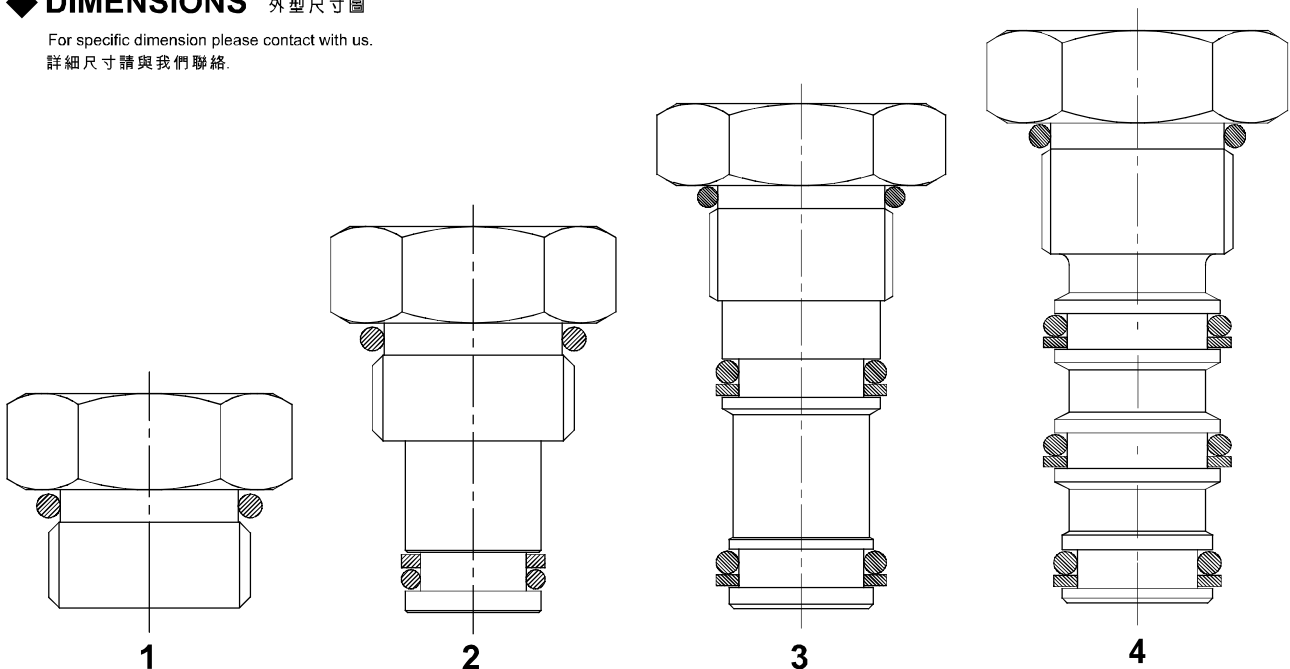
N = BUNA "N" 丁腈橡膠  
V = VITON 氟橡膠

### SPECIFICATIONS 規格

Model Number 型式號碼	O-RING O型環	O-RING O型環	O-RING O型環	O-RING 背托環	O-RING O型環	O-RING 背托環	O-RING O型環
GCS-08-2N	AS-908	AS-012					
GCS-08-3N	AS-908	AS-014	AS-013				
GCS-08-4N	AS-908	AS-014	AS-013	AS-012			
GCS-08-5N							
GCS-10-2N	AS-910	AS-014					
GCS-10-3N	AS-910	AS-015	AS-014				
GCS-10-4N	AS-910	AS-016	AS-015	AS-014			
GCS-10-5N	AS-910	AS-116	AS-015	AS-014	AS-013		
GCS-12-2N	AS-912	AS-115					
GCS-12-3N	AS-912	AS-019	AS-018				
GCS-12-4N	AS-912	AS-019	AS-018	AS-017			
GCS-12-5N	AS-912	AS-019	AS-018	AS-017	AS-016		
GCS-16-2N	AS-916	AS-119					
GCS-16-3N	AS-916	AS-119	AS-117				
GCS-16-4N	AS-916	AS-119	AS-118	AS-117			
GCS-16-5N	AS-916	AS-125	AS-119	AS-118	AS-117		

### DIMENSIONS 外型尺寸圖

For specific dimension please contact with us.  
詳細尺寸請與我們聯絡。



**HOW TO ORDER** 編號說明

<b>1</b>	<b>2</b>	<b>3</b>	<b>4</b>
GST	— 162A —	O	N

**1 VALVE SERIES** 系列名稱

GST=PLUG  
塞頭

**2 SUBPLATE MOUNTING SIZE**

稱呼口徑

Plugs for Two Port Cavities 2口插孔塞頭		Plugs for Three Port Cavities 3口插孔塞頭		Plugs for Four Port Cavities (Internal L.S.) 4口插孔塞頭 (內部定位肩部)		Plugs for Four Port Cavities (External L.S.) 4口插孔塞頭 (外部定位肩部)		Plugs for Six Port Cavities 6口插孔塞頭	
Order 編號	Threaded type 螺紋規格	Order 編號	Threaded type 螺紋規格	Order 編號	Threaded type 螺紋規格	Order 編號	Threaded type 螺紋規格	Order 編號	Threaded type 螺紋規格
8A	M16x1.5	9A	M16x1.5	21A	M20x1.5	31A	M20x1.5	61A	M20x1.5
162A	M16x1.5	163A	M16x1.5	22A	1.0-14UNS-2B	32A	1.0-14UNS-2B	62A	1.0-14UNS-2B
10A	M20x1.5	11A	M20x1.5	23A	M36x2.0	33A	M36x2.0	63A	M36x2.0
13A	M20x1.5	2A	1.0-14UNS-2B	24A	M48x2.0	34A	M48x2.0	64A	M48x2.0
3A	1.0-14UNS-2B	17A	M36x2.0						
5A	1.0-14UNS-2B	19A	M48x2.0						
16A	M36x2.0								
18A	M48x2.0								

**3 TYPE** 型式

Type 型式	Plugs for Two Port Cavities 2口插孔塞頭	Plugs for Three Port Cavities 3口插孔塞頭	Plugs for Four Port Cavities (Internal L.S.) 4口插孔塞頭 (內部定位肩部)	Plugs for Four Port Cavities (External L.S.) 4口插孔塞頭 (外部定位肩部)	Plugs for Six Port Cavities 6口插孔塞頭
<b>O</b> O = Main Ports Open 半塞					
<b>C</b> C = All Ports Blocked 全塞					

**4 SEALS**

N = BUNA "N" 丁靱橡膠  
V = VITON 氟橡膠

**DIMENSIONS** 外型尺寸圖

For specific dimension please contact with us.  
詳細尺寸請與我們聯絡。

